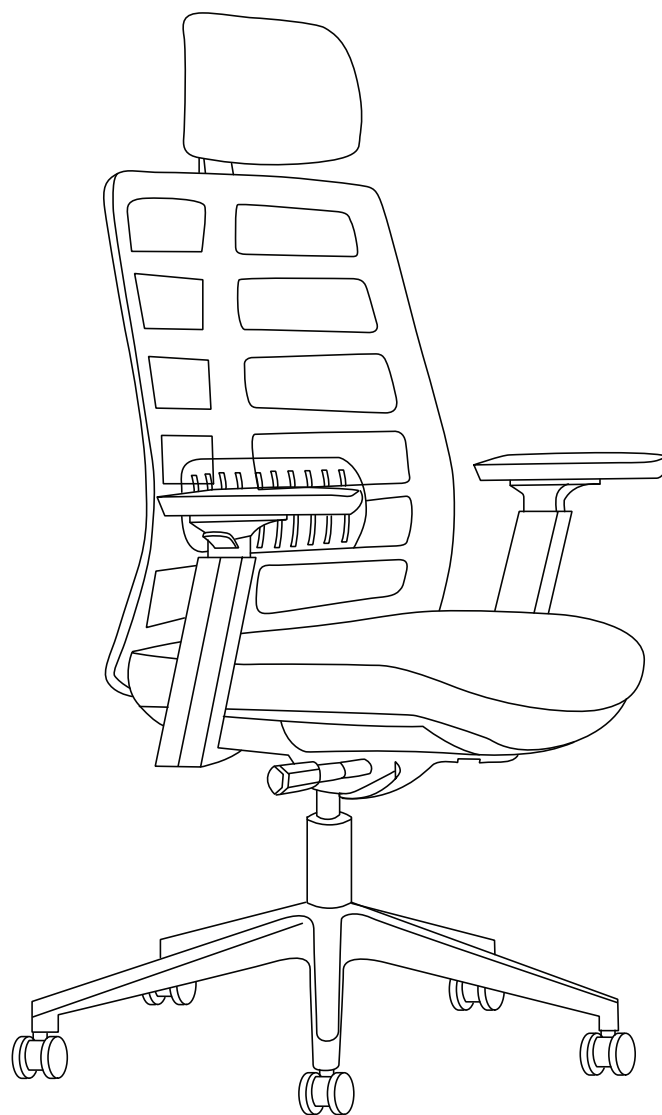
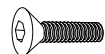
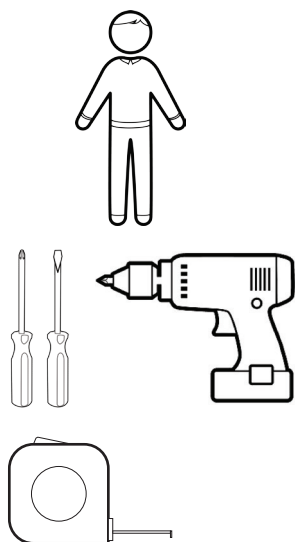
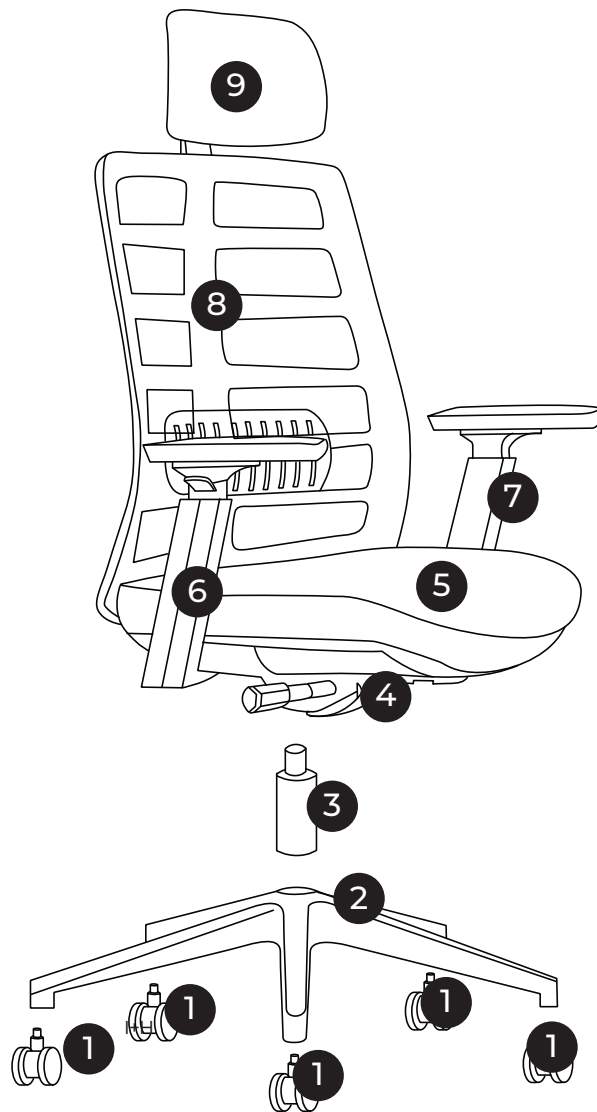


ECLIPTIC

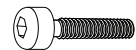
8006H 660 x 590 x 1160 mm



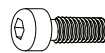
BEMONDI



A x2
 Ø 6 x 25 mm



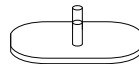
B x4
 Ø 6 x 30 mm



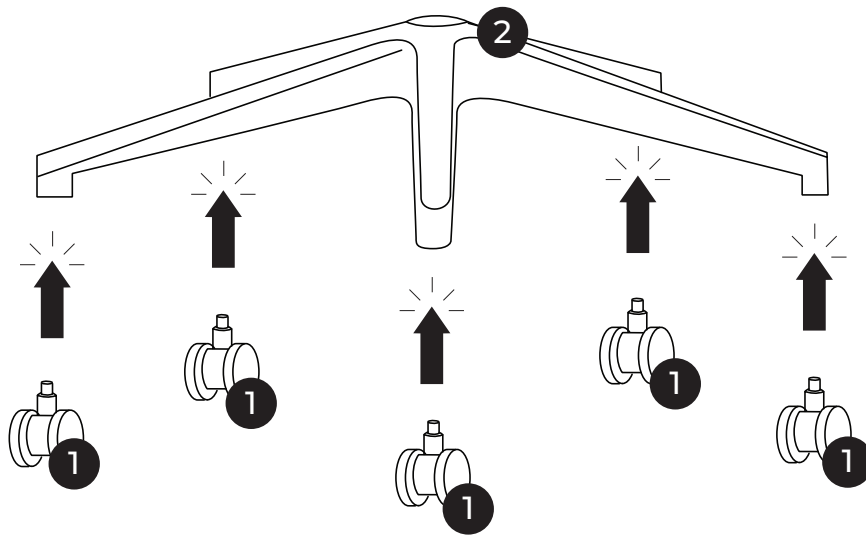
C x5
 Ø 8 x 20 mm



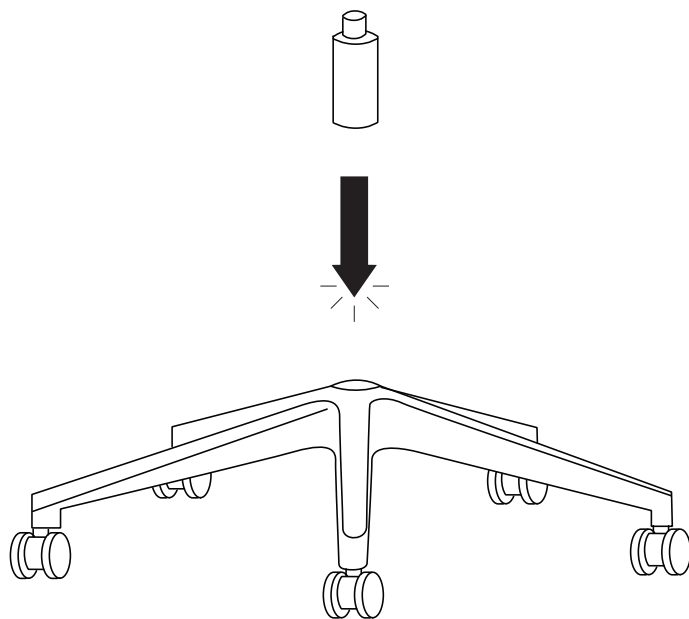
D x3
 Ø 8



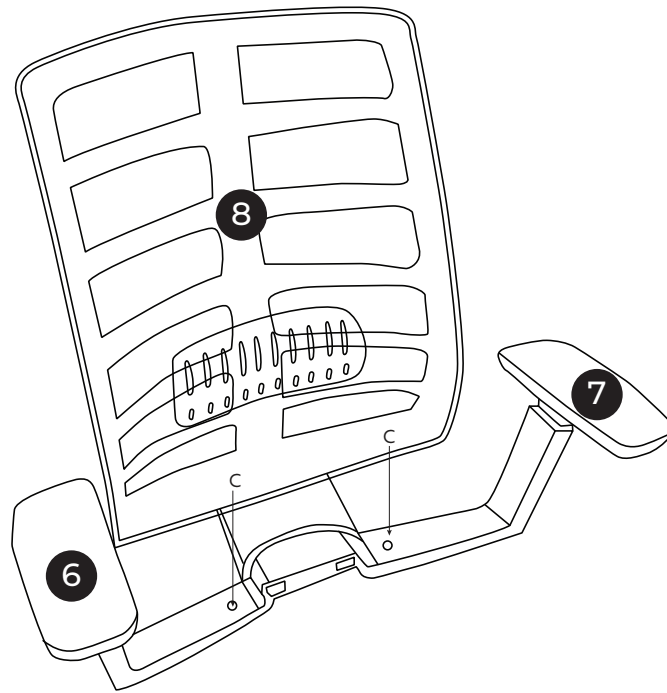
E x1
 35 x 13 mm

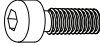


1

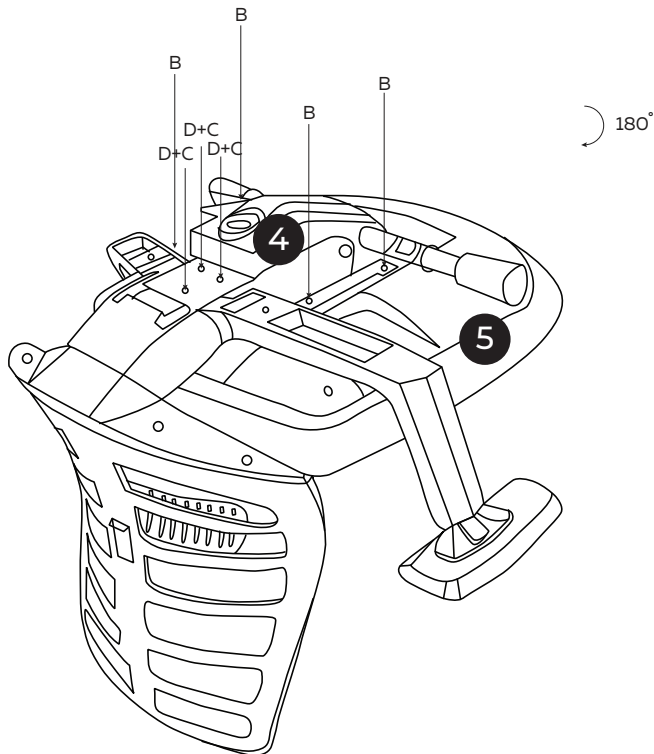
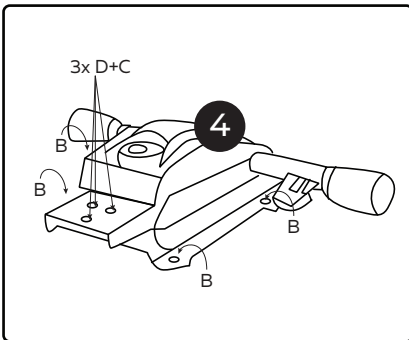


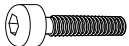
2

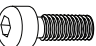


C  x2

3

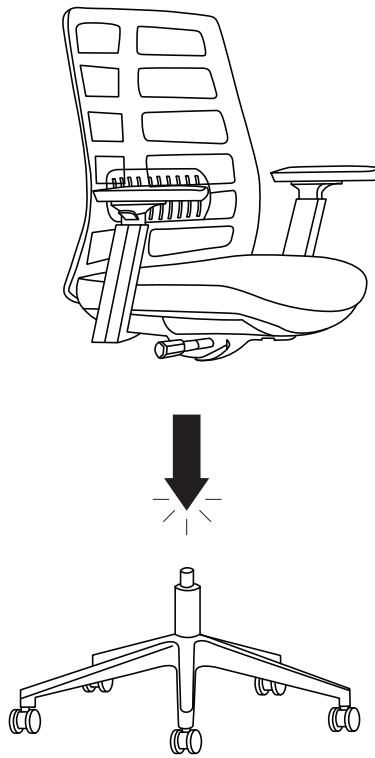


B  x4

C  x3

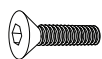
D  x3

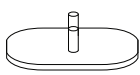
4



5



A  x2

E  x1

6

