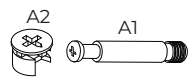
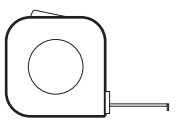
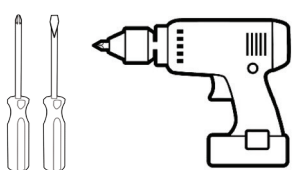
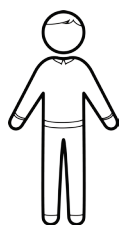
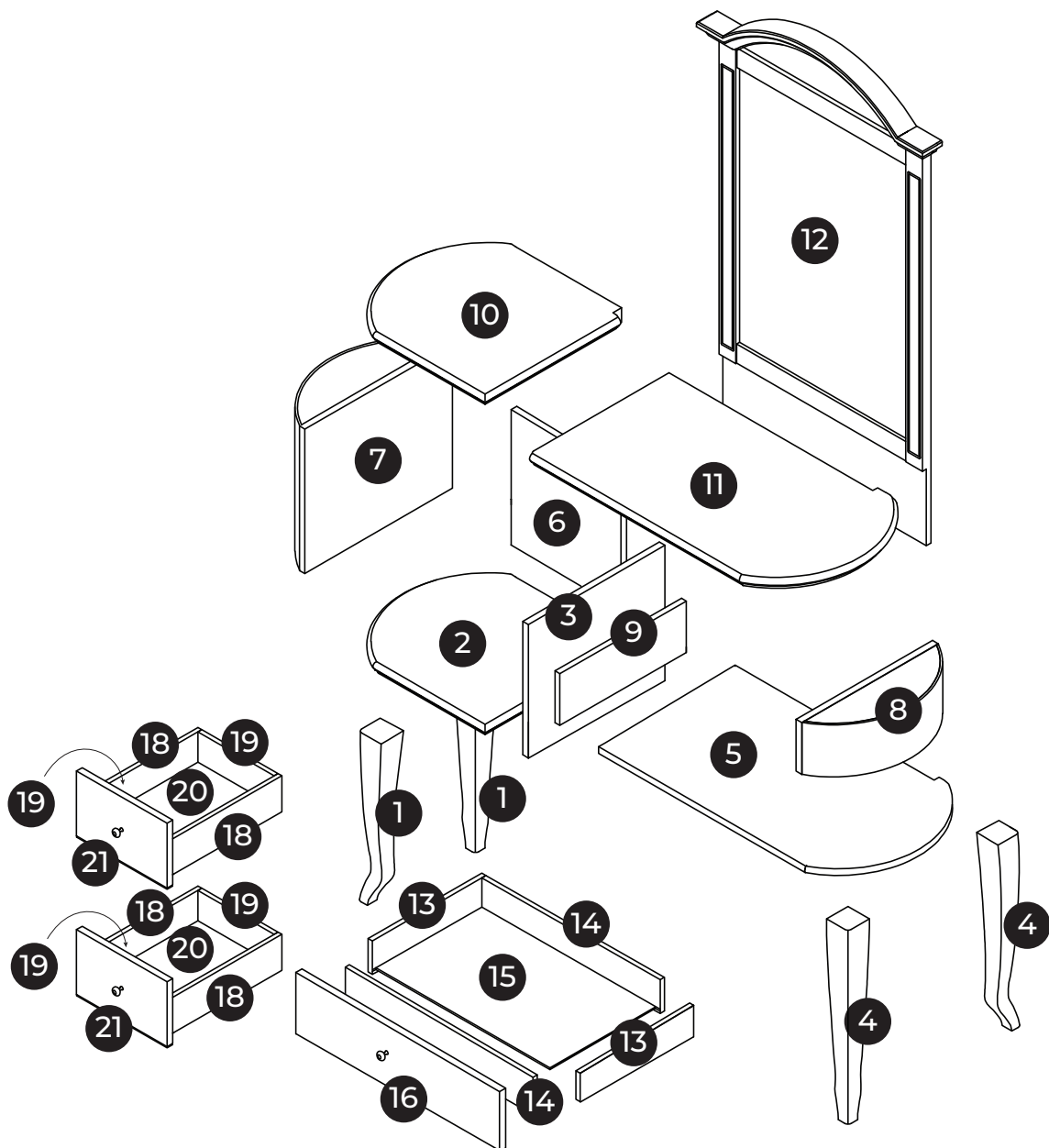


806

1280 x 450 x 1730 mm



BEMONDI



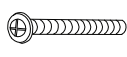
A x22
 Ø 15 mm



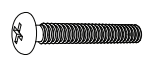
B x12
 Ø 8 x 30 mm



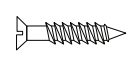
C x12
 Ø 3,5 x 12 mm



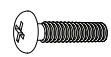
D x3
 Ø 4 x 20mm



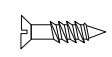
E x4
 Ø 6 x 45 mm



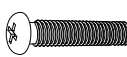
F x24
 Ø 3,5 x 30 mm



G x6
 Ø 6 x 20 mm



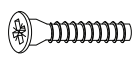
H x12
 Ø 3,5 x 15 mm



I x8
 Ø 8 x 40 mm



J x3



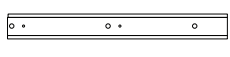
K x8
 Ø 7 x 38 mm



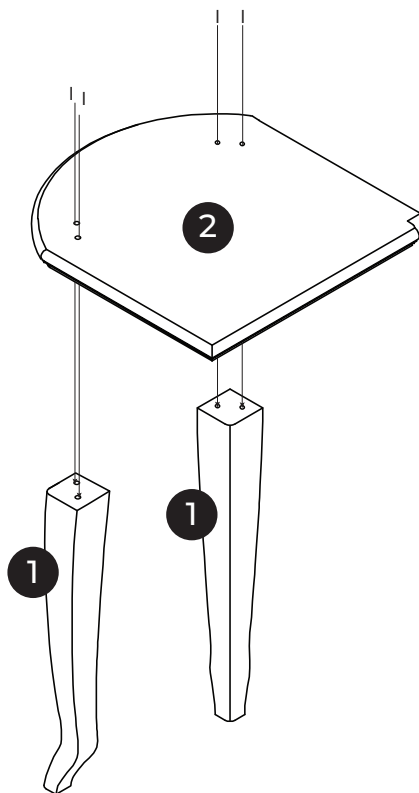
L x4




M x4

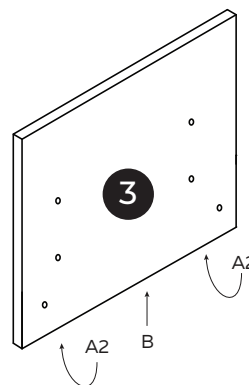
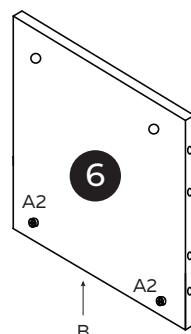
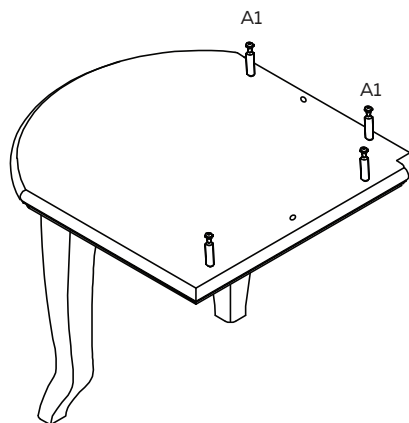
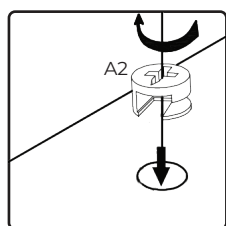
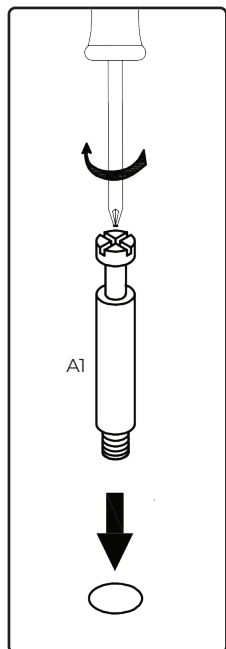




S x6
 300 x 35 mm



I  x4

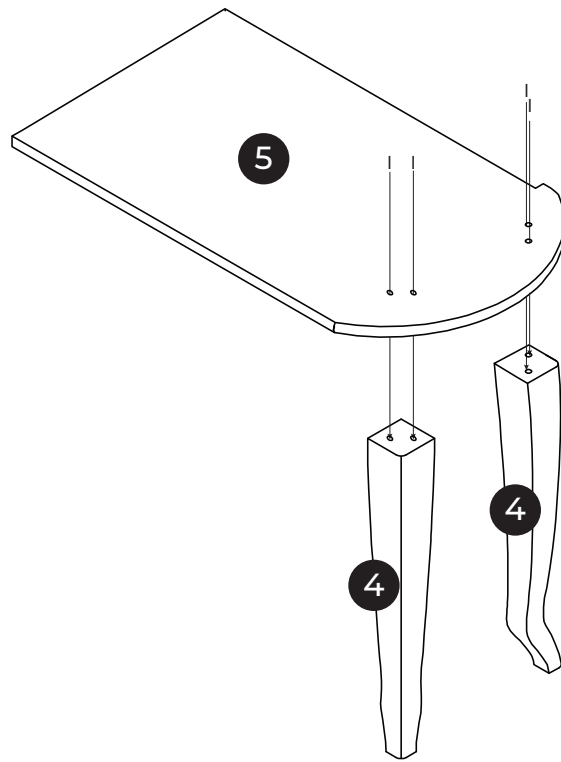
1

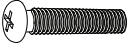


A   x4

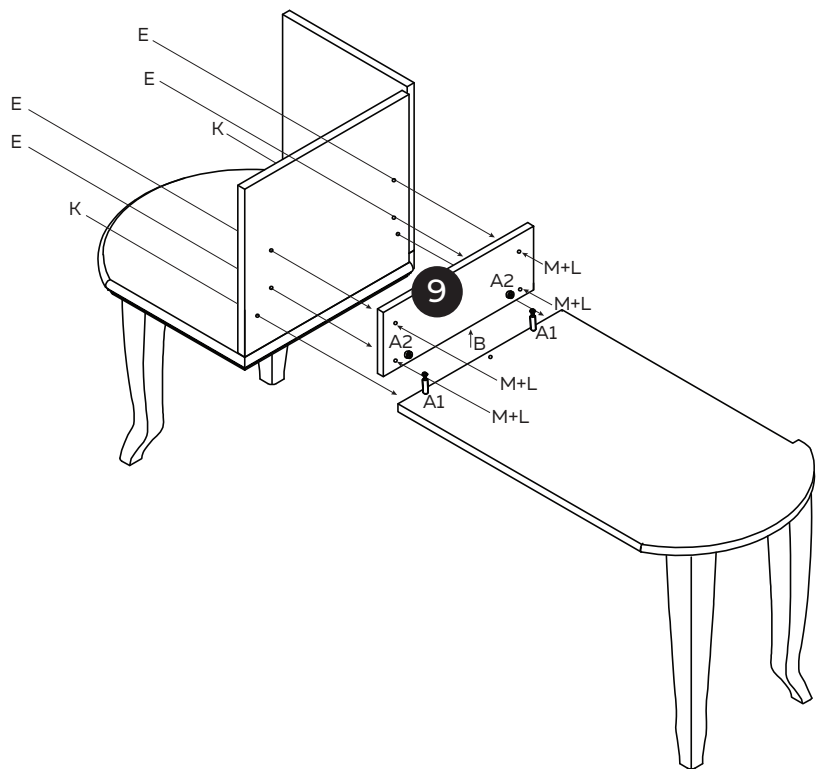
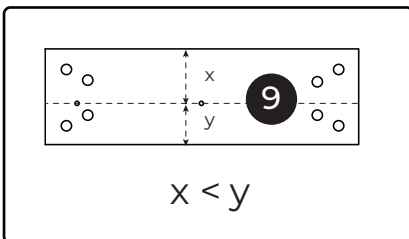
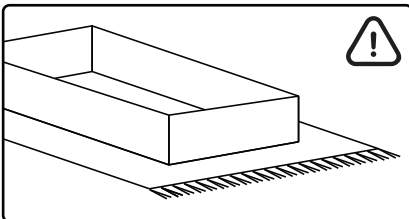
B  x2


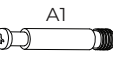
2




I  x4


3



A   x2

B  x1

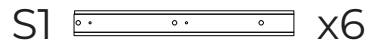
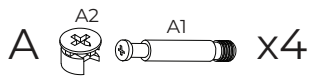
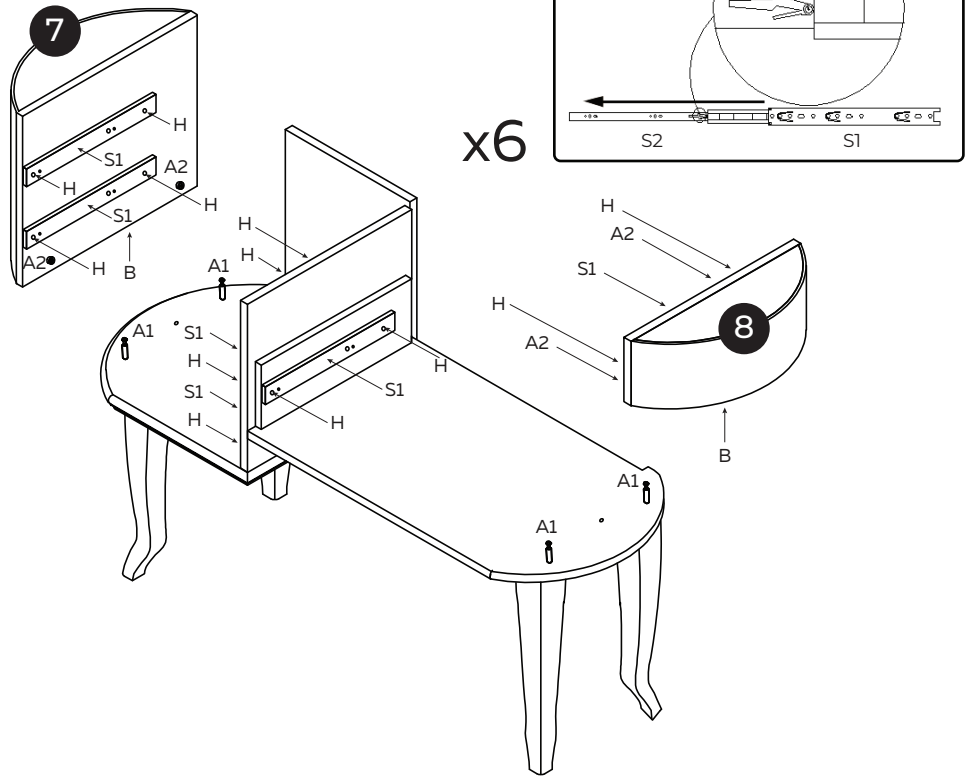
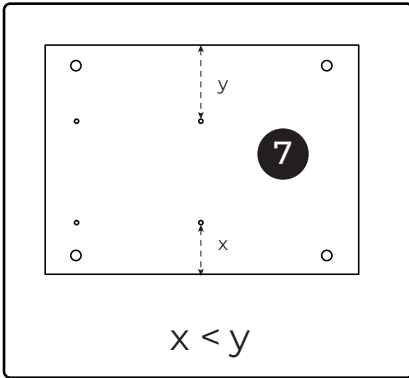
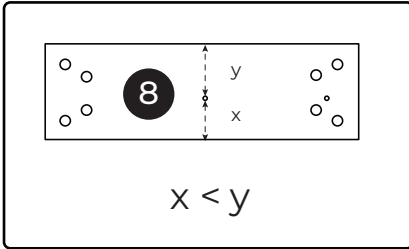
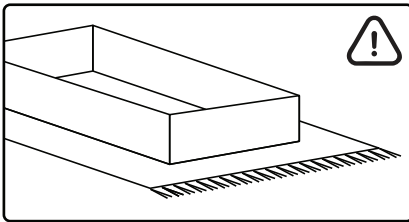
E  x4

K  x2

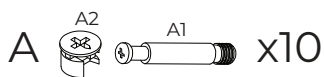
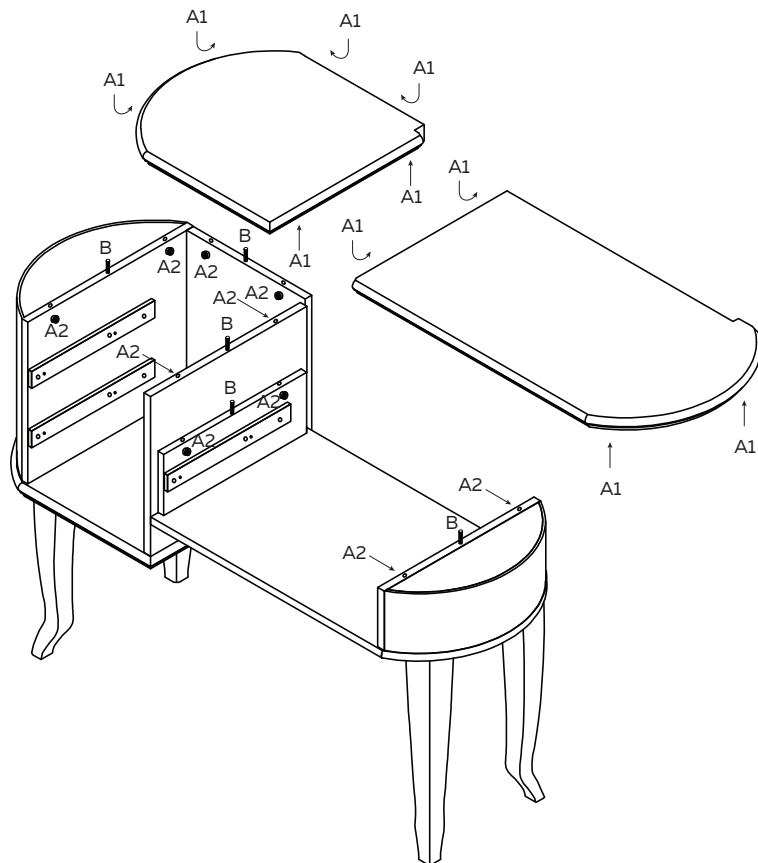
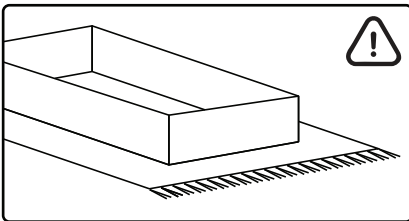
L  x4

M  x4

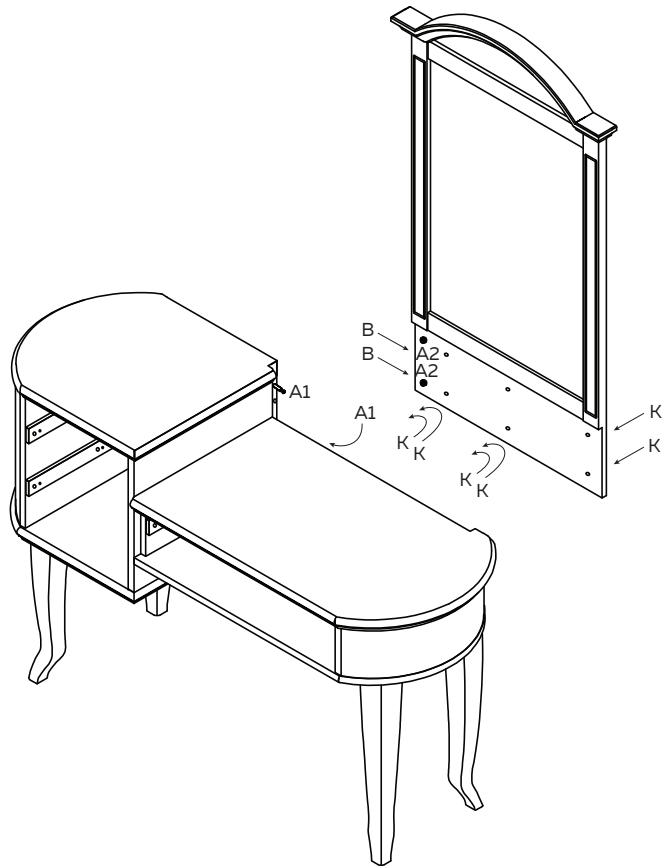
4


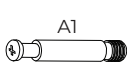


5

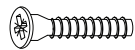


6

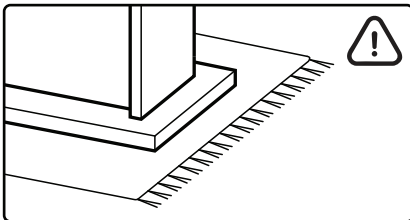
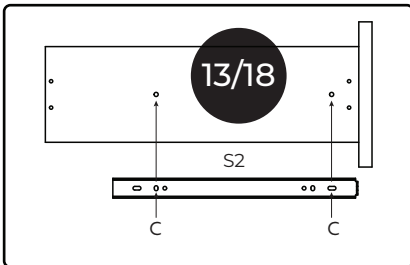


A   x2

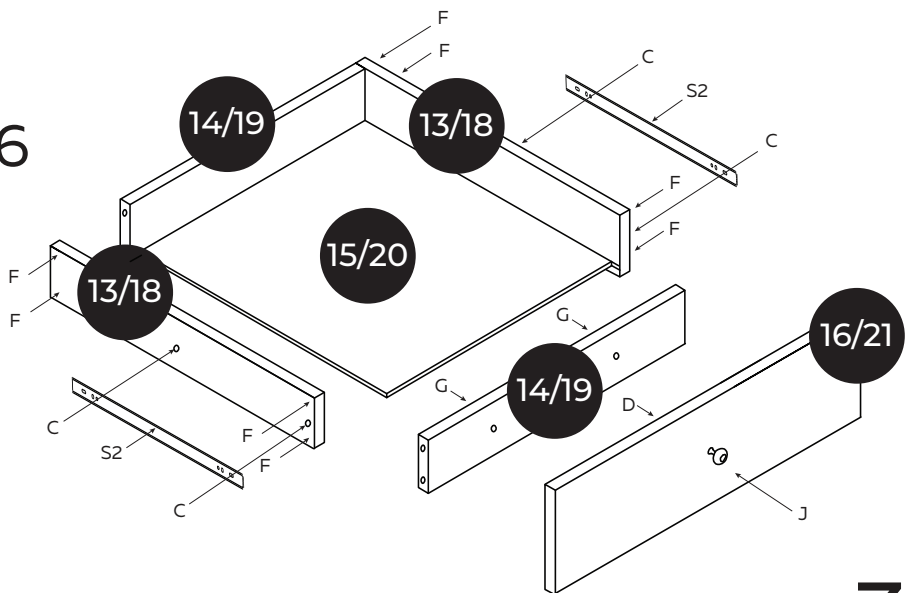
B  x2

K  x6

7




x6

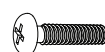


x3

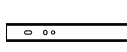
C  x12

D  x3

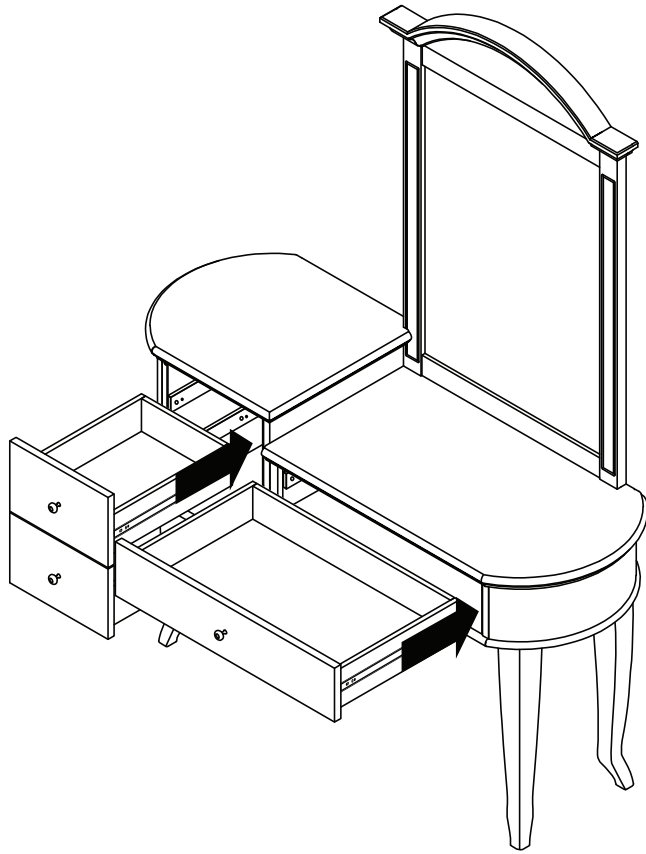
F  x24

G  x6

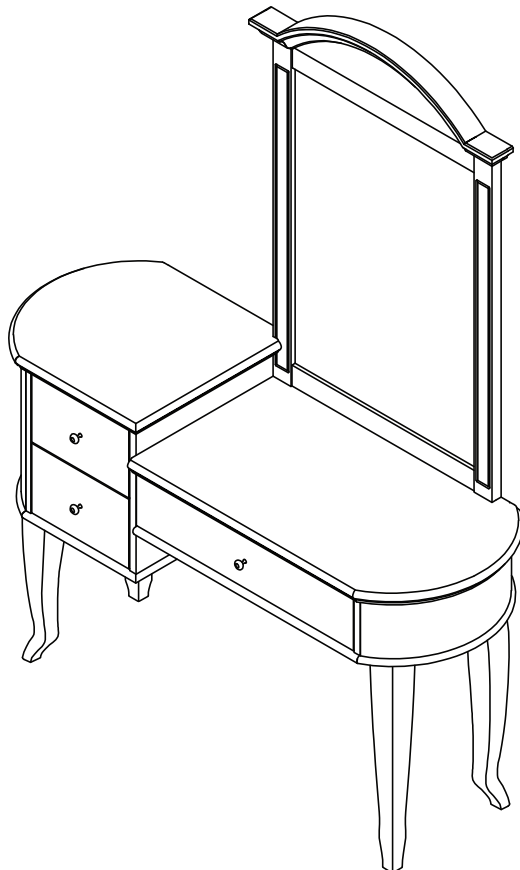
J  x3

S2  x6

8



7



8