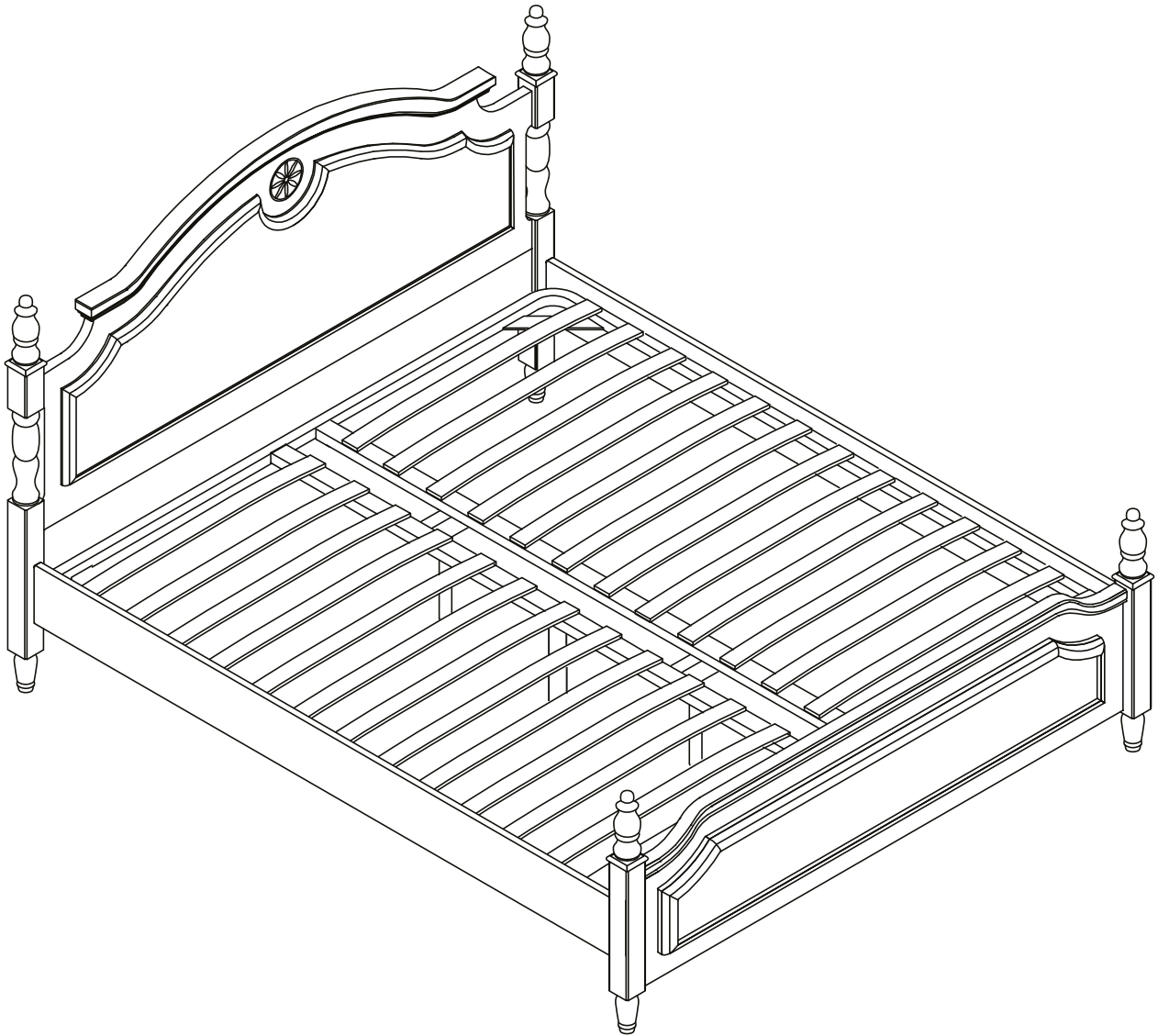


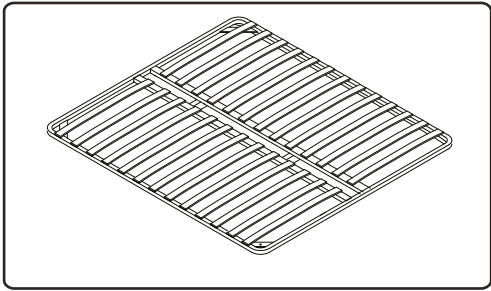
# 808

**160 x 200** 2120 x 1720 x 1300 mm

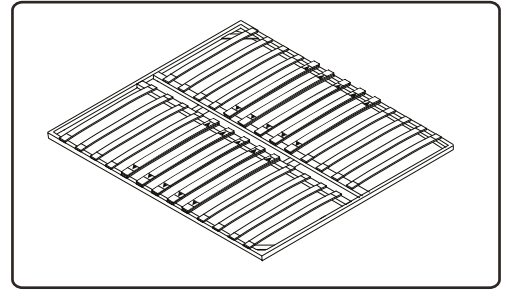
**180 x 200** 2120 x 1920 x 1300 mm



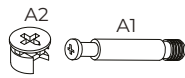
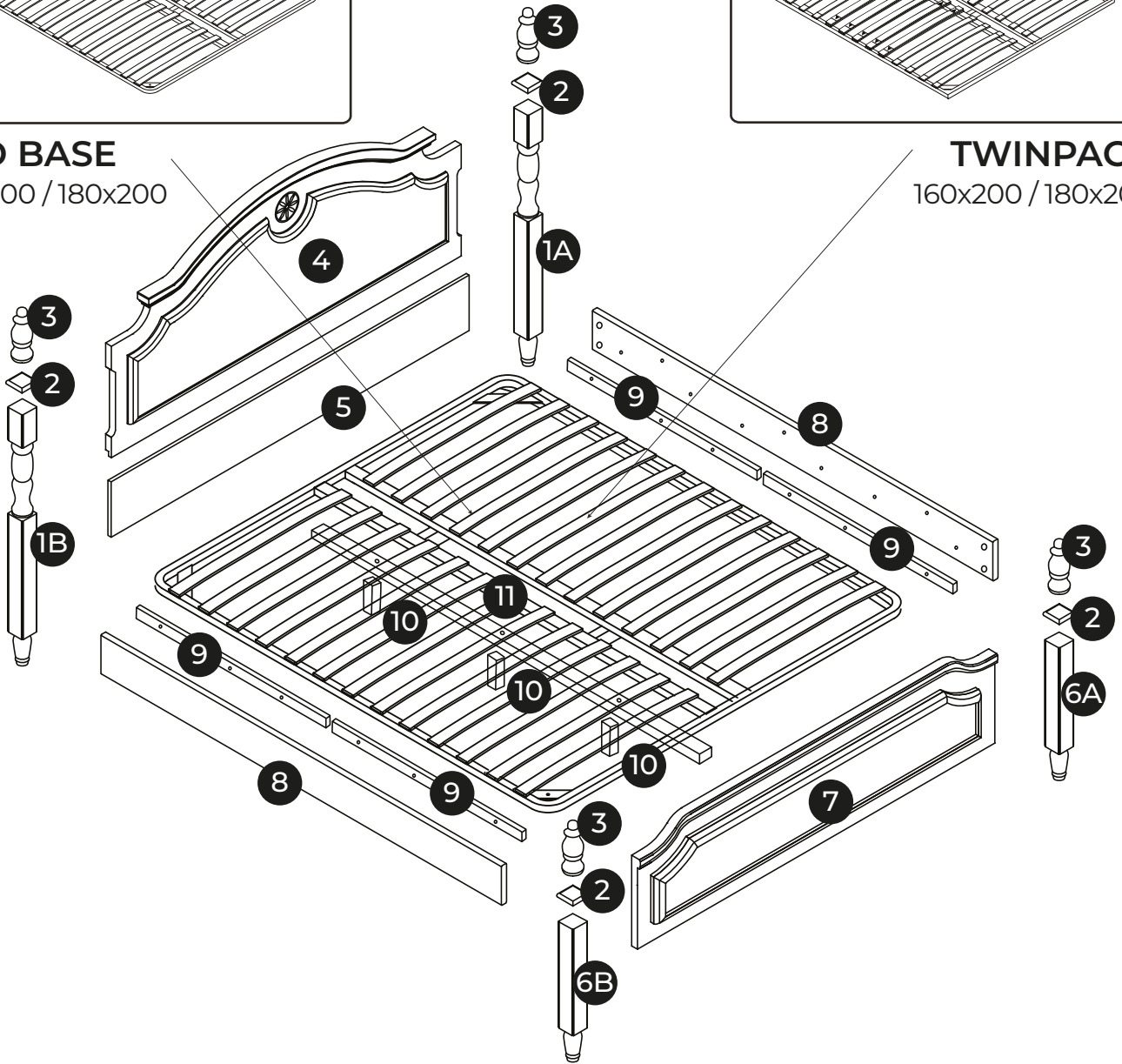
**BEMONDI**



**BED BASE**  
160x200 / 180x200



**TWINPACK**  
160x200 / 180x200



**A** x4  
Ø 15 mm



**B** x24  
Ø 8 x 30 mm



**C** x4  
Ø 8 x 60 mm



**D** x16  
Ø 8 x 70 mm



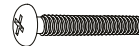
**E** x16



**F** x16



**G** x12  
Ø 38



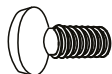
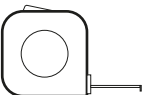
**H** x18  
Ø 6 x 50 mm



**I** x14  
Ø 4 x 16 mm



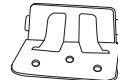
**J** x3  
Ø 8 x 45mm



**K** x3  
Ø 20 mm



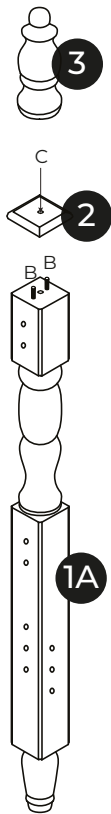
**L1** x2



**L2** x2




**M** x6  
Ø 3,5 x 25 mm

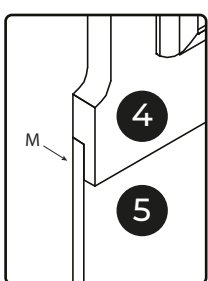


x2

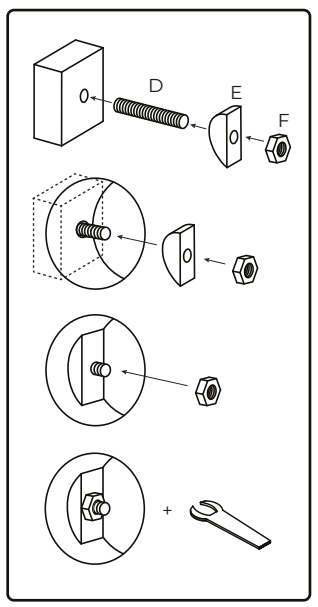
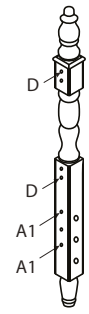
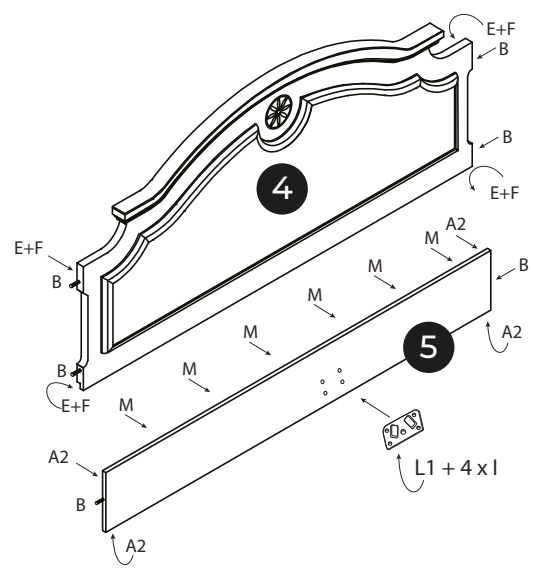
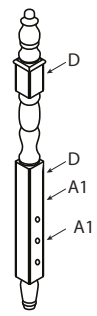
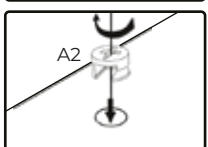
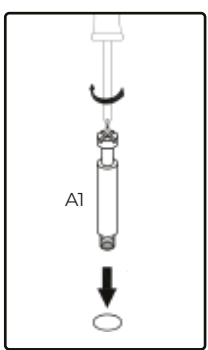
B  x4


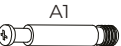
C  x2

1



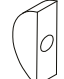
l x4




A   x4


B  x6

D  x4

E  x4

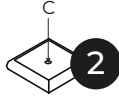
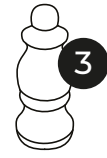
F  x4

I  x4

L1  x1

M  x6

2

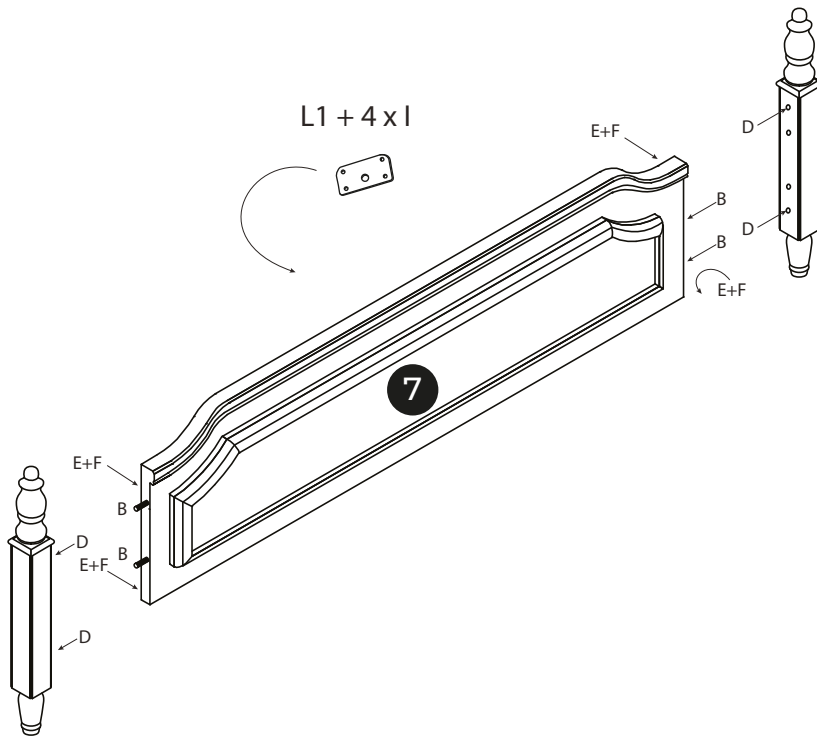


x2

B  x4


C  x2


3




I x4

B  x4

D  x4

E  x4

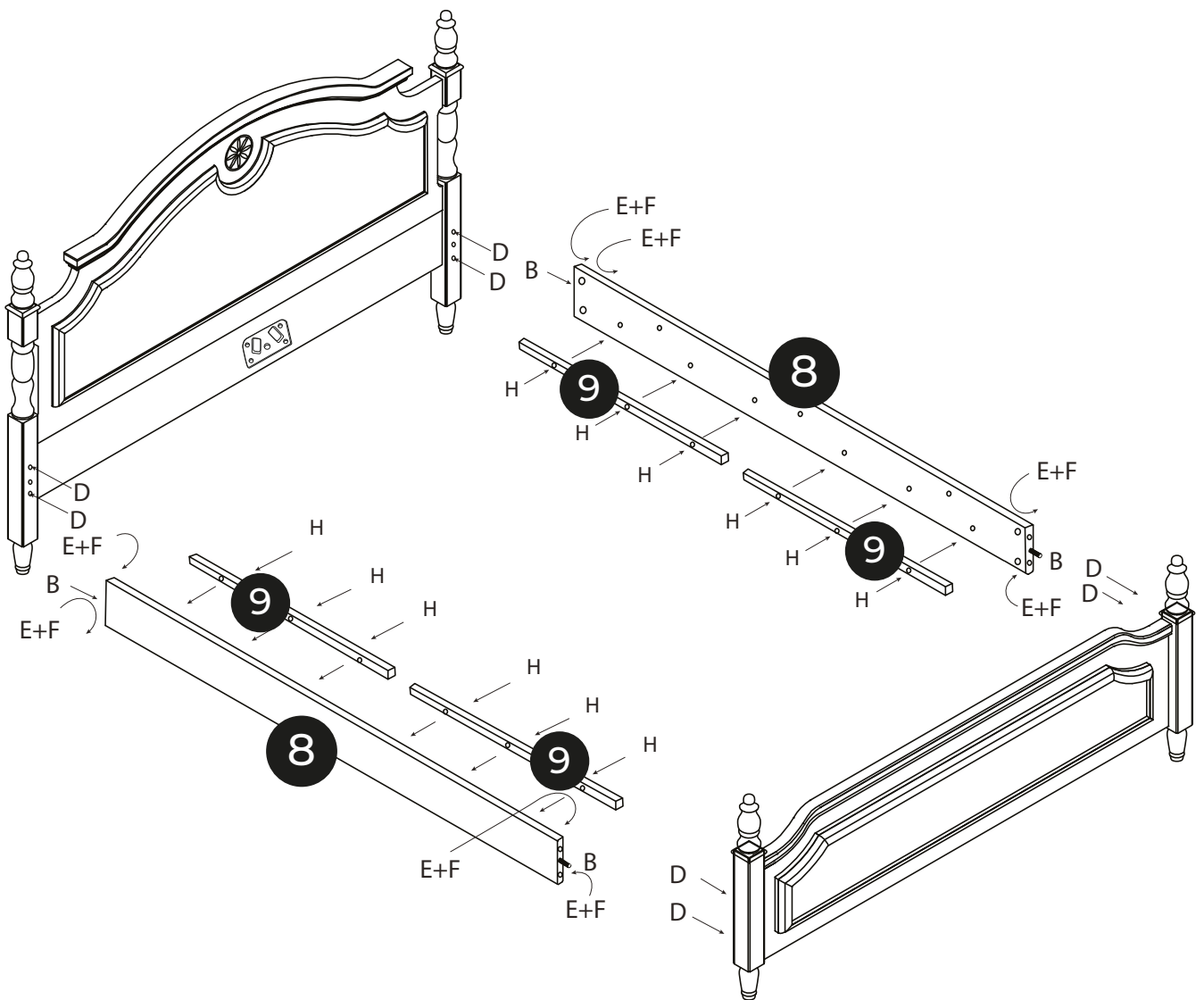
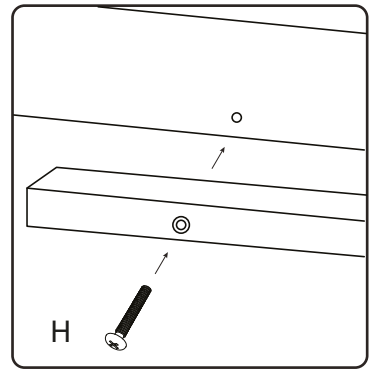
F  x4

G  x4

I  x4


L1  x1


4



B  x4

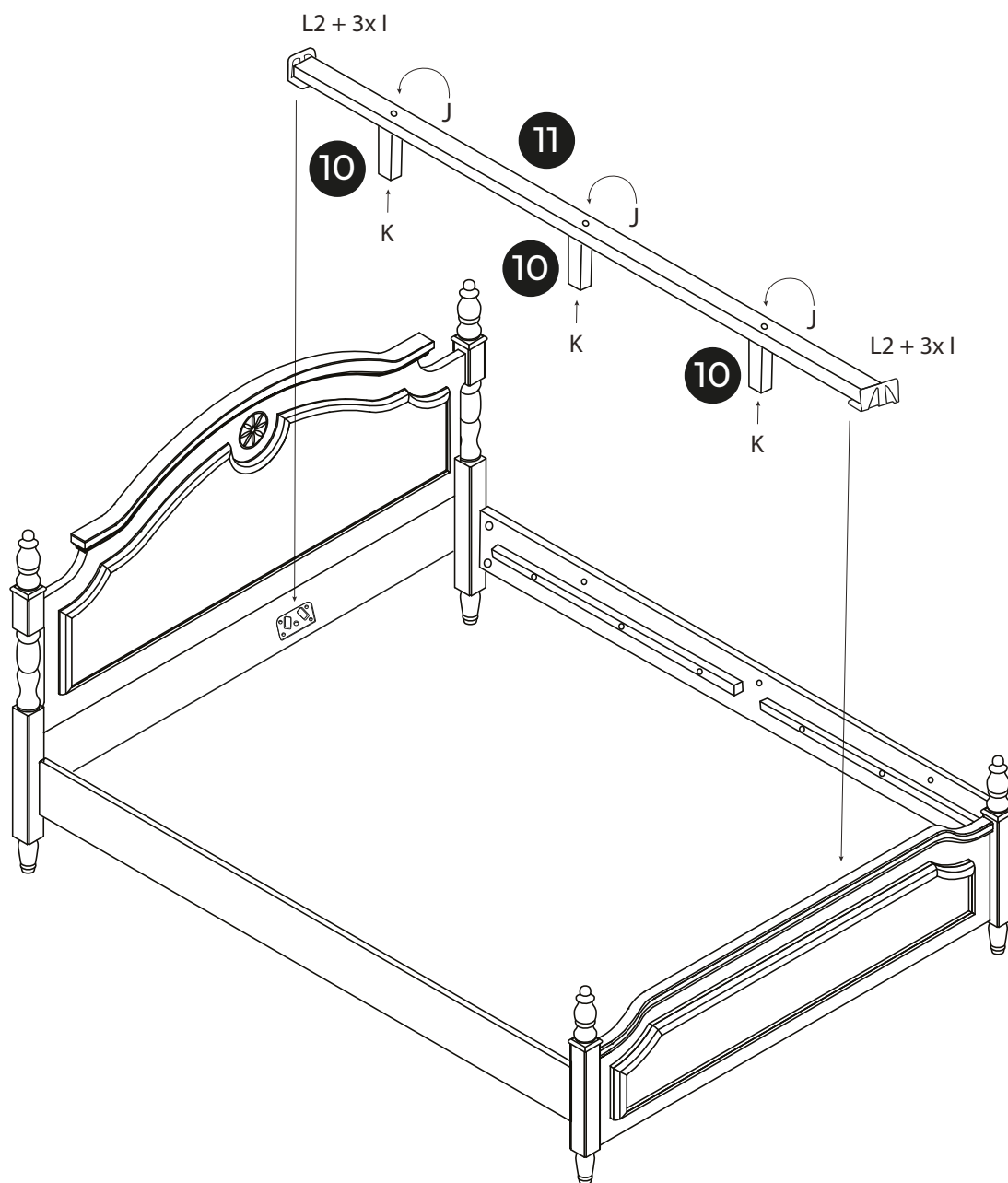
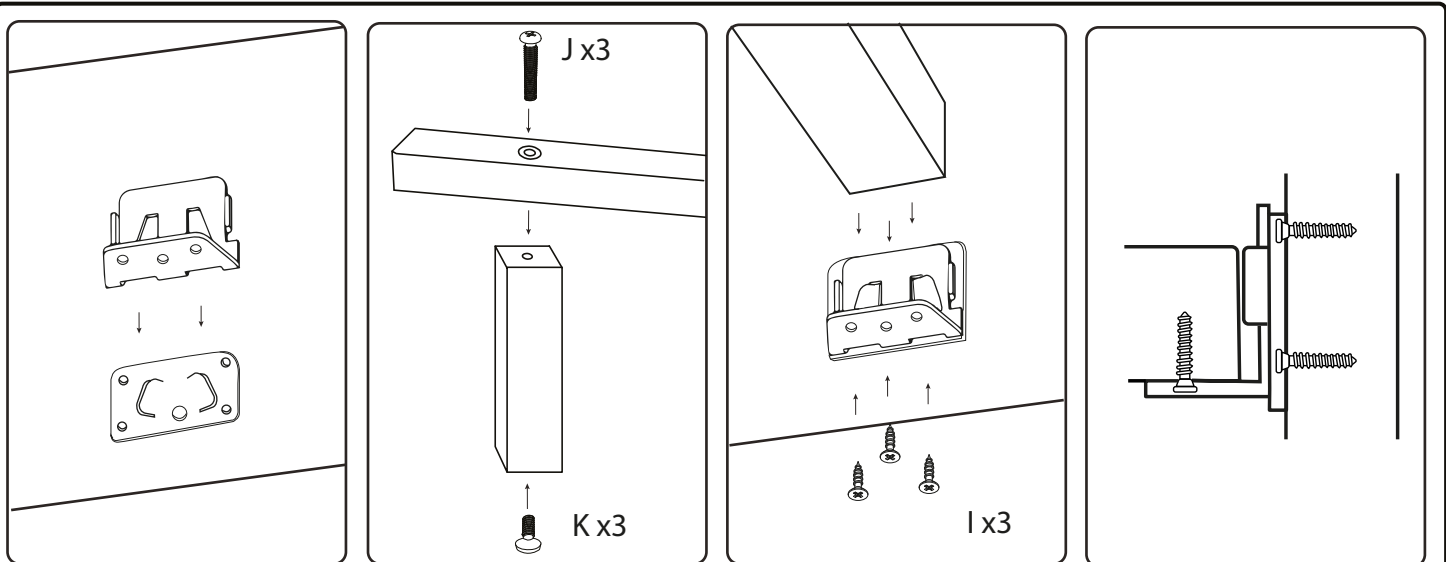
D  x8

E  x8

F  x8

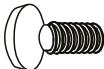
G  x8

H  x12

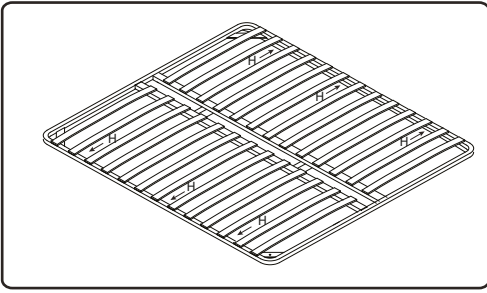


I  x6

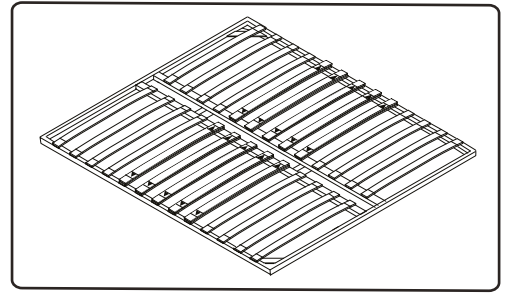
J  x3

K  x3

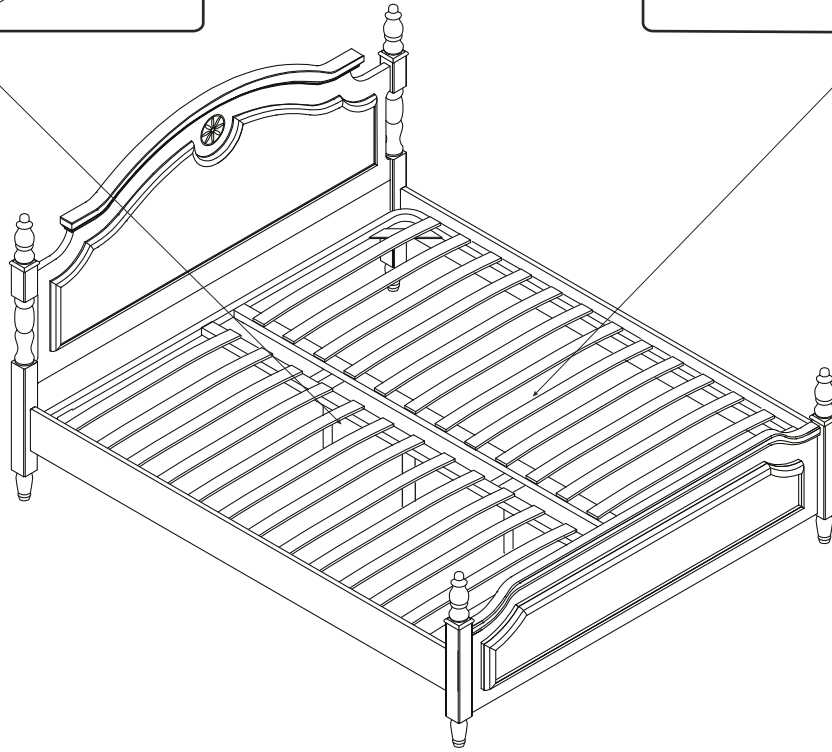
L2  x2



**BED BASE**  
160x200 / 180x200



**TWINPACK**  
160x200 / 180x200

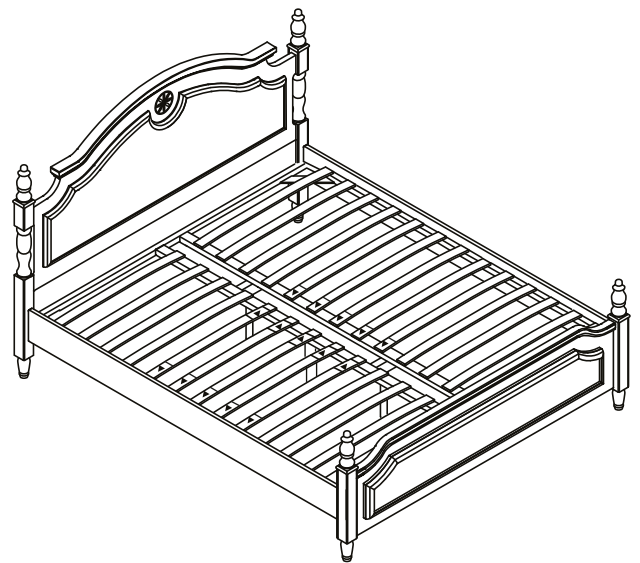
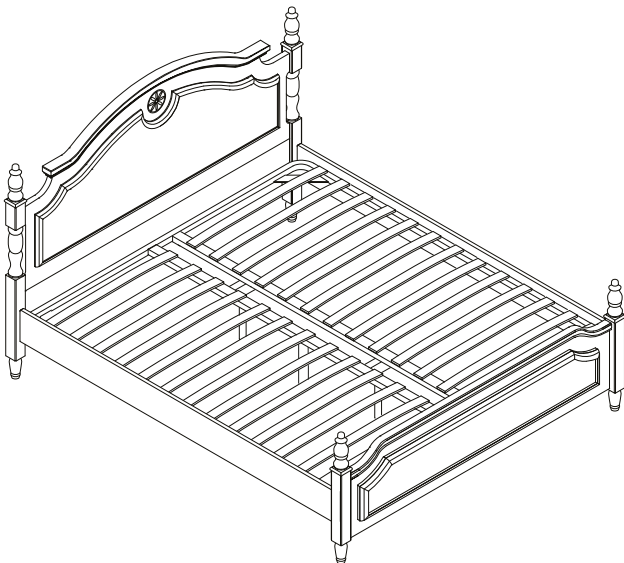


H  x6 **BED BASE**

**7**

**BED BASE**  
160x200 / 180x200

**TWINPACK**  
160x200 / 180x200



**8**