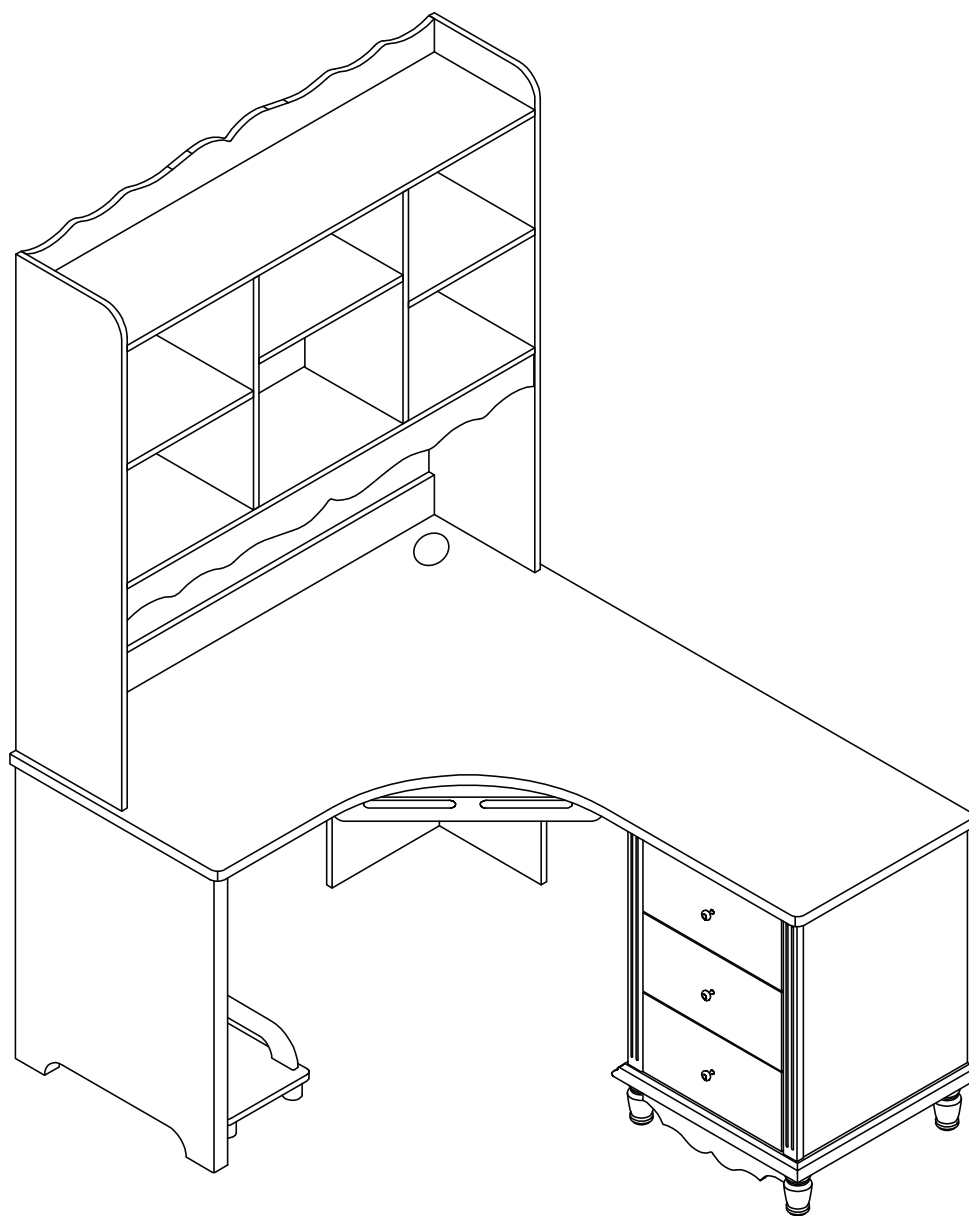
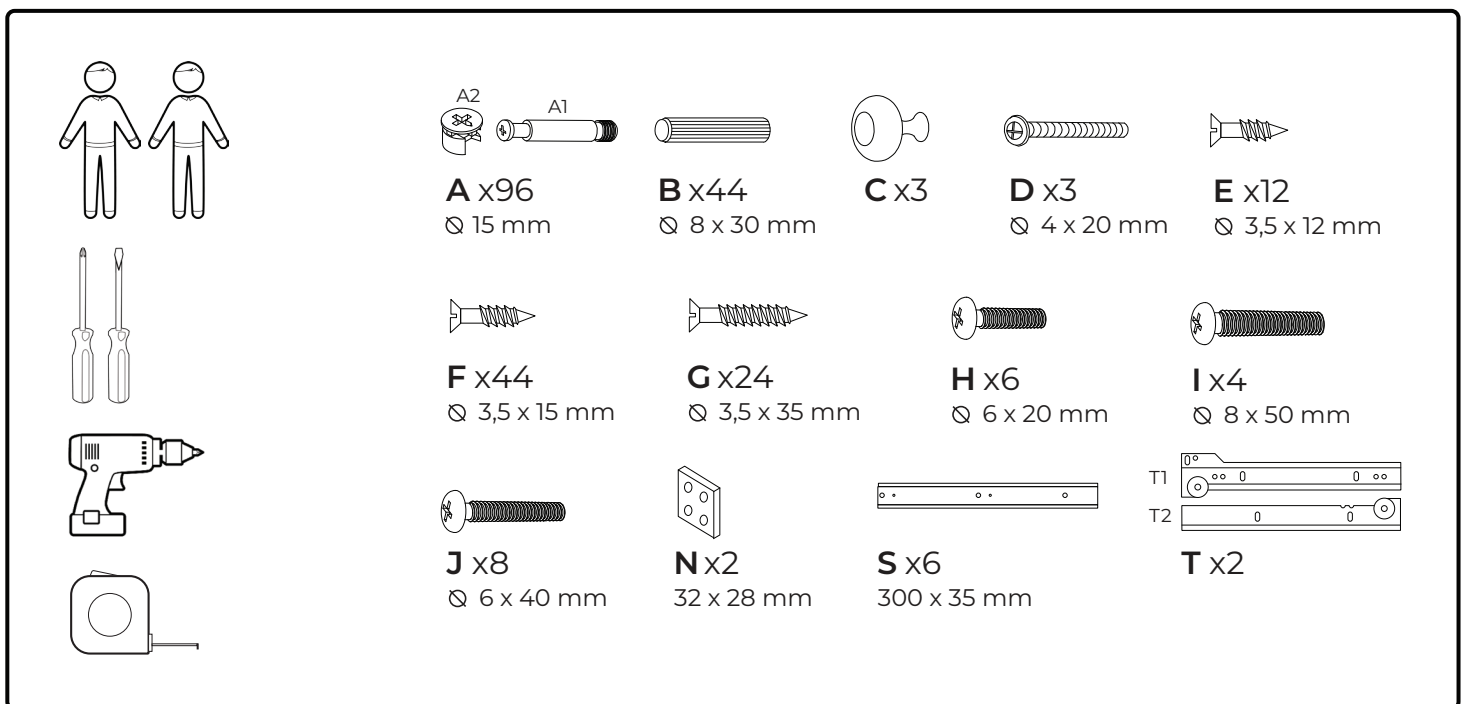
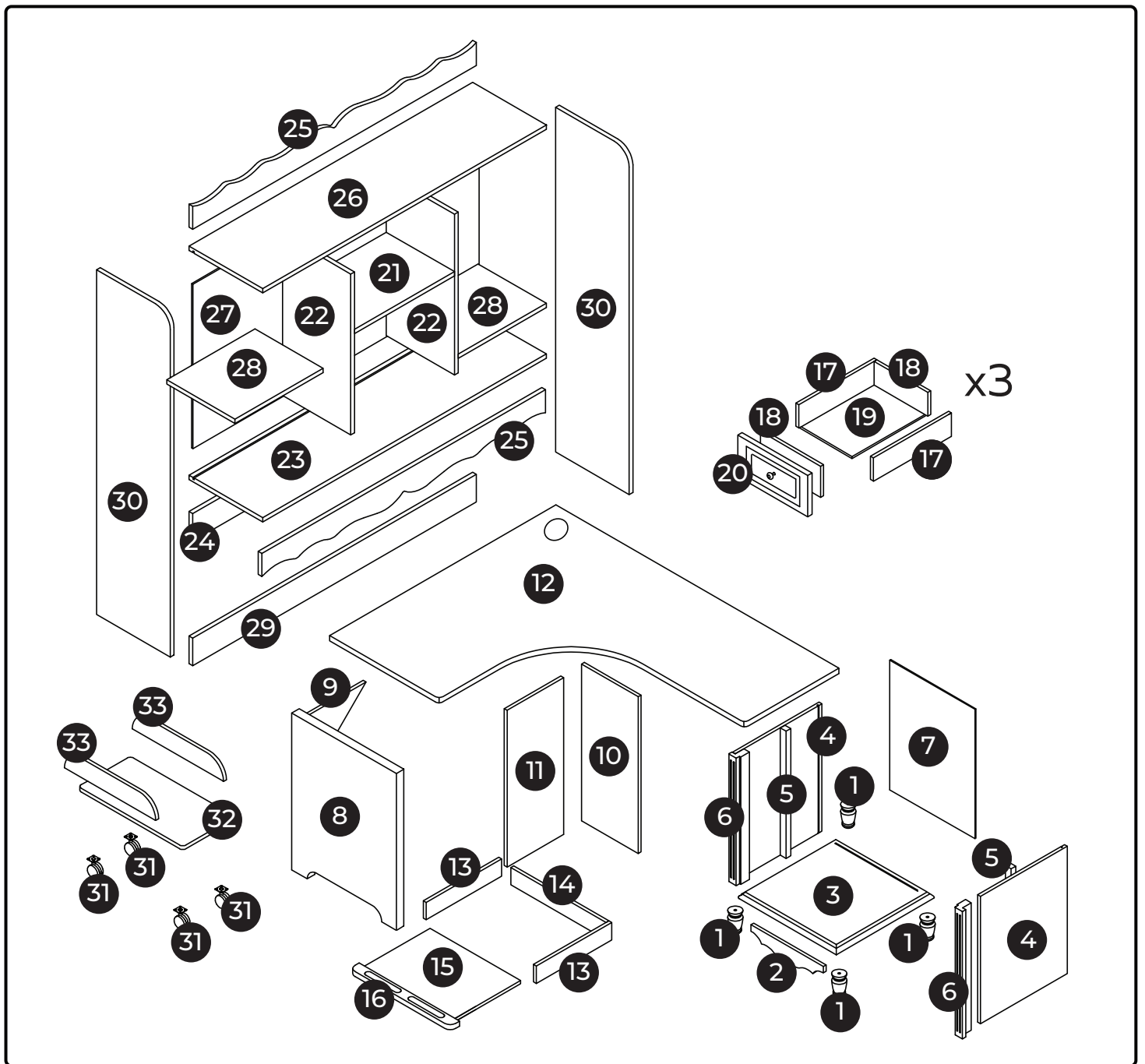


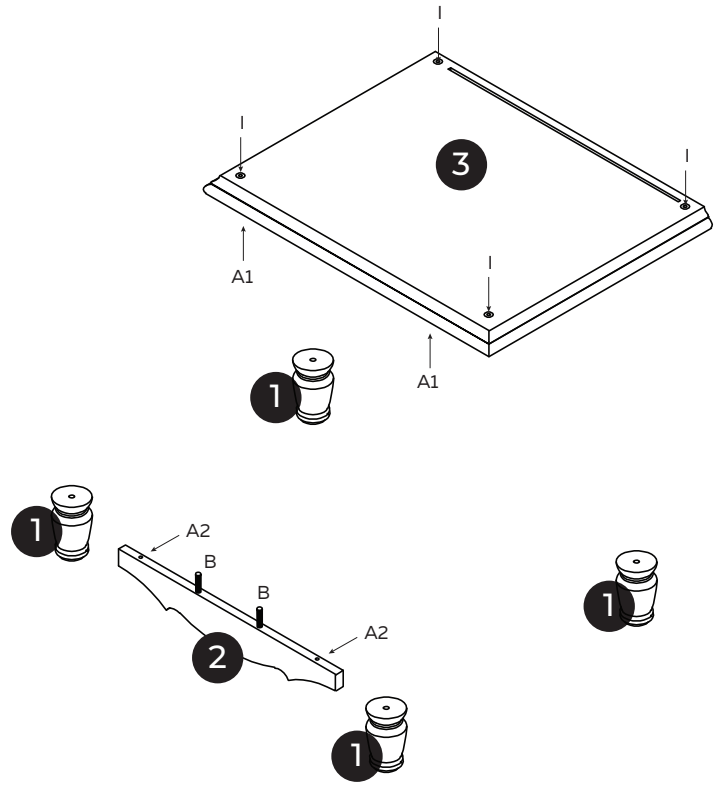
813


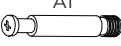
1200 x 1500 x 1960 mm




BEMONDI



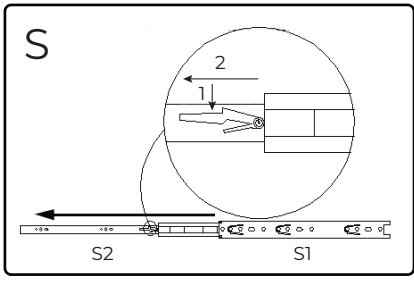


A   x2

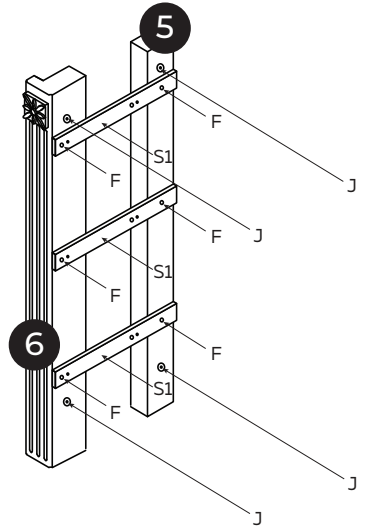
B  x2

I  x4

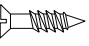
1




x6



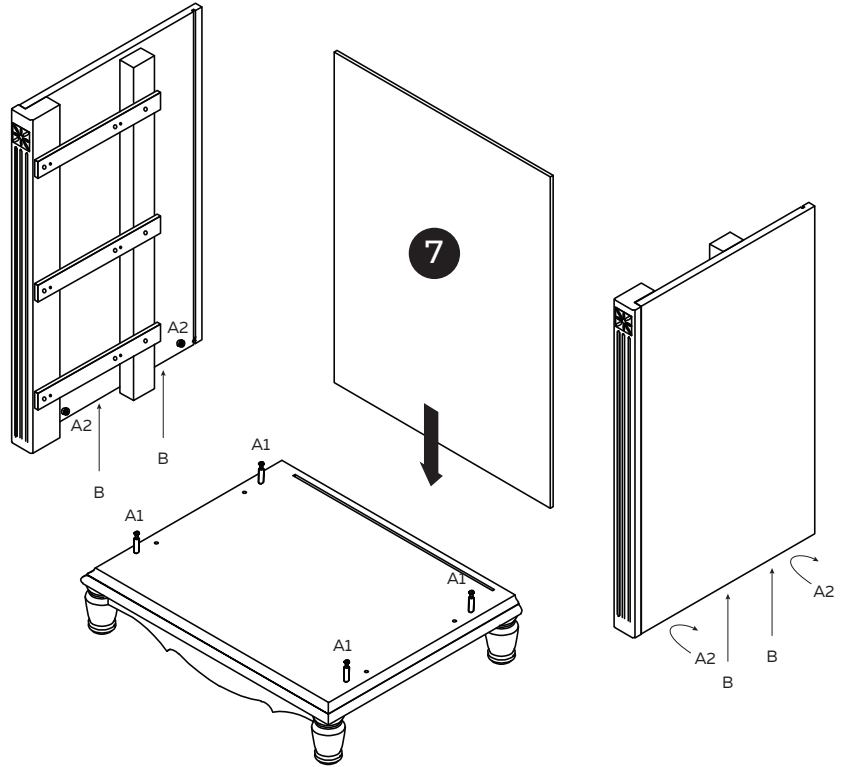
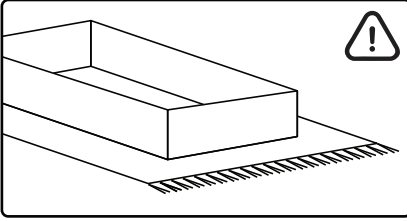
x2


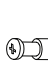
F  x12

J  x8

S1  x6

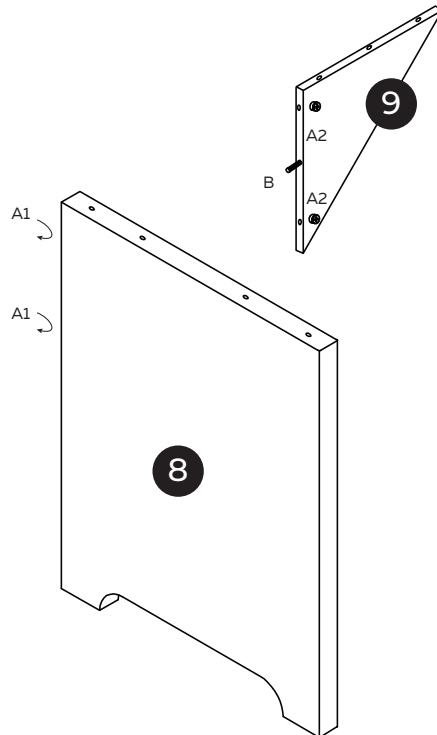
2





A   x4

B  x4

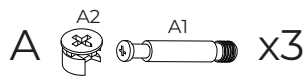
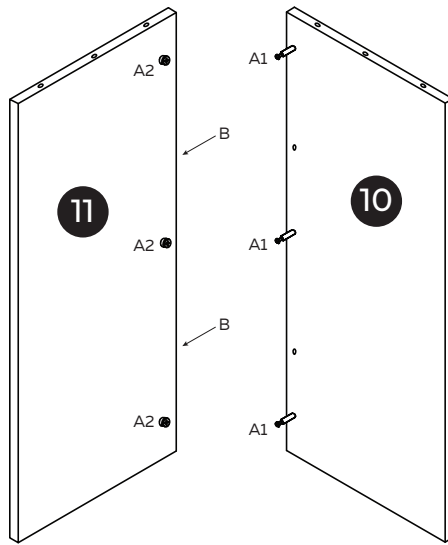
3



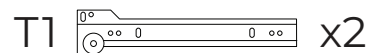
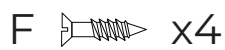
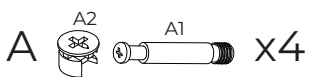
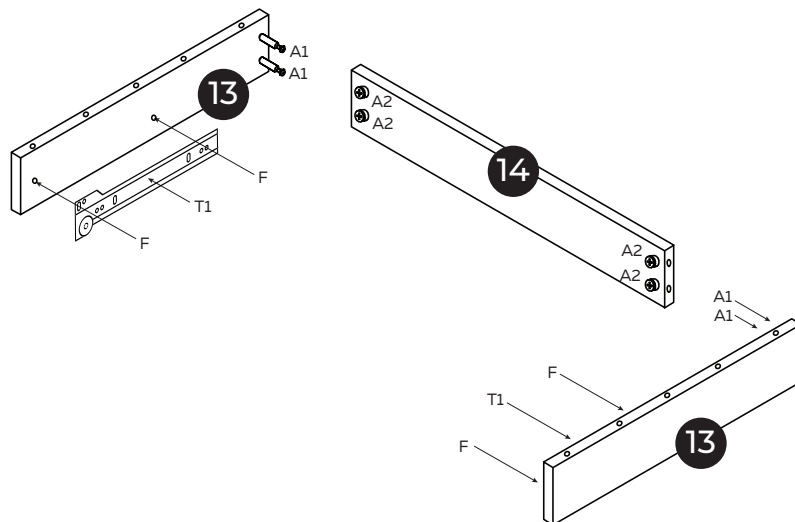
A   x2

B  x1

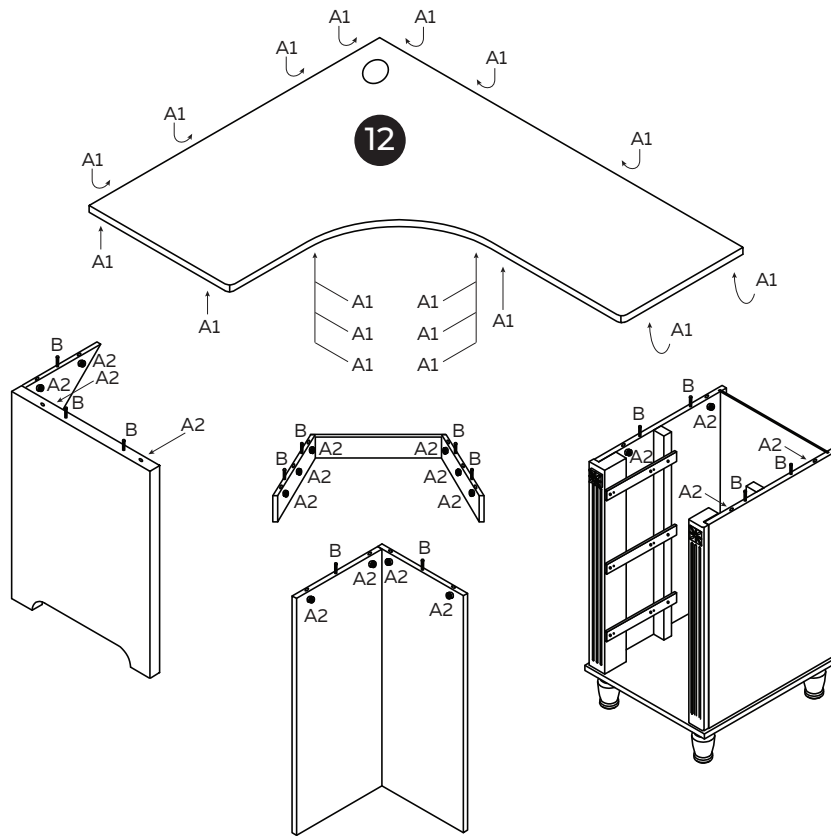
4

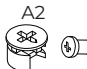


5



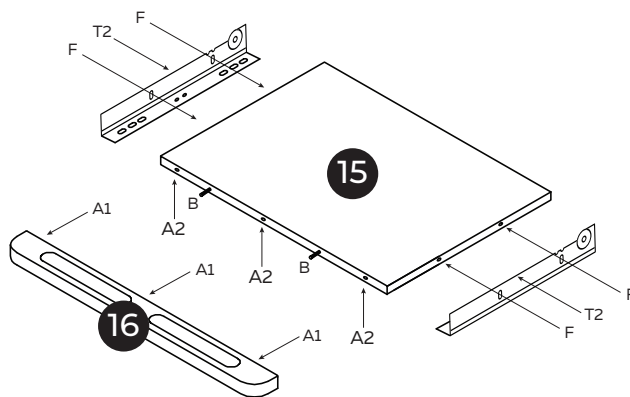
6

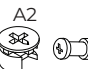


A  x18

B  x13


7



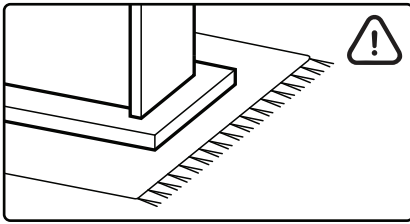
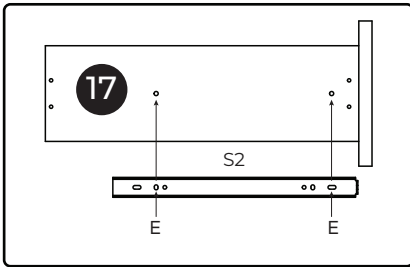
A  x3

B  x2

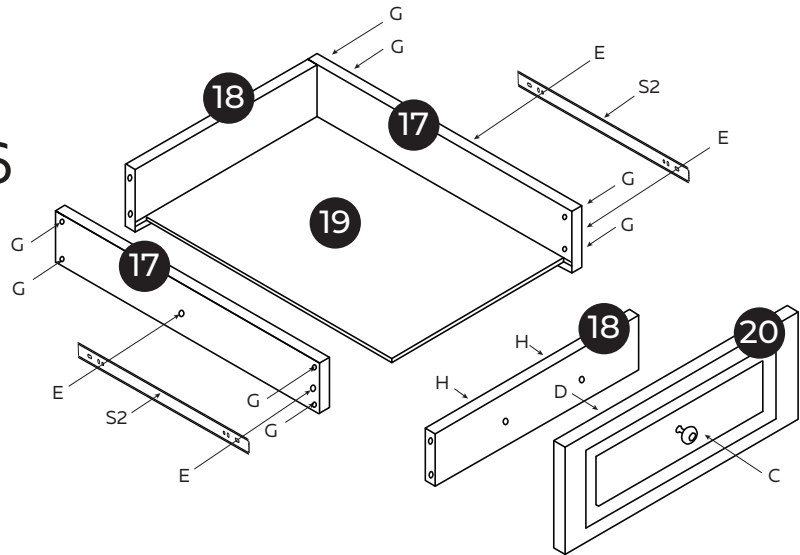
F  x4

T2  x2

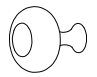
8

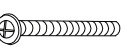


x6




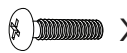
x3

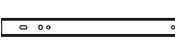
C  x3

D  x3

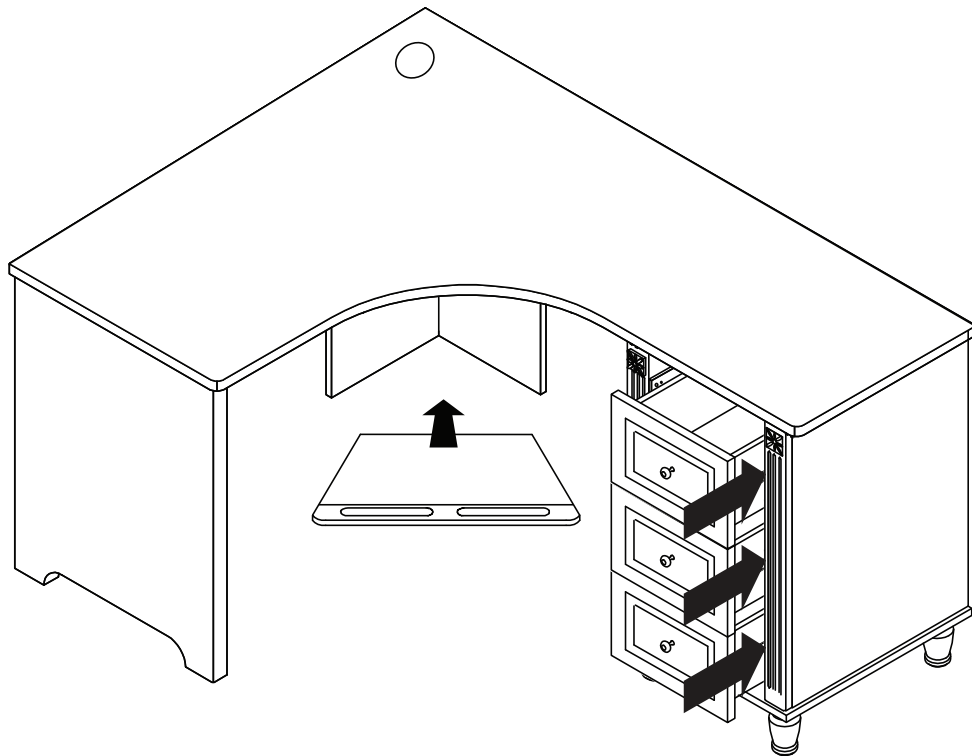
E  x12

G  x24

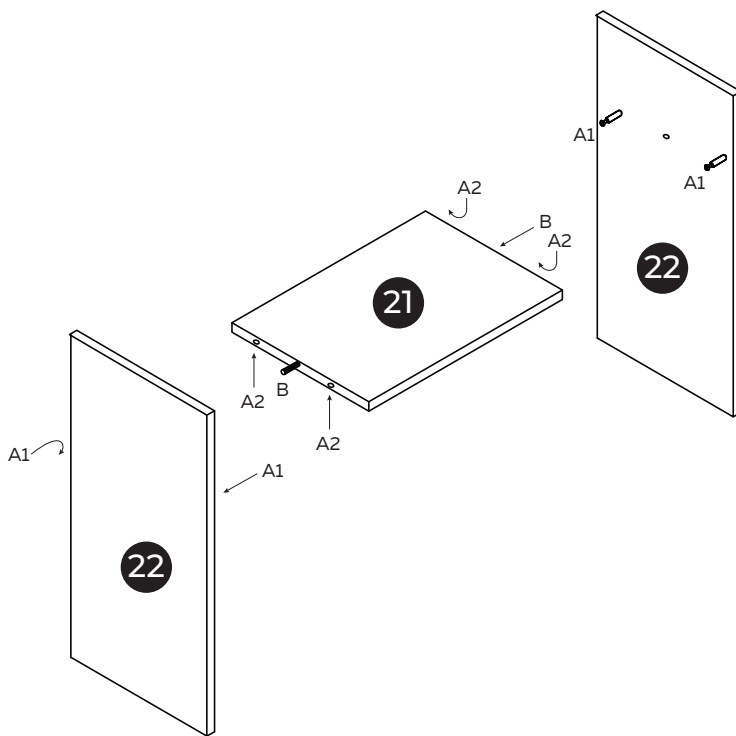
H  x6


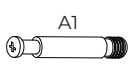
S2  x6

9



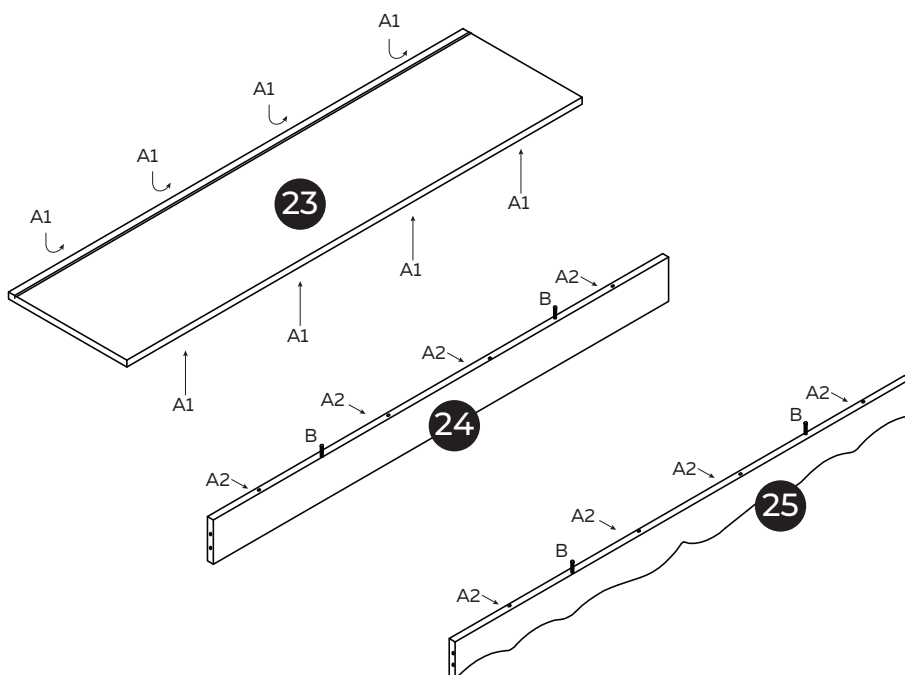
10


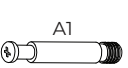


A   x4

B  x2

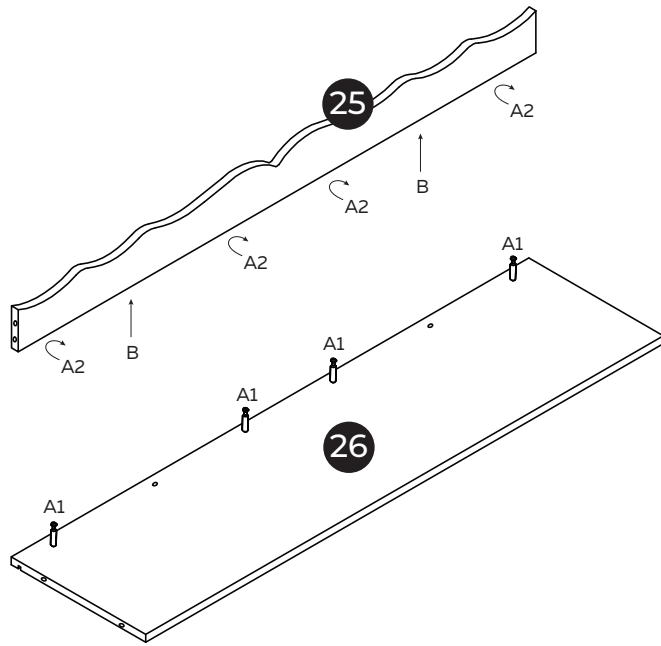
11


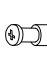


A   x8

B  x4

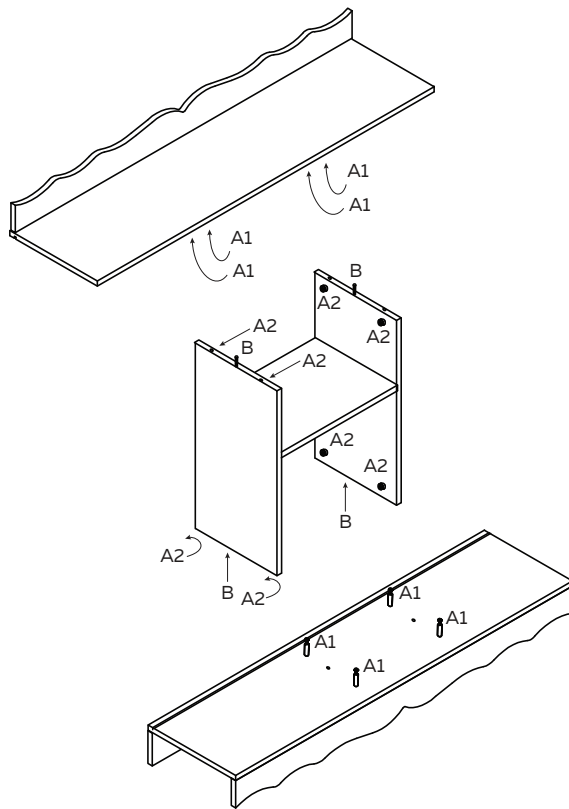
12





A   x4

B  x2

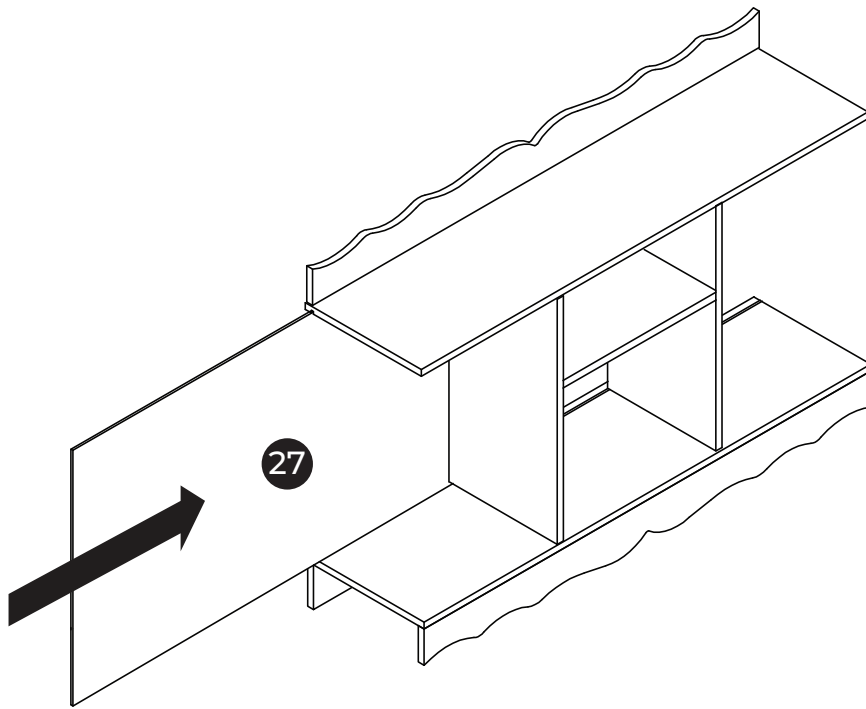
13



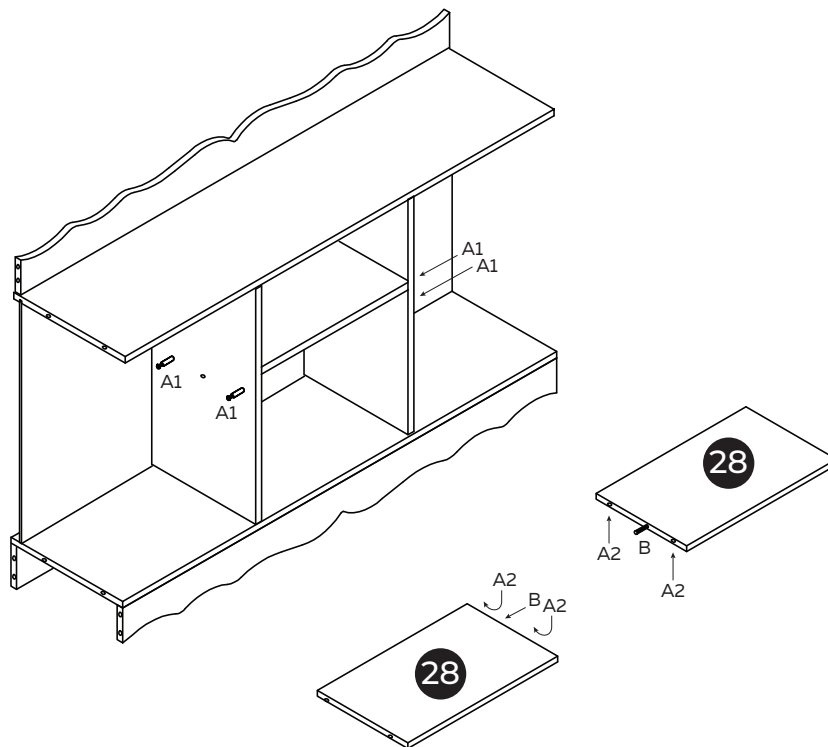
A   x8



B  x4

14



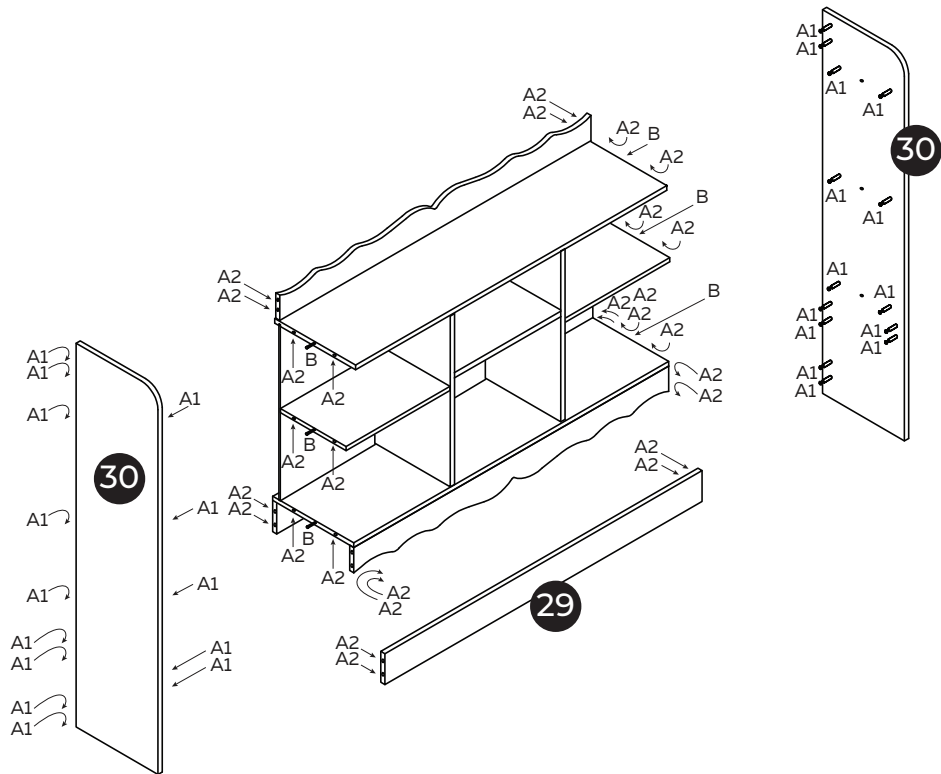
15





A   x4

B  x2

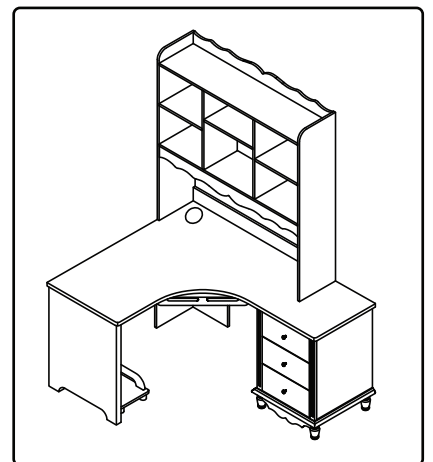
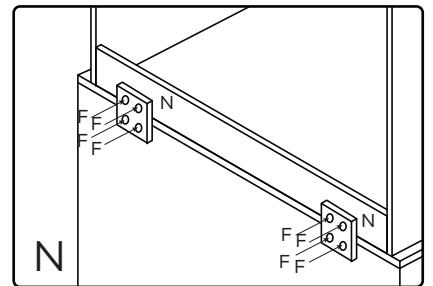
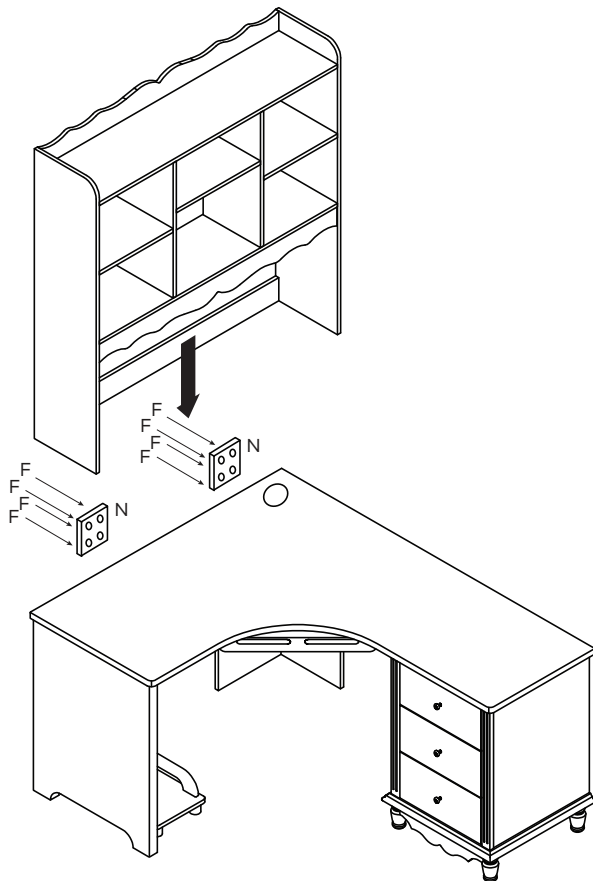
16

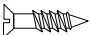


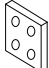
A   x28

B  x6

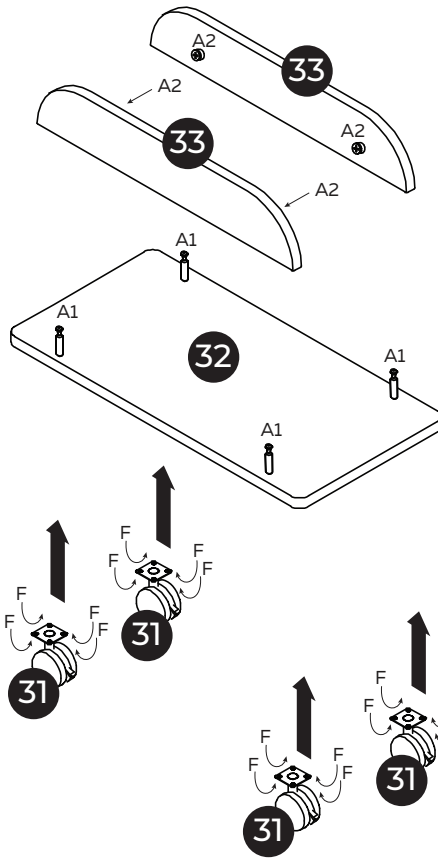
17


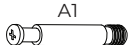


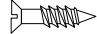
F  x8

N  x2

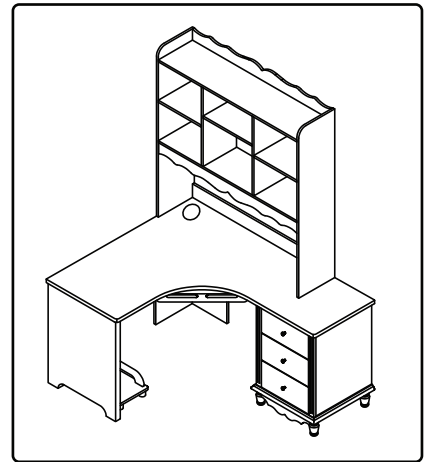
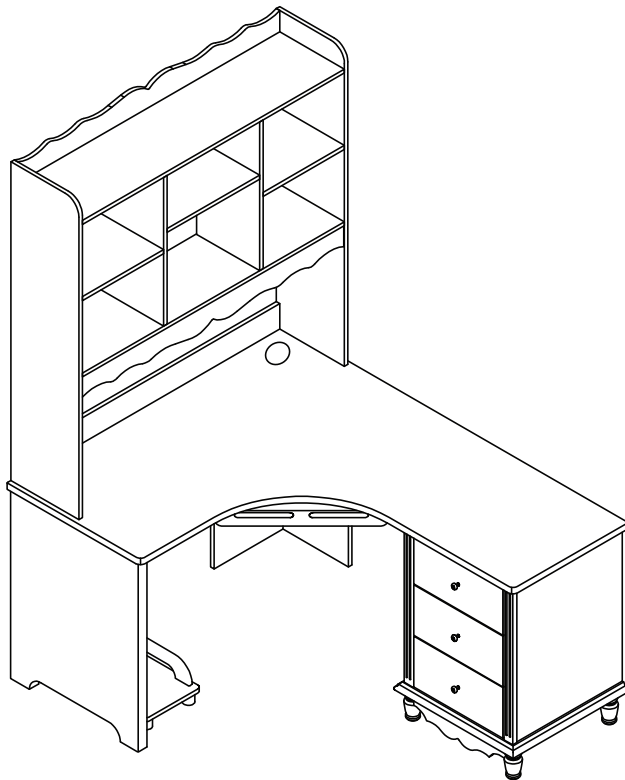
18



A   x4

F  x16

19



20