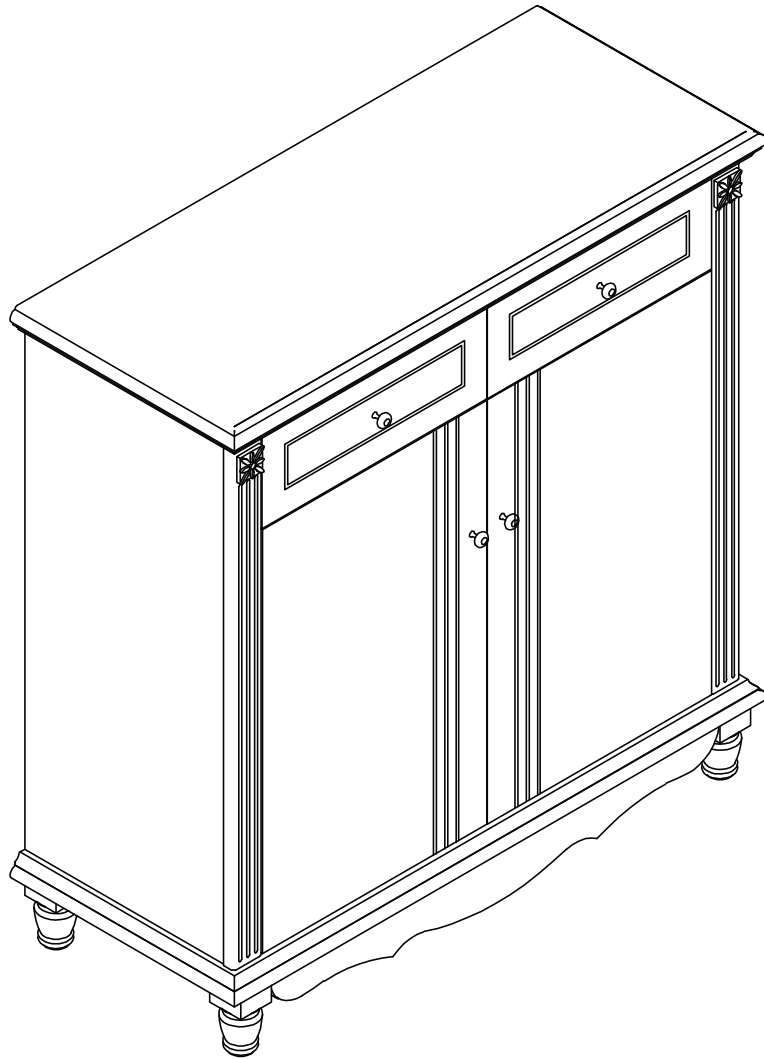
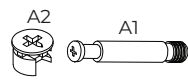
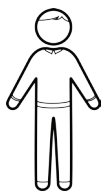
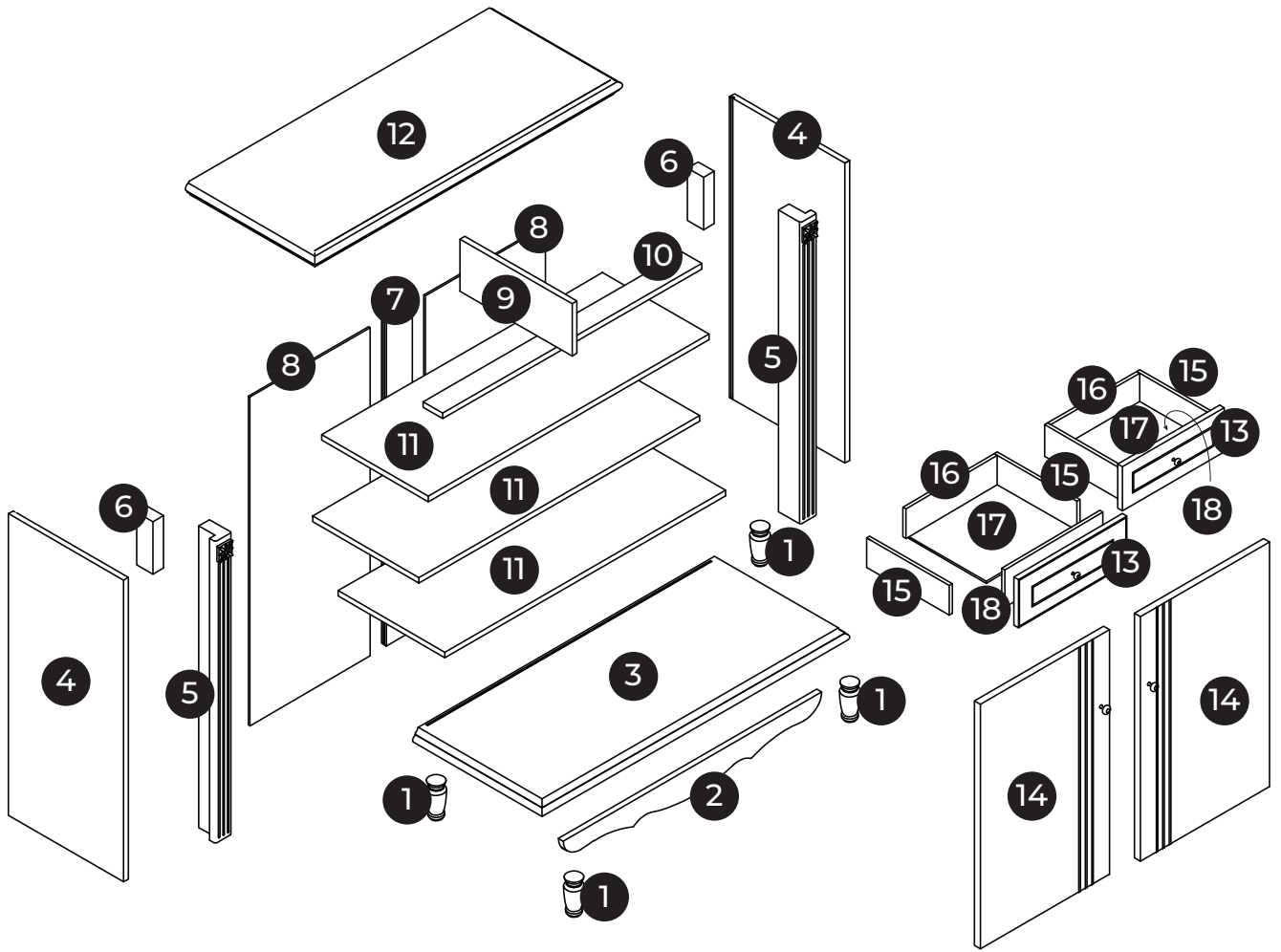


# 822

950 x 390 x 980 mm



**BEMONDI**



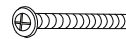
**A x21**  
 Ø 15 mm



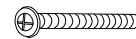
**B x5**  
 Ø 8 x 30 mm



**C x4**



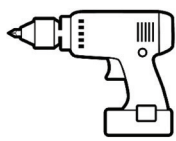
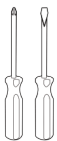
**D x2**  
 Ø 4 x 20 mm



**E x2**  
 Ø 4 x 22 mm



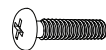
**F x8**  
 Ø 3,5 x 12 mm



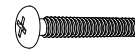
**G x8**  
 Ø 3,5 x 15 mm



**H x16**  
 Ø 3,5 x 35 mm



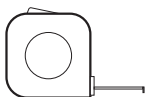
**I x4**  
 Ø 6 x 20 mm



**J x8**  
 Ø 6 x 40 mm



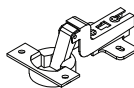
**K x4**  
 Ø 8 x 50 mm



**L x12**  
 Ø 5 x 18 mm



**M x2**  
 Ø 60



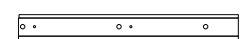
**N x4**



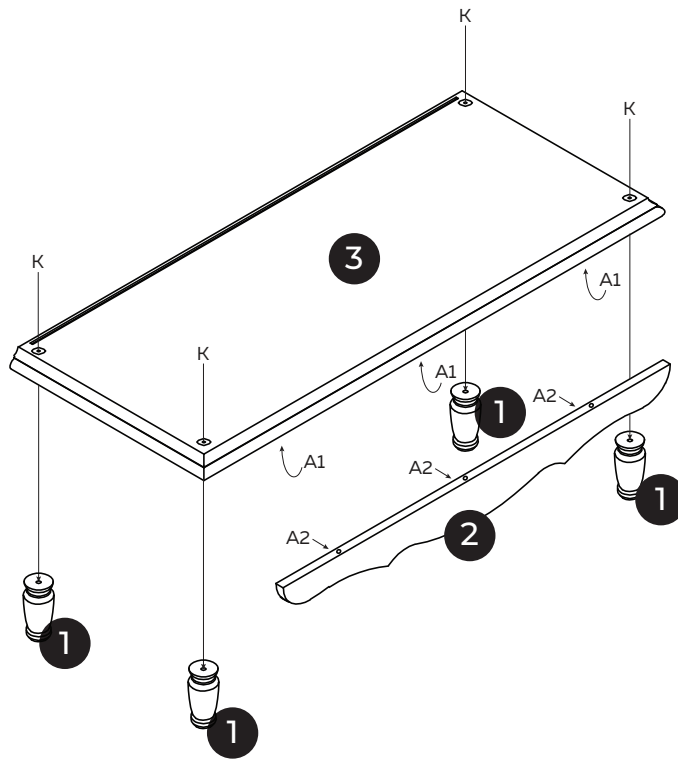
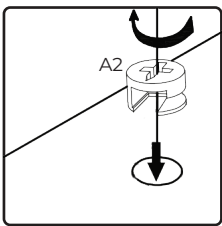
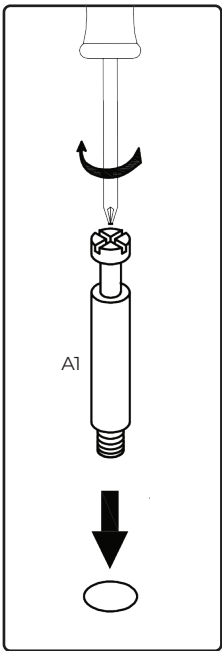
**P x16**  
 Ø 4 x 10 mm


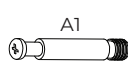


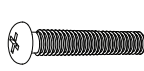
**R x2**  
 Ø 7 x 38 mm



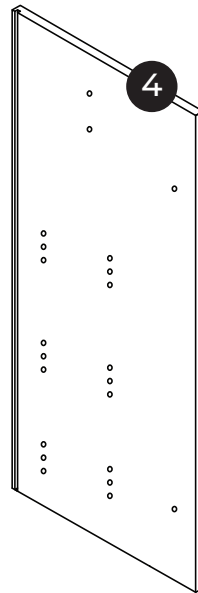
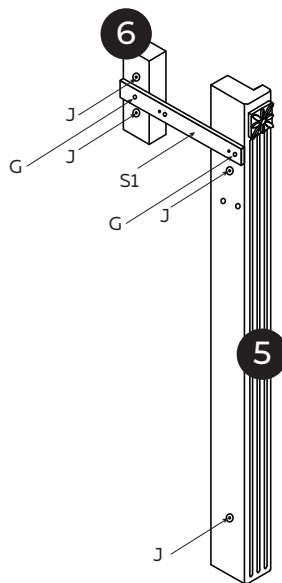
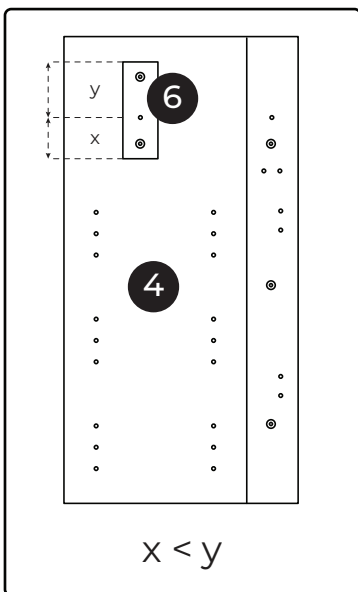
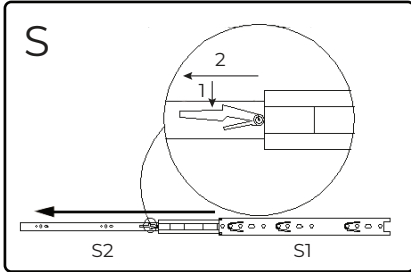
**S x4**  
 300 x 35 mm

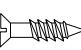


A   x3

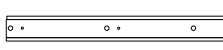
K  x4

1



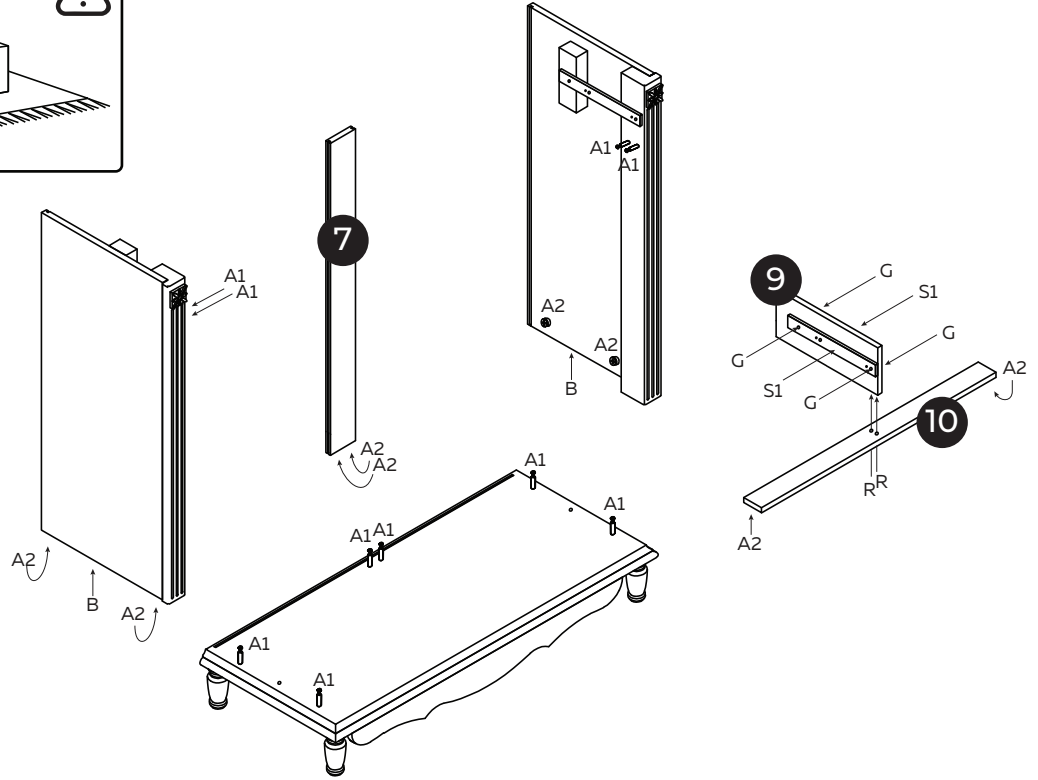
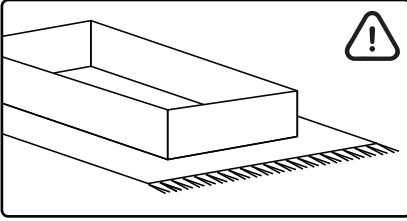
G  x4


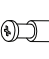
J  x8

S1  x2


x2


2



A   x10

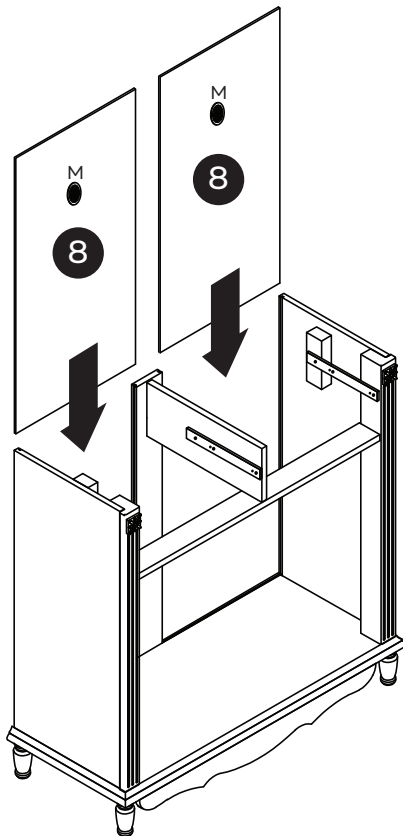
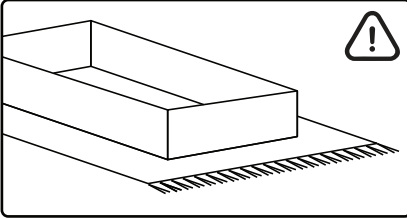
B  x2

G  x4

R  x2

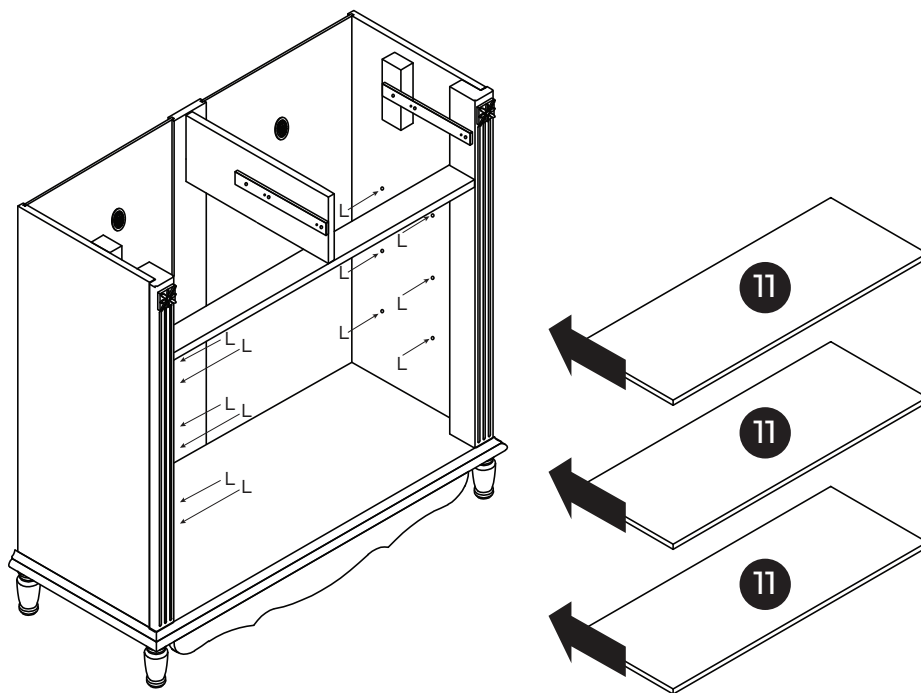
S1  x2

3



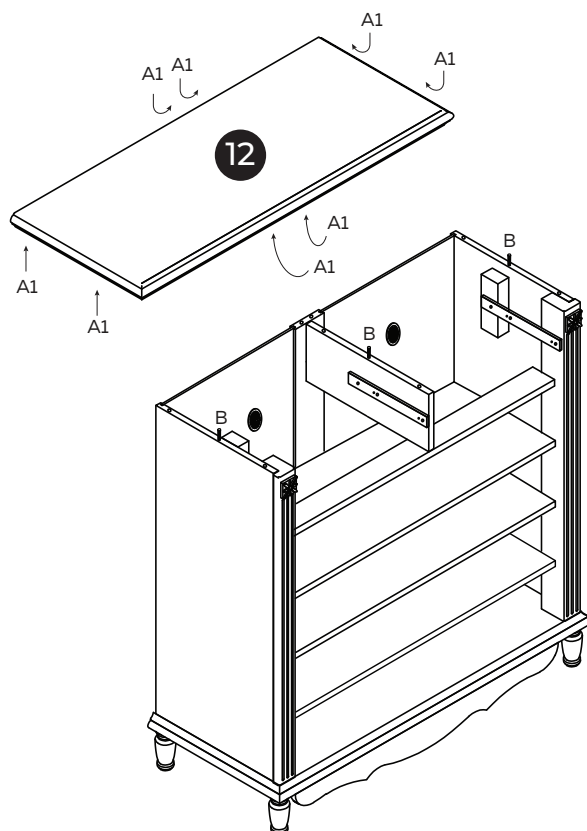
M  x2


4



L  x12

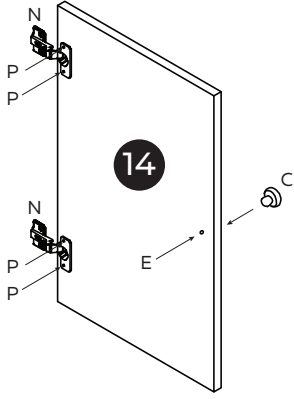
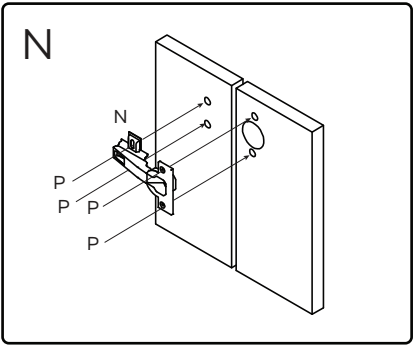
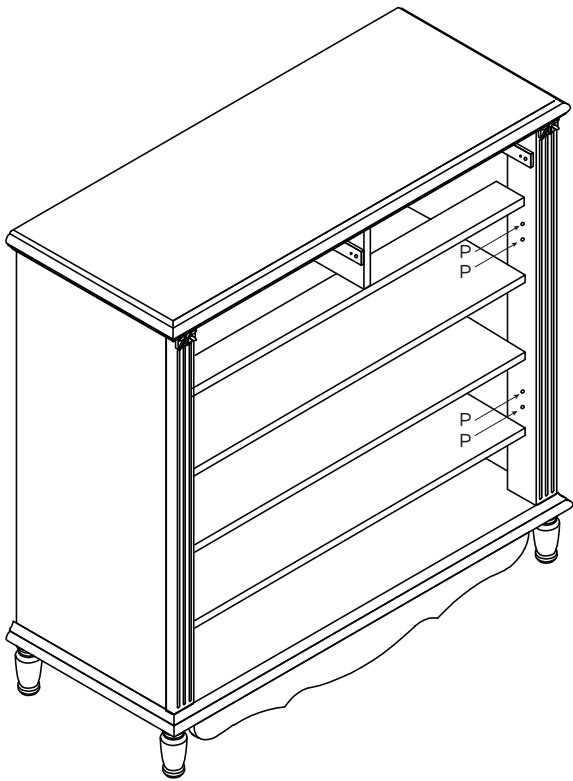
5




A  x8

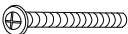
B  x3


6

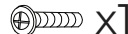


x2

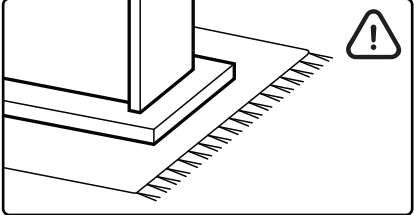
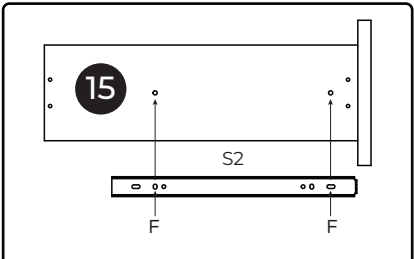
C  x2

E  x2

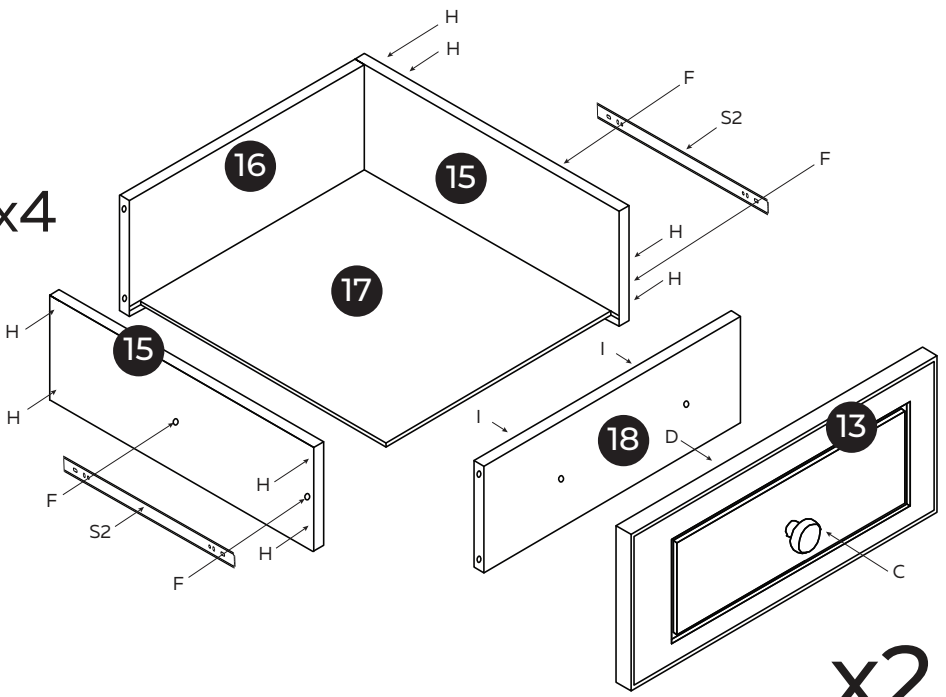
N  x4

P  x16

7

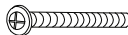



x4





x2


C  x2

D  x2

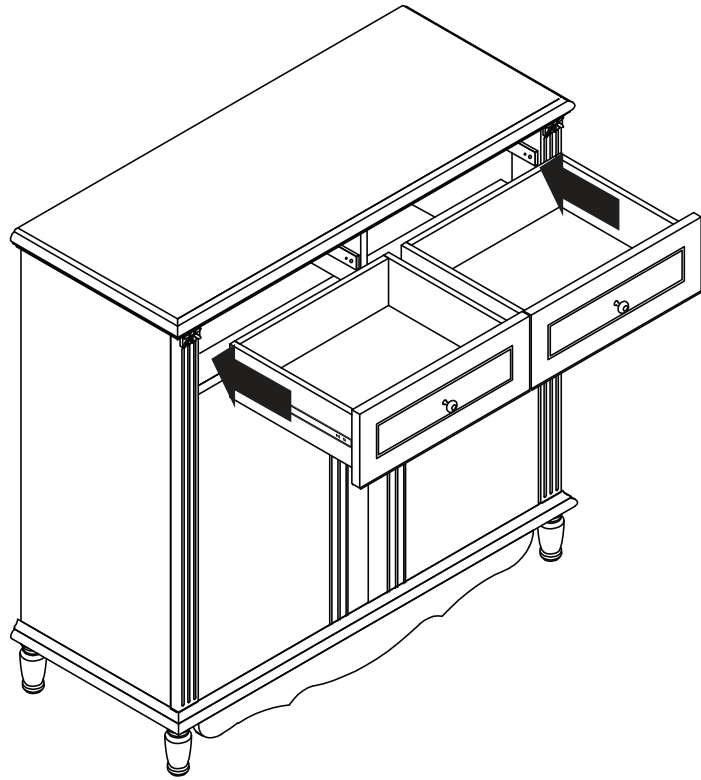
F  x8

H  x16

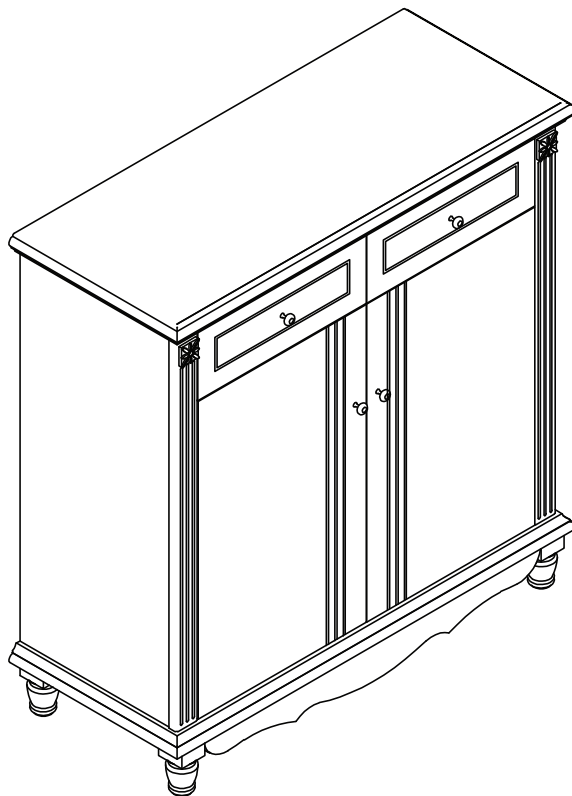
I  x4

S2  x4

8



9



10