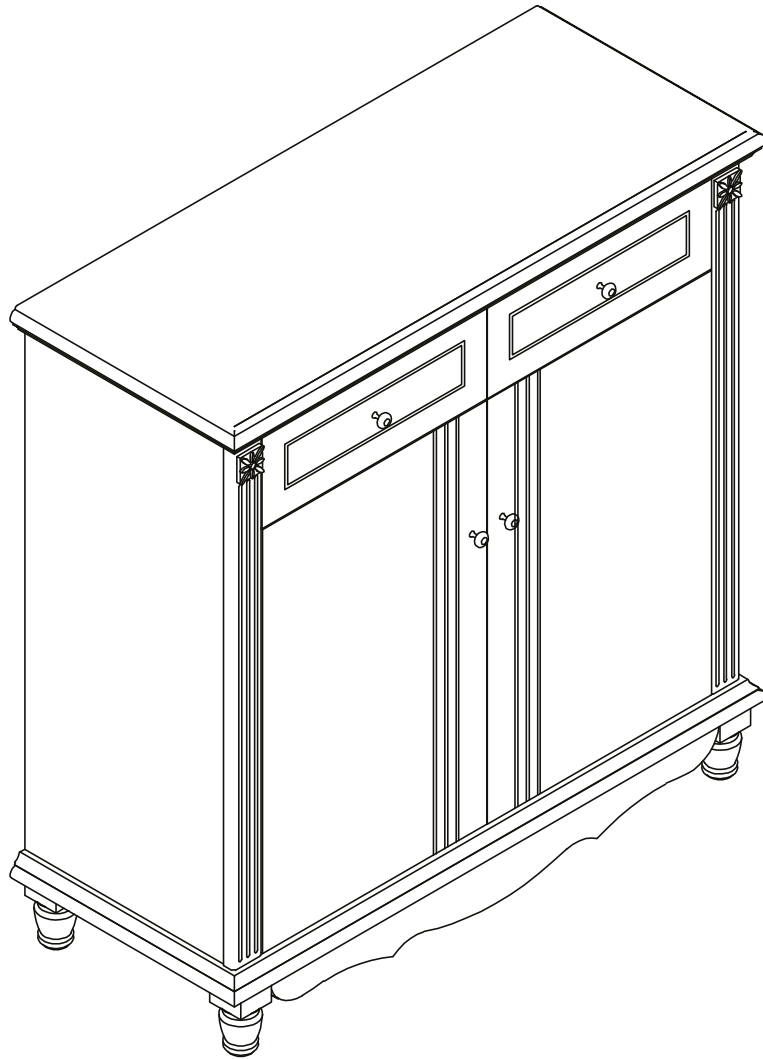
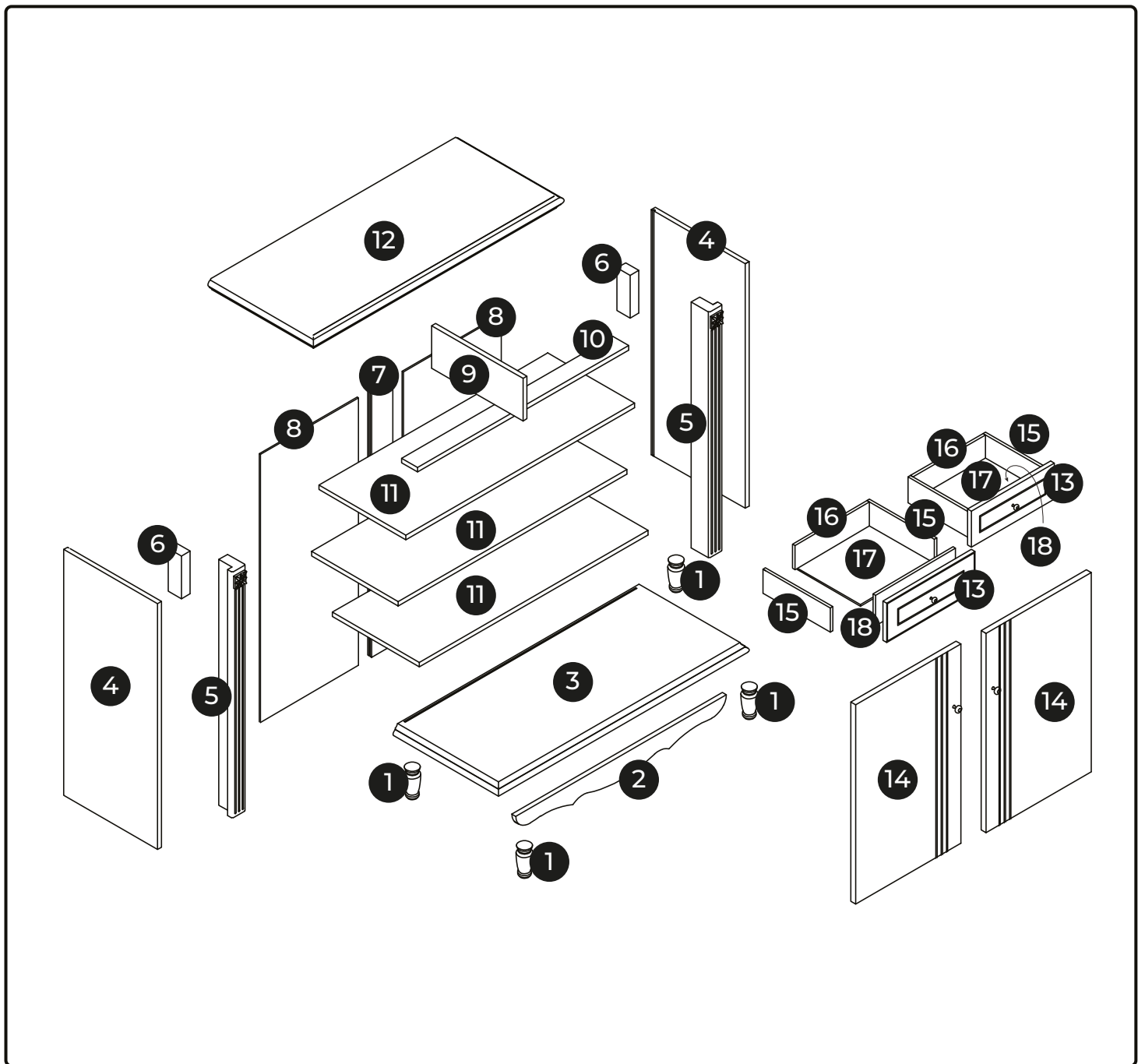


822

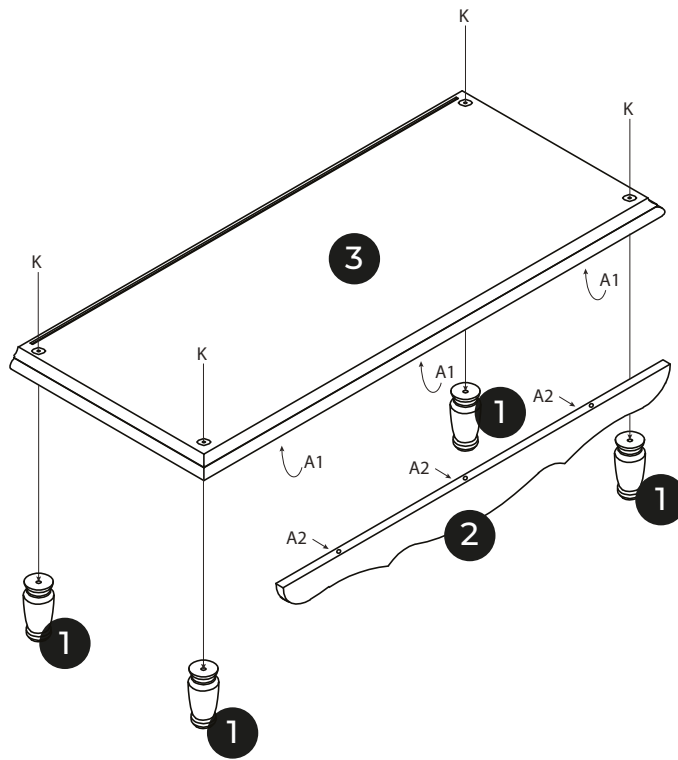
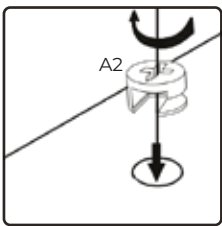
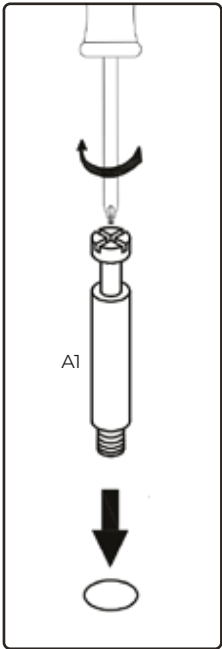
950 x 390 x 980 mm


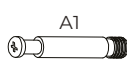


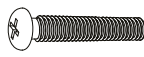
BEMONDI



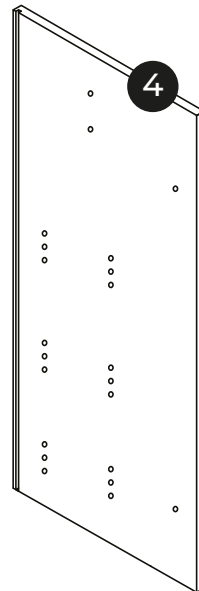
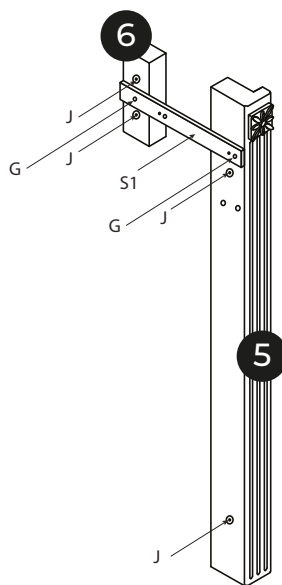
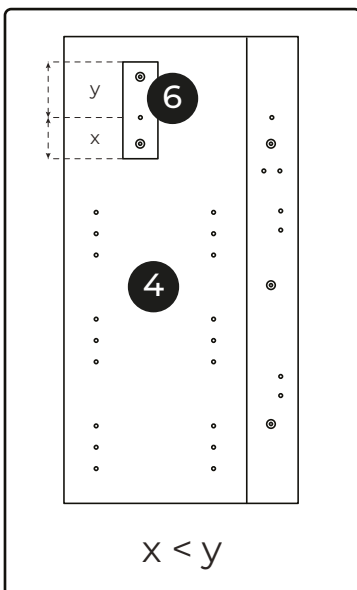
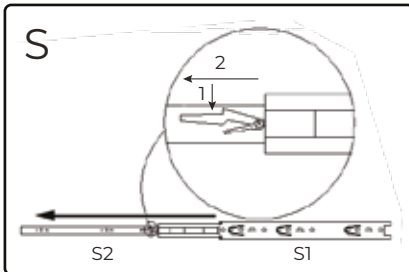
 	 A x21 Ø 15 mm	 B x5 Ø 8 x 30 mm	 C x4	 D x2 Ø 4 x 20 mm	 E x2 Ø 4 x 22 mm	 F x8 Ø 3,5 x 12 mm	
	 G x8 Ø 3,5 x 15 mm	 H x16 Ø 3,5 x 35 mm	 I x4 Ø 6 x 20 mm	 J x8 Ø 6 x 40 mm	 K x4 Ø 8 x 50 mm	 L x12 Ø 5 x 18 mm	
	 M x2 Ø 60	 N x4	 P x16 Ø 4 x 10 mm	 R x2 Ø 7 x 38 mm	 S x4 300 x 35 mm		



A   x3

K  x4

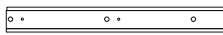
1



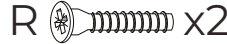
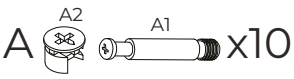
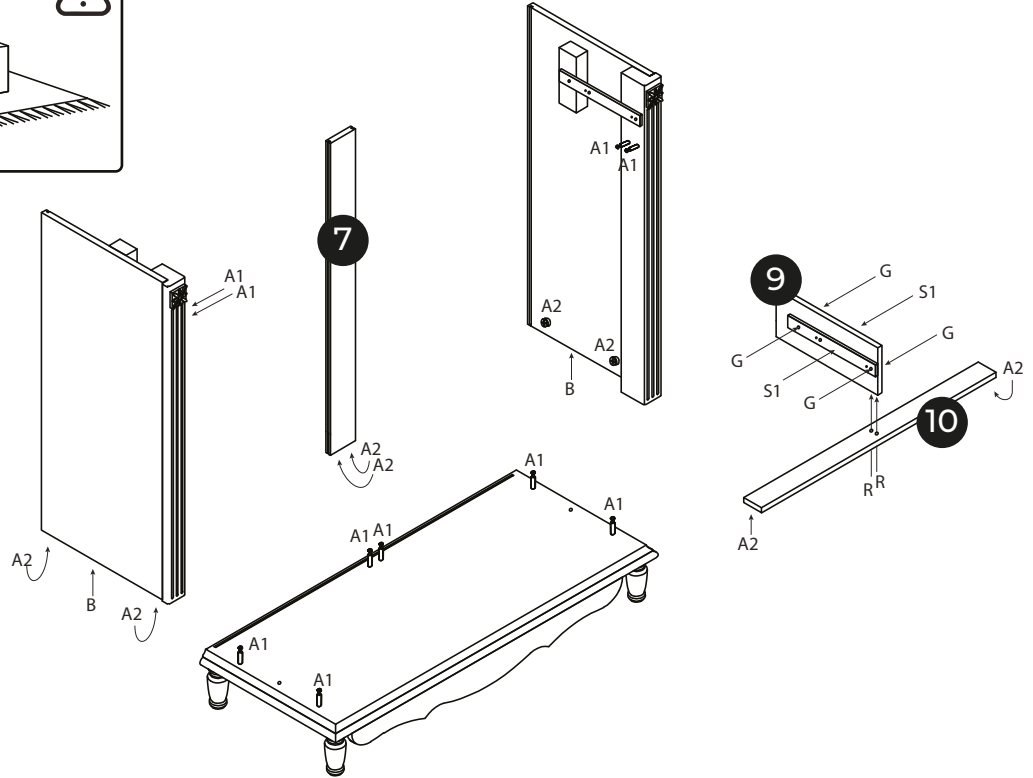
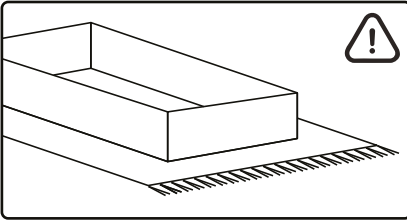
x2

G  x4

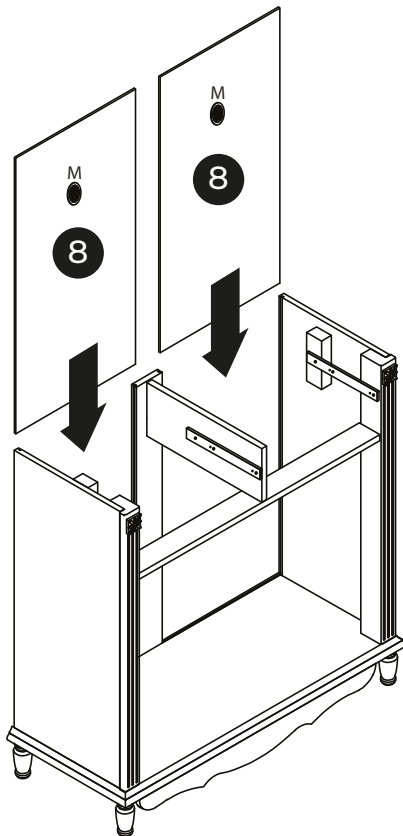
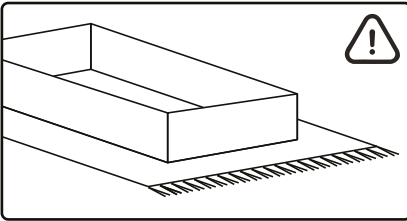
J  x8

S1  x2

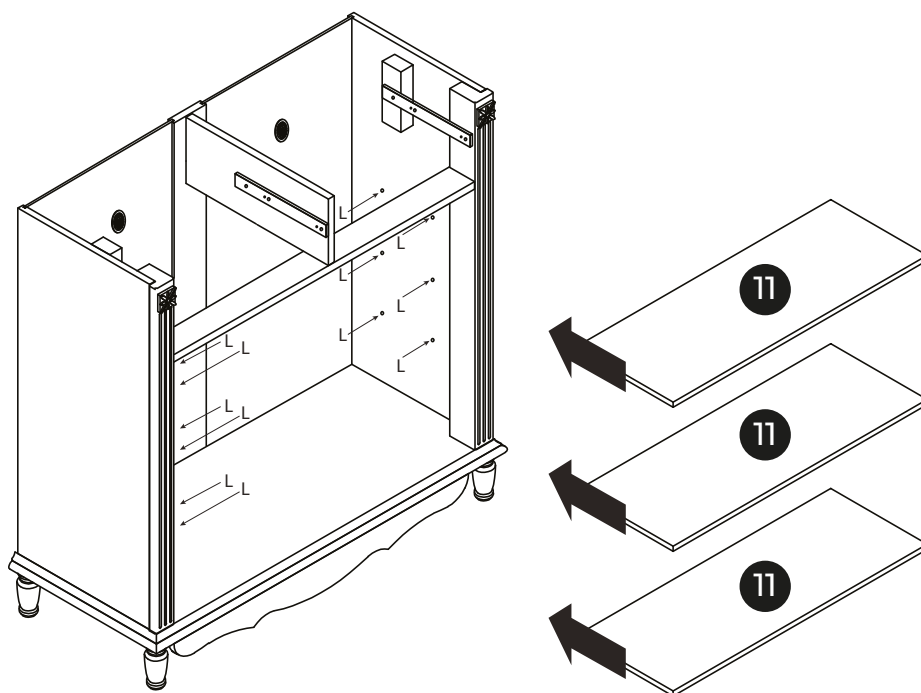
2



3

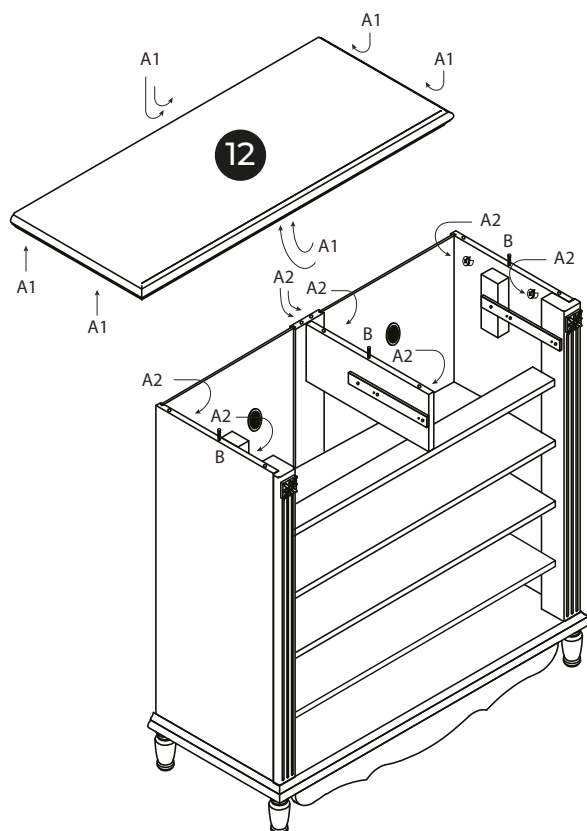



4



L  x12

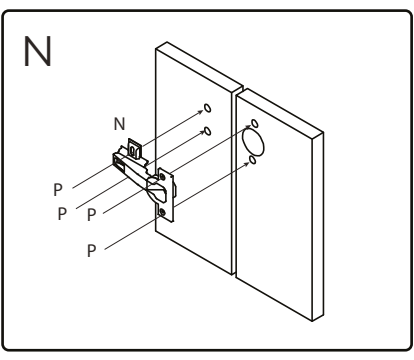
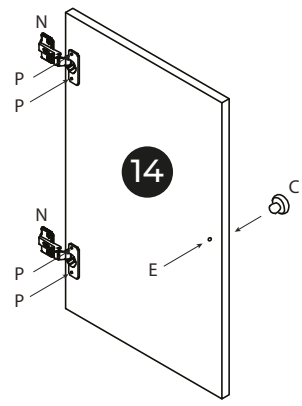
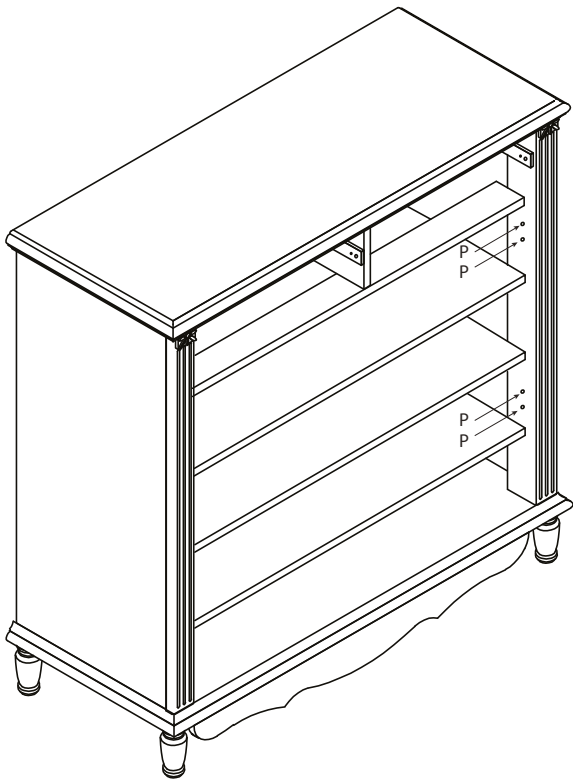
5




A  x8


B  x3

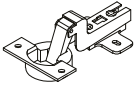
6



x2

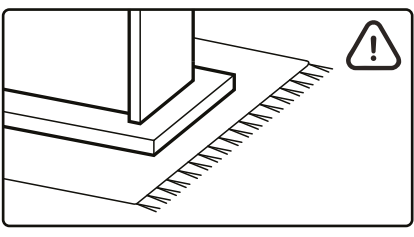
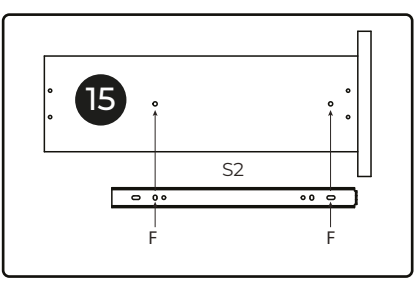
C  x2

E  x2

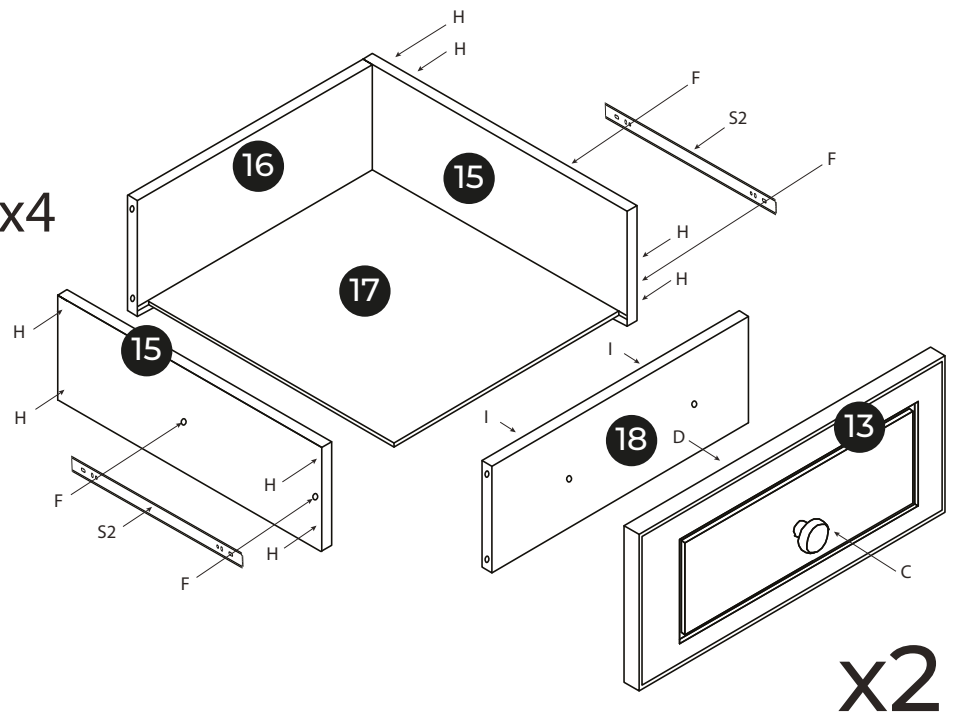
N  x4

P  x16


7





x4




x2

C  x2

D  x2

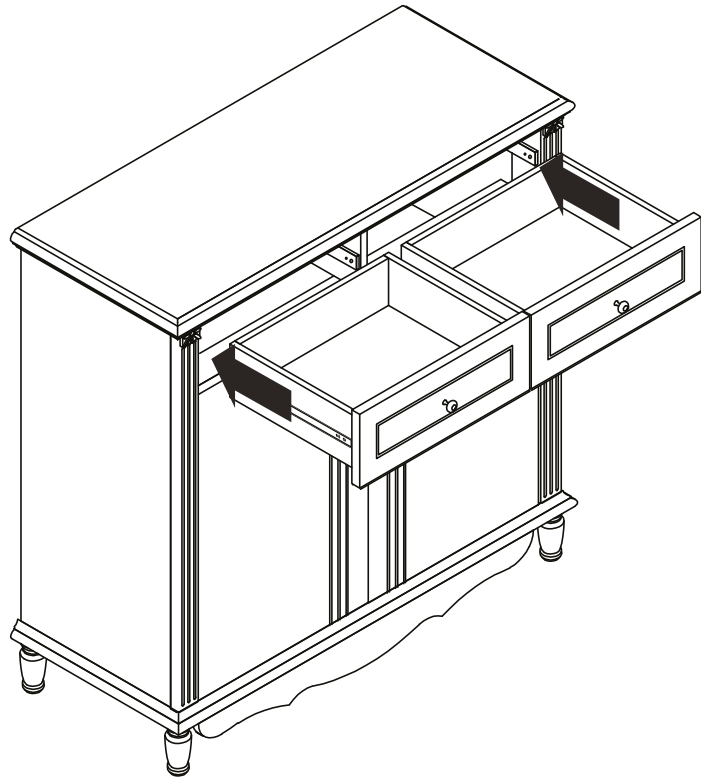
F  x8

H  x16

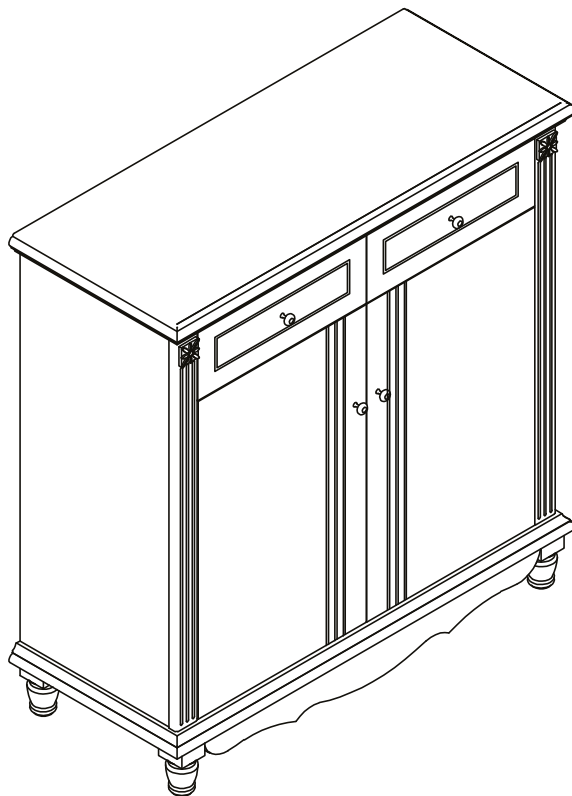
I  x4

S2  x4

8



9



10