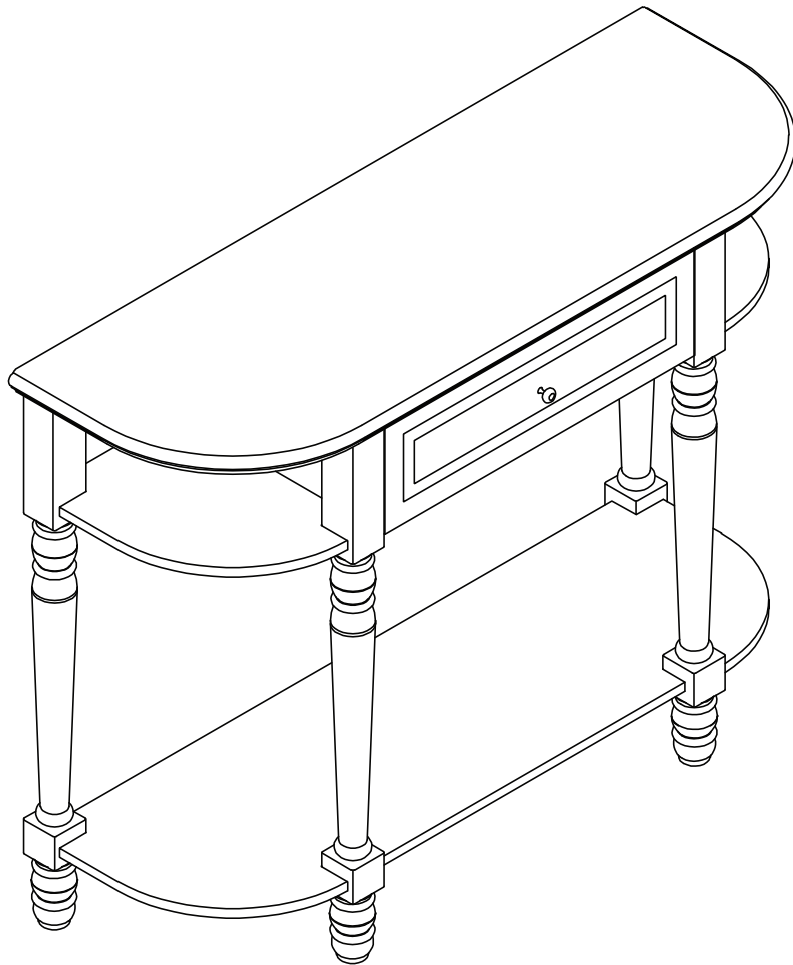
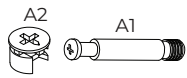
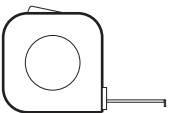
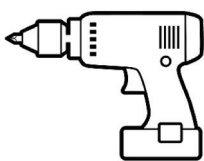
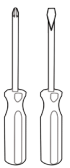
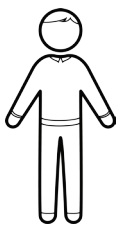
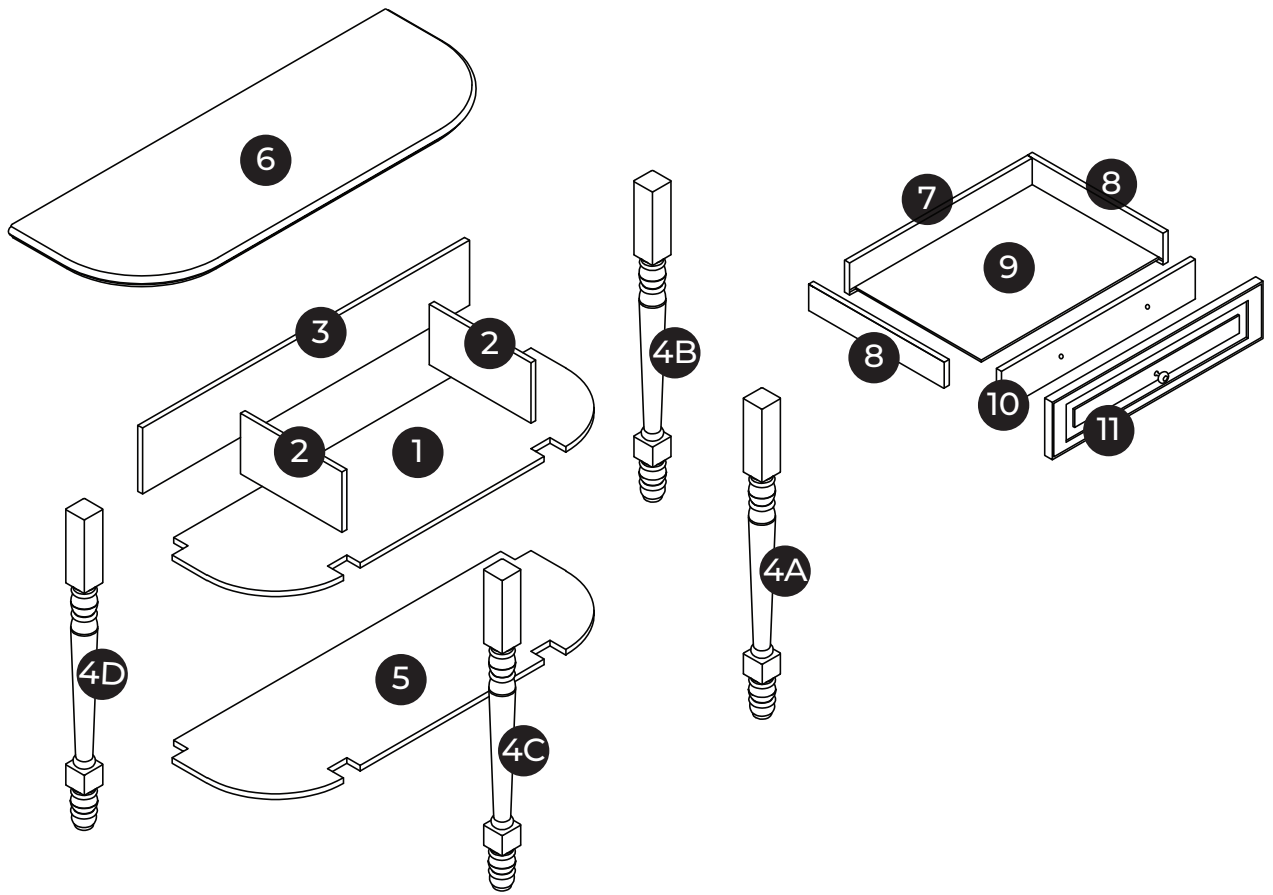


# 829

1200 x 430 x 800 mm



**BEMONDI**



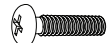
**A** x29  
 Ø 15 mm



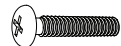
**B** x8  
 Ø 8 x 30 mm



**C** x4  
 Ø 3,5 x 12 mm



**D** x2  
 Ø 6 x 20 mm



**E** x4  
 Ø 6 x 25 mm



**F** x8  
 Ø 3,5 x 30 mm



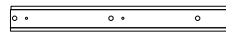
**G** x4  
 Ø 3,5 x 15 mm



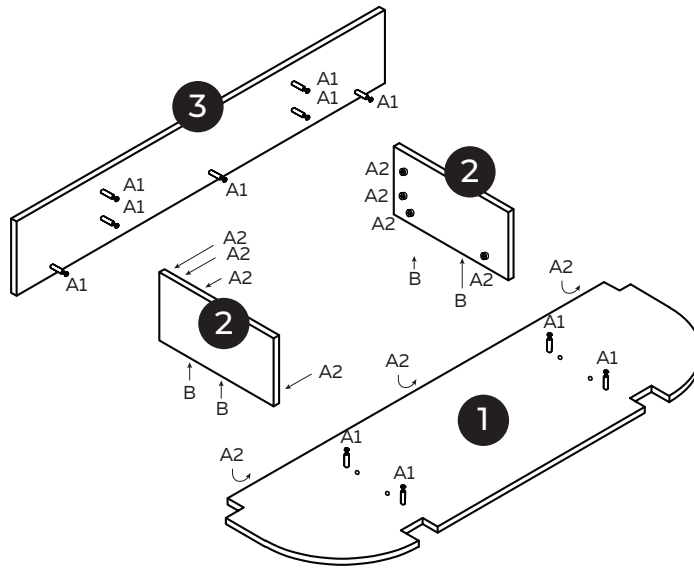
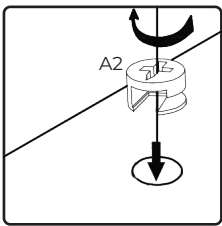
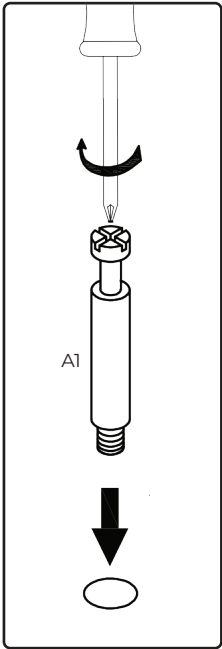
**H** x1


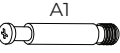


**I** x1  
 Ø 4 x 22 mm



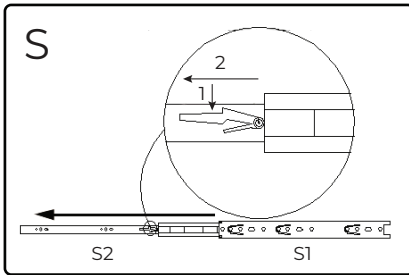
**S** x2  
 300 x 35 mm



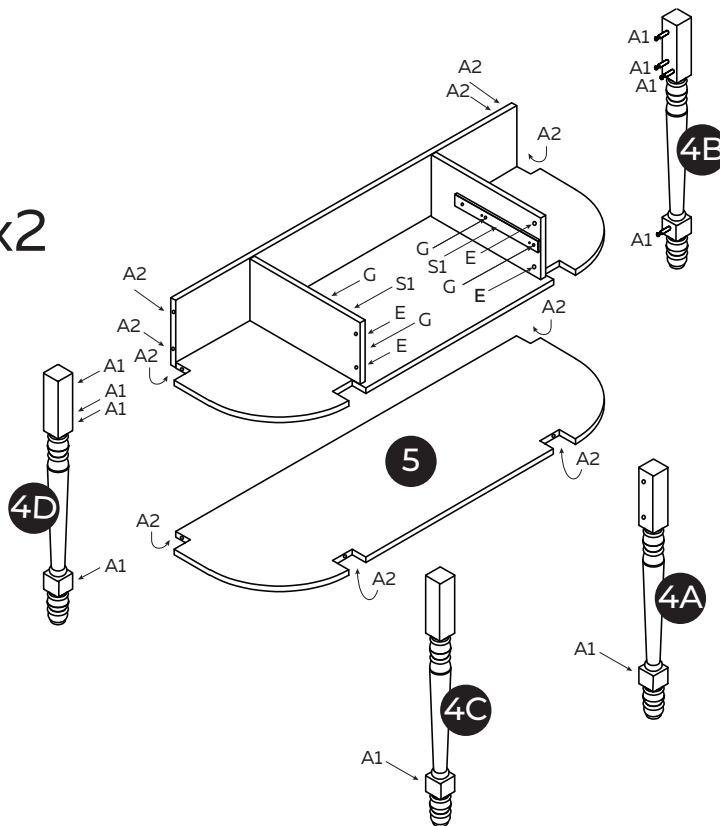
A   x11


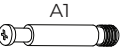
B  x4

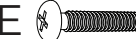
1




x2



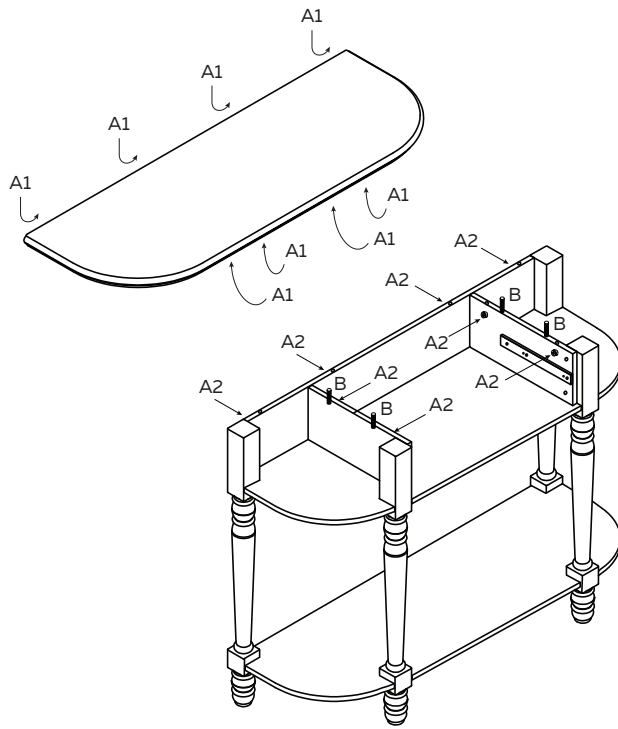
A   x10


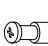
E  x4

G  x4

S1  x2

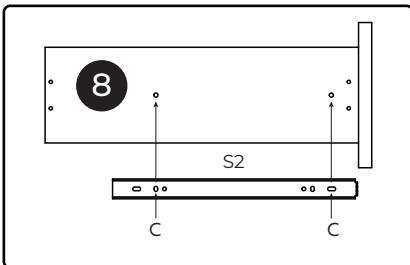
2



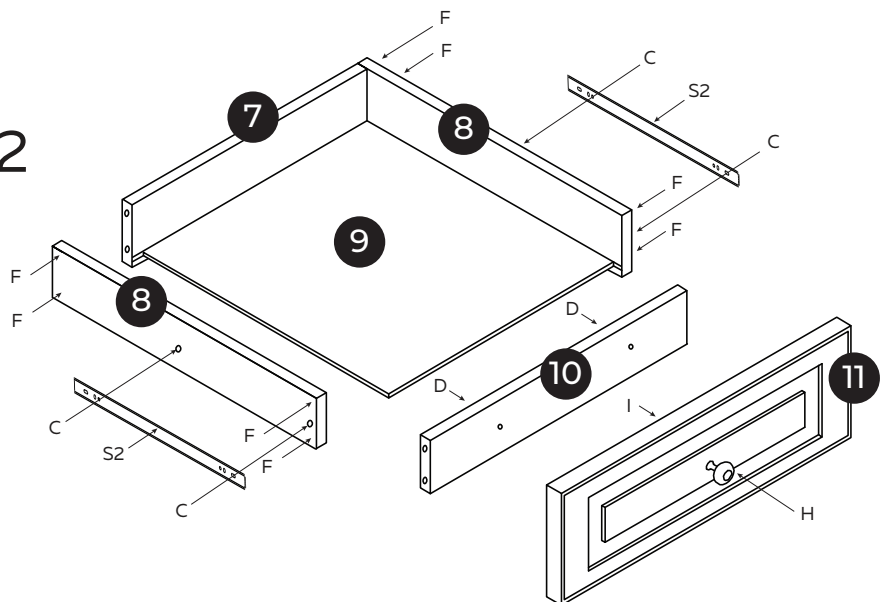
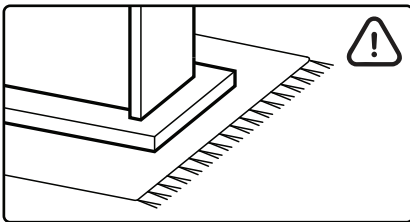
A   x8

B  x4


3



x2





C  x4

D  x2

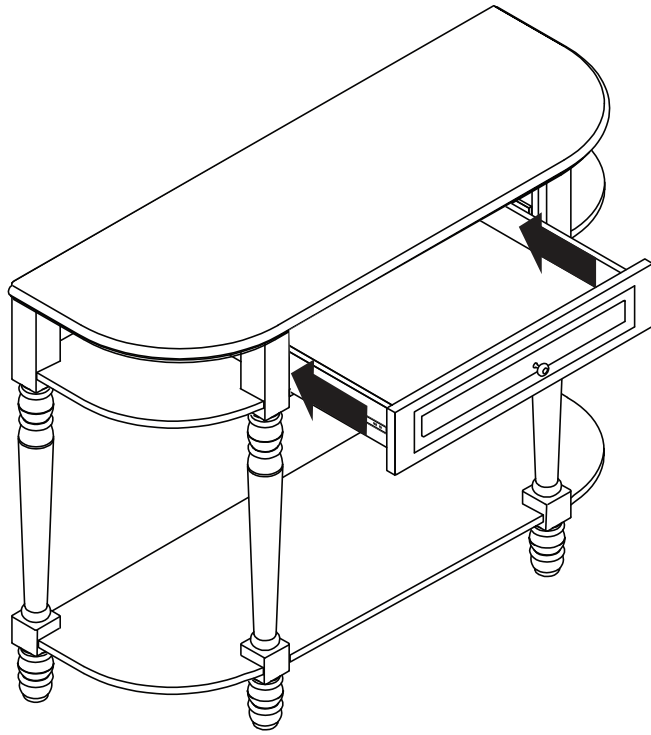
F  x8

H  x1

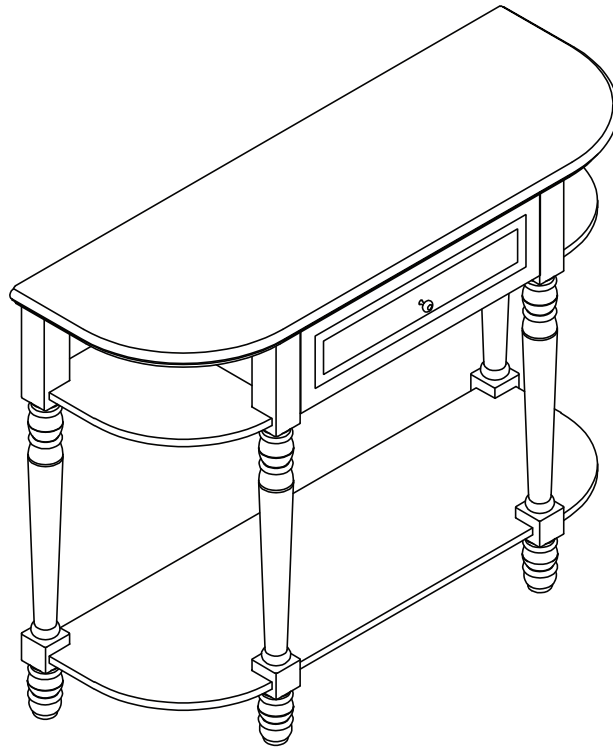
I  x1

S2  x2

4



5



6