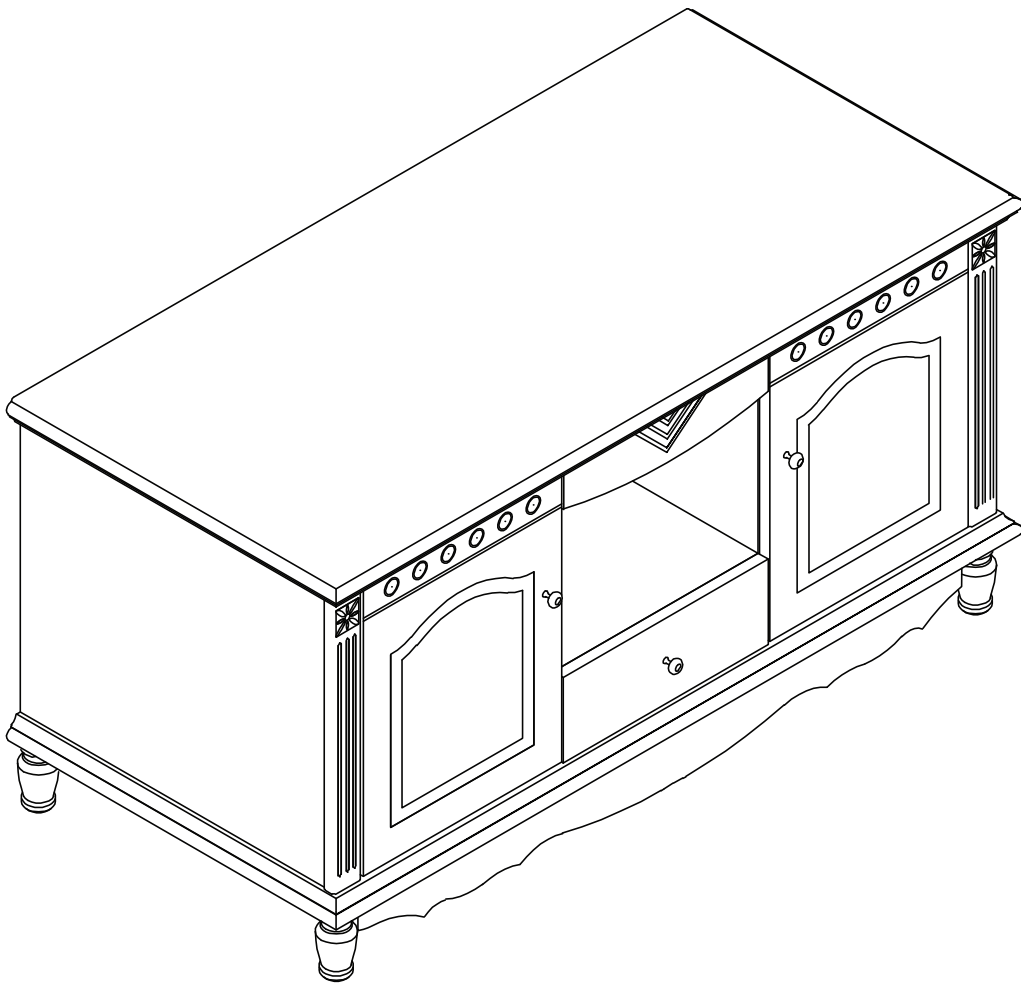
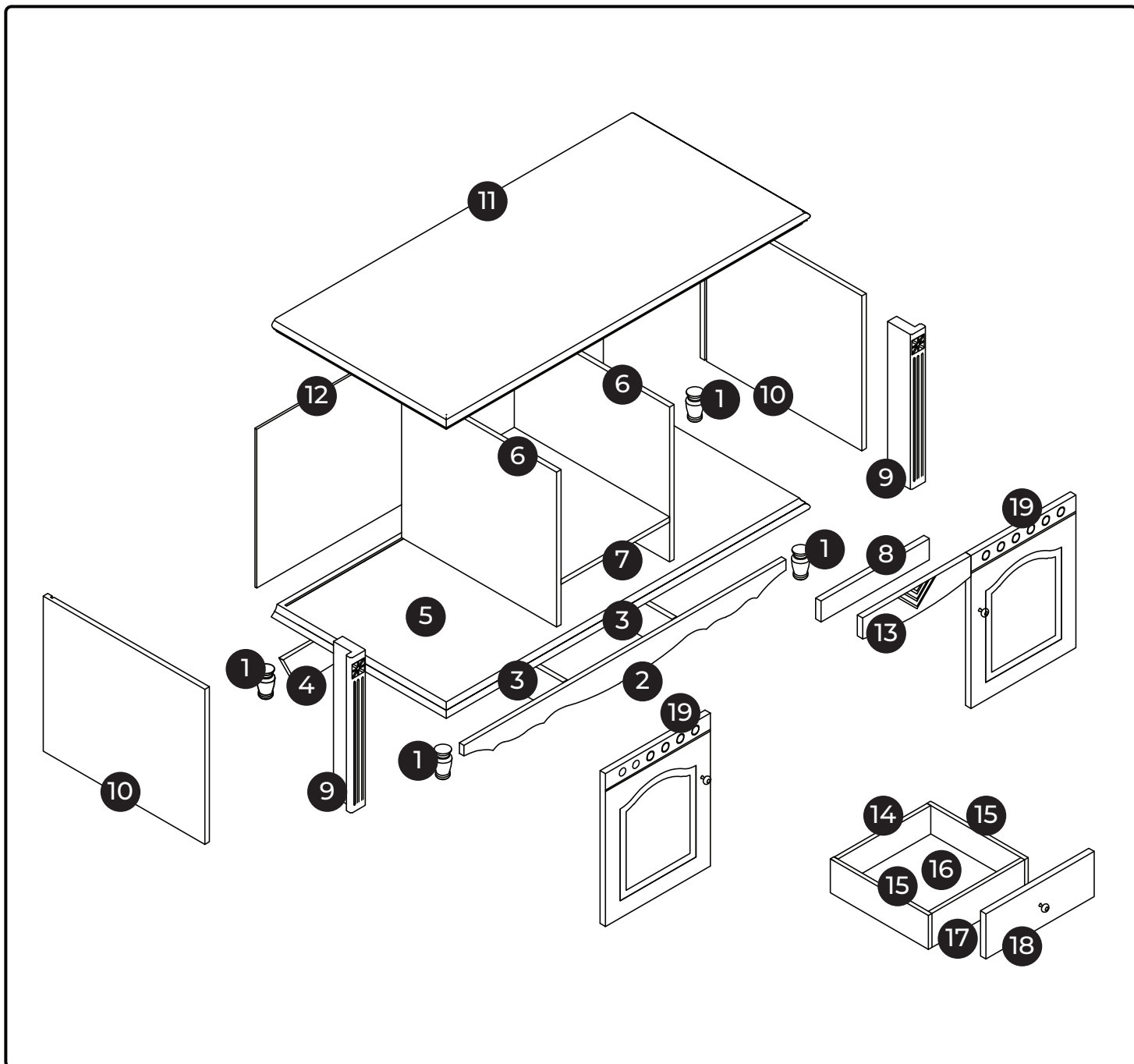


862

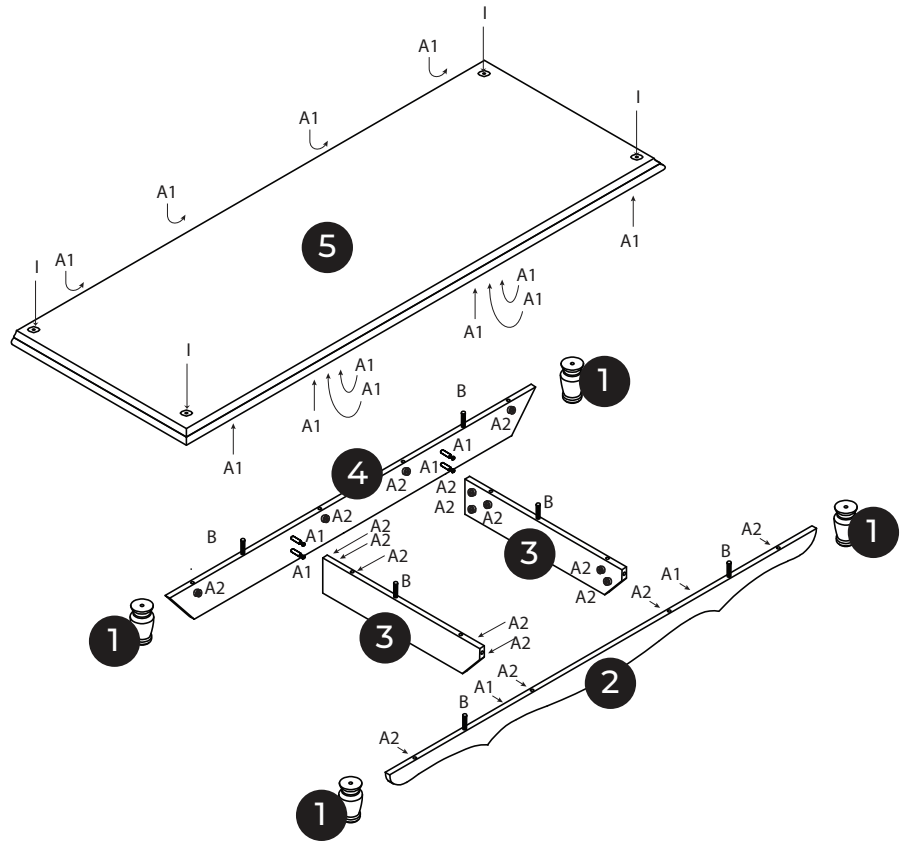
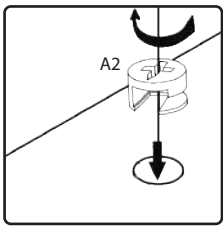
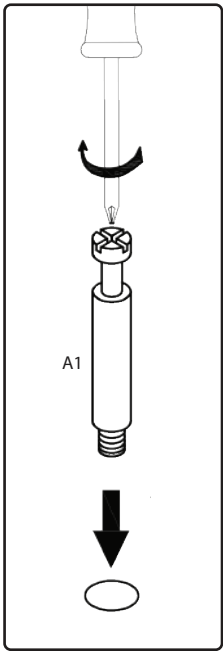
1200 x 580 x 630 mm


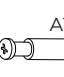


BEMONDI

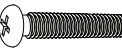


 A x38 Ø 15 mm	 B x30 Ø 8 x 30 mm	 C x4 Ø 3,5 x 12 mm	 D x4 Ø 3,5 x 15 mm	 E x8 Ø 3,5 x 35 mm
 F x2 Ø 6 x 20 mm	 G x2 Ø 6 x 25 mm	 H x4 Ø 6 x 45 mm	 I x4 Ø 8 x 45 mm	 J x16 Ø 4 x 10 mm
 K x1 Ø 4 x 20 mm	 L x2 Ø 4 x 22mm	 M x3	 O x4	 S x2 300 x 35 mm

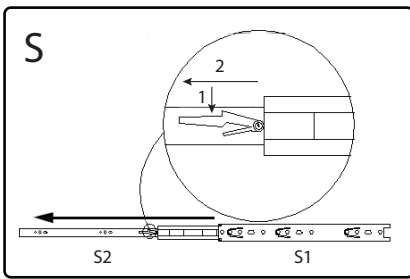


A   x18

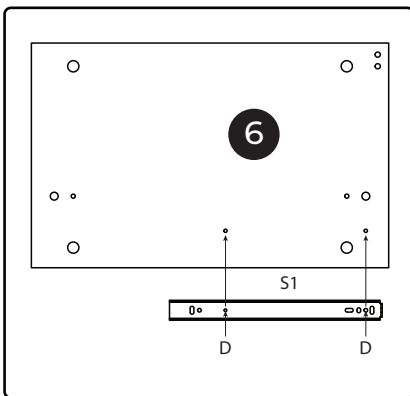
B  x6

I  x4

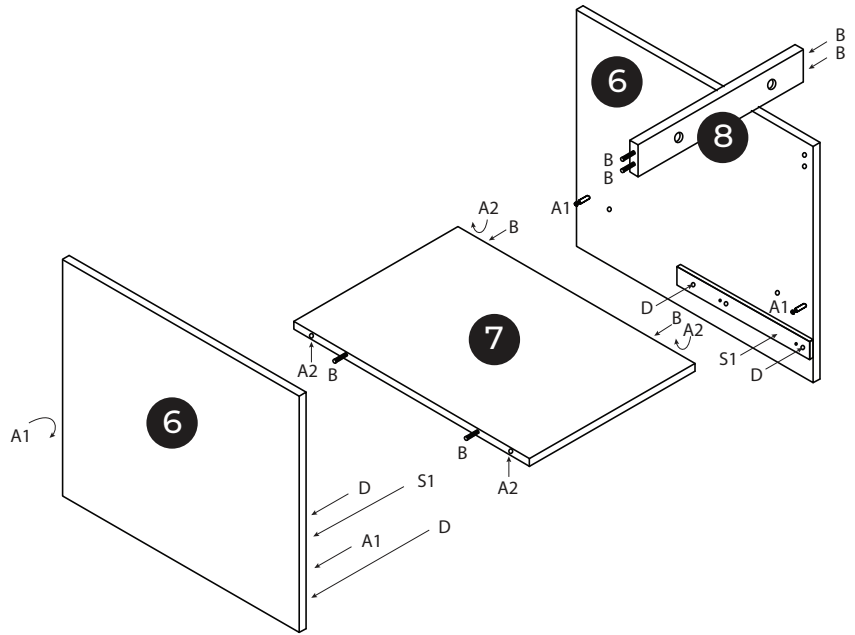
1


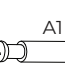


x2




x2



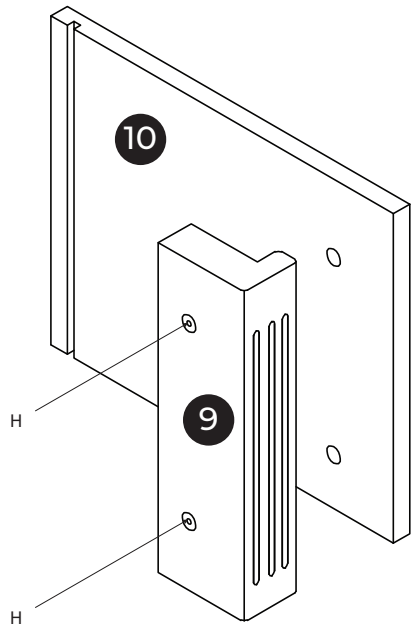
A   x4

B  x8

D  x4

S1  x2

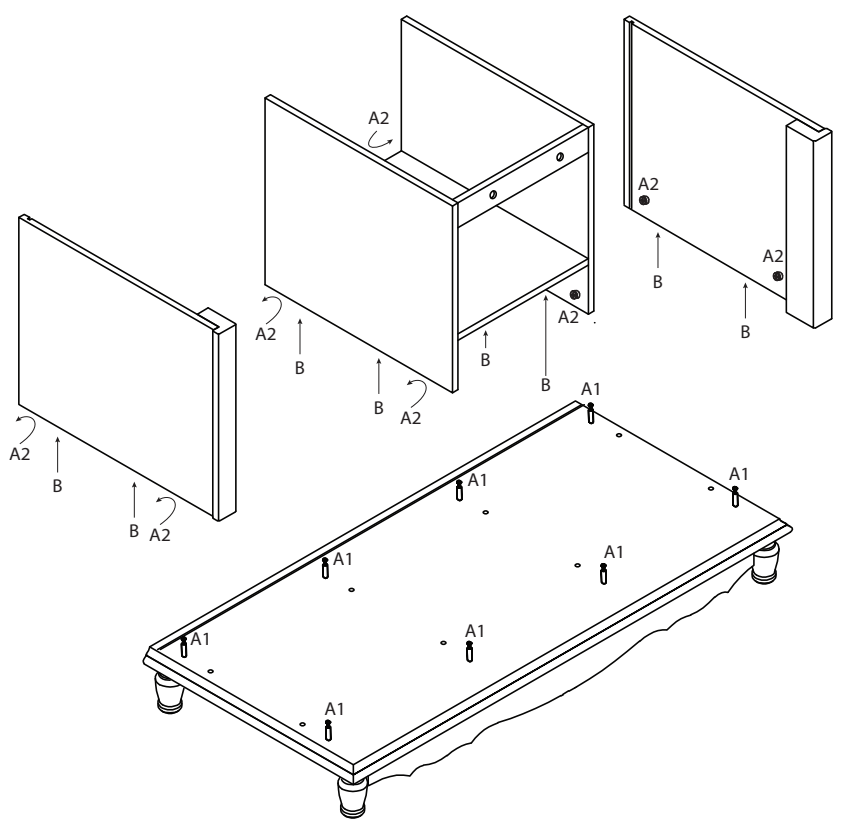
2


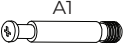


x2

H  x4

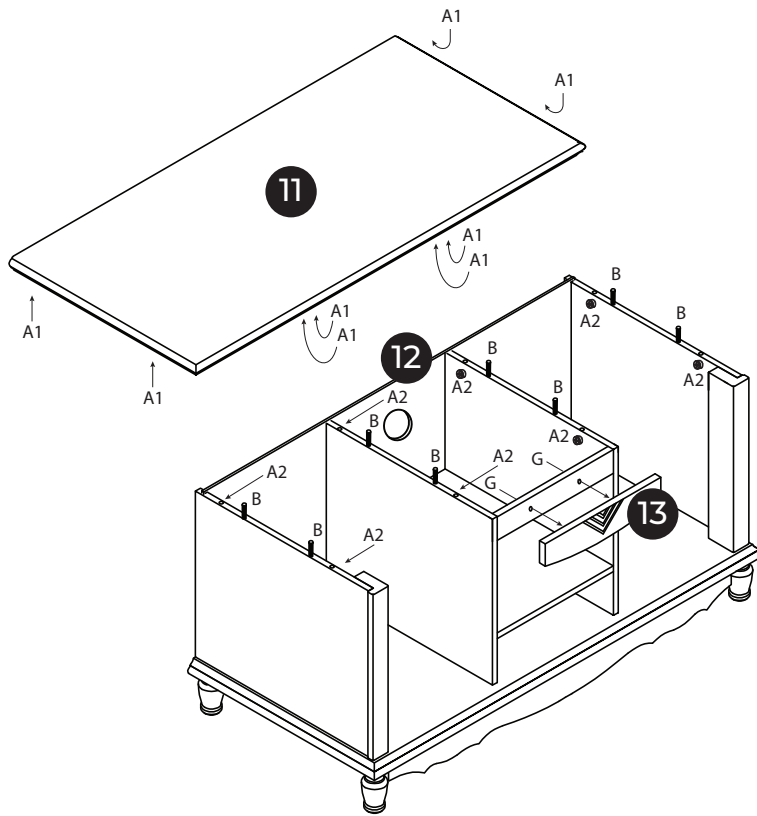
3

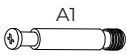


A   x8


B  x8

4

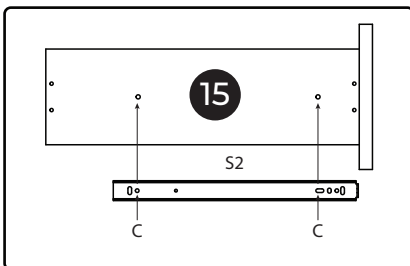


A  x8

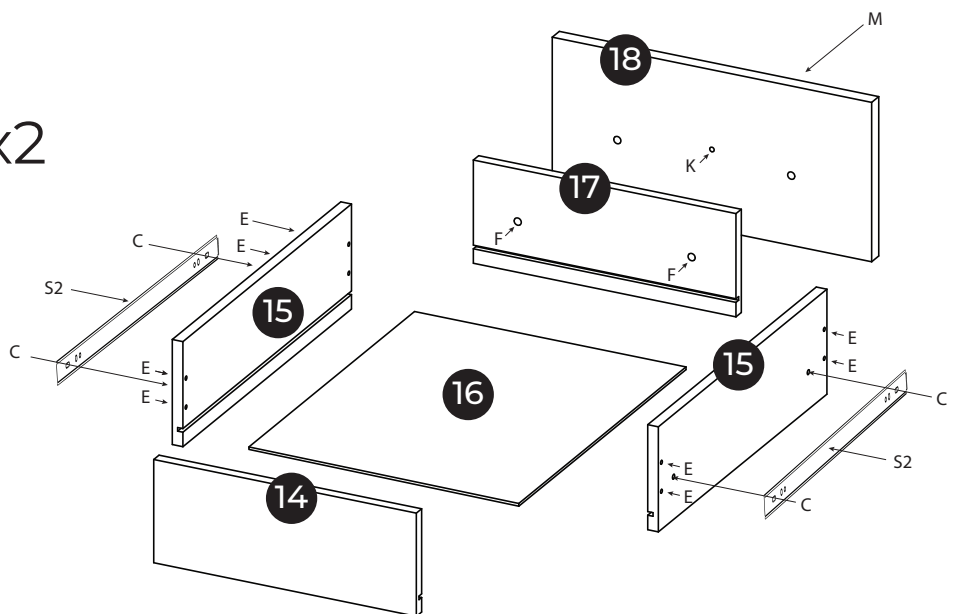
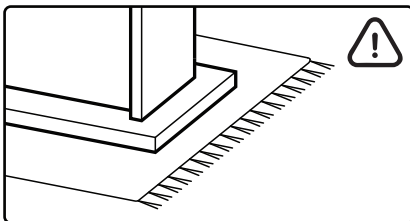
B  x8

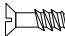
G  x2

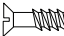
5

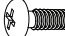


x2



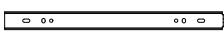
C  x4

E  x8

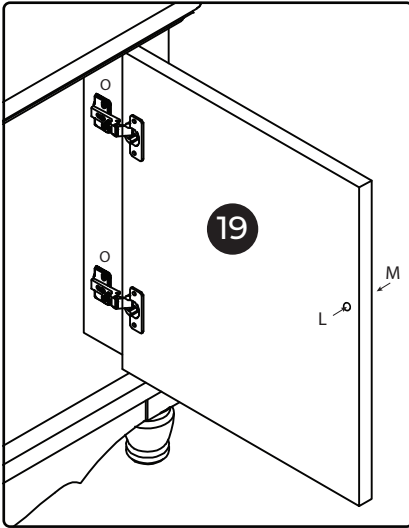
F  x2

K  x1

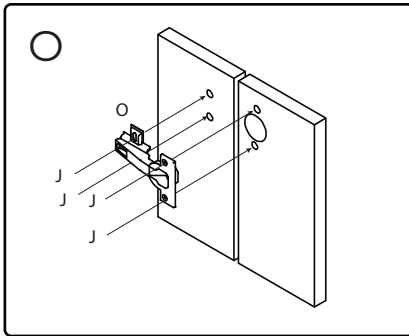
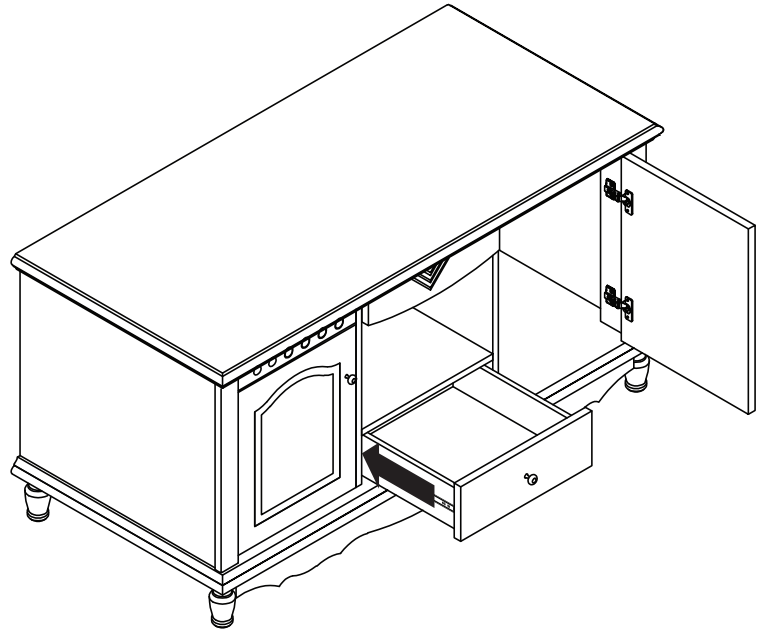
M  x1

S2  x2

6




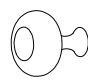
x2

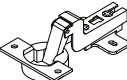


x4

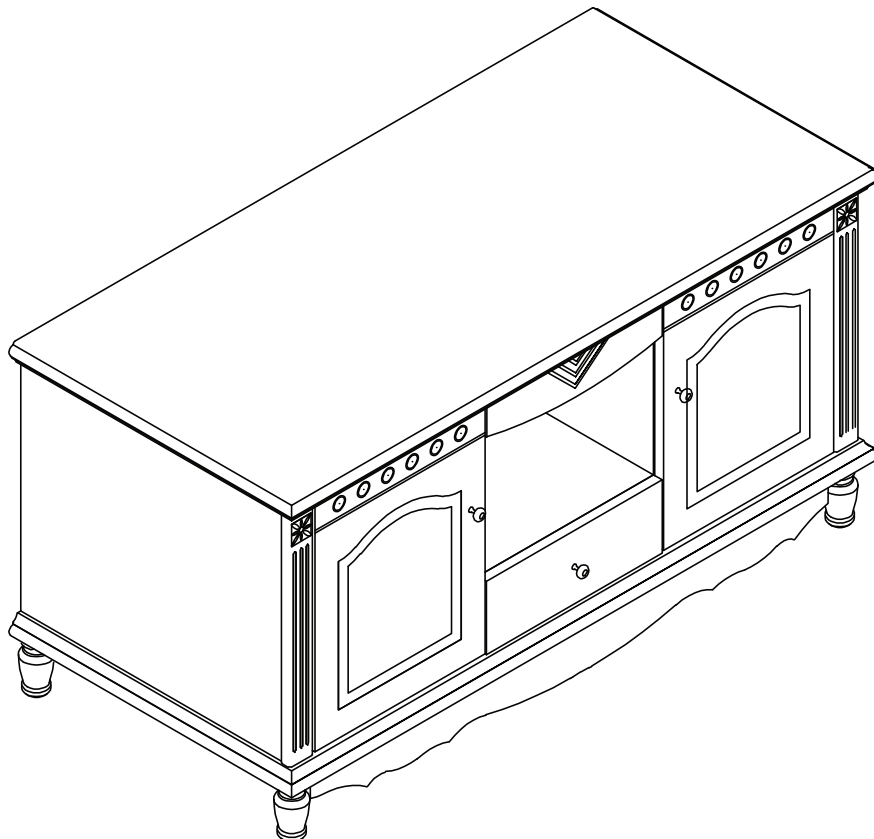
J  x16

L  x2

M  x2

O  x4

7



8