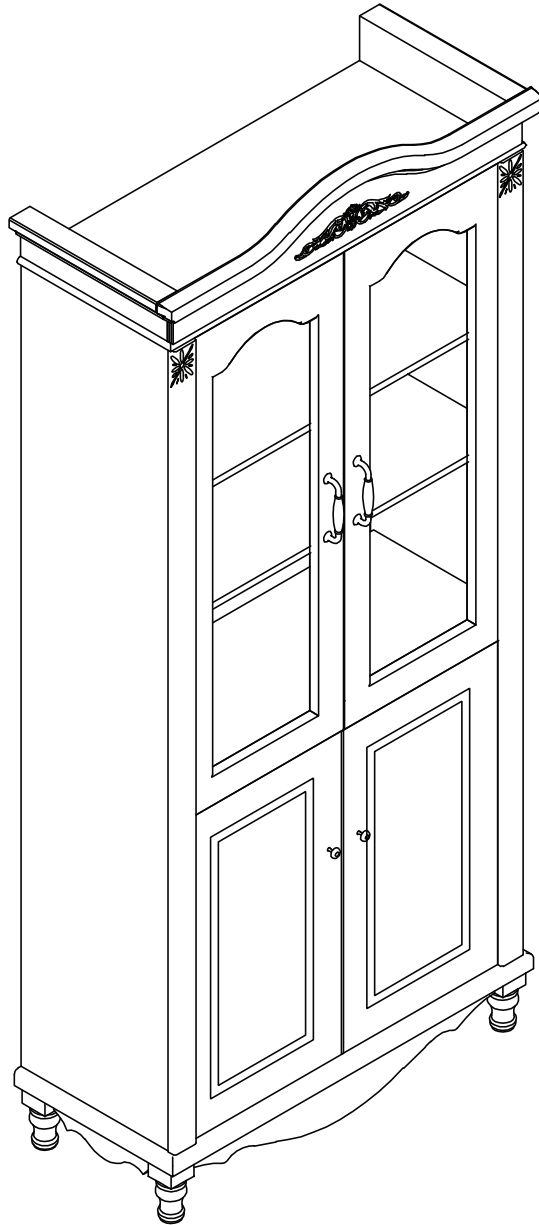
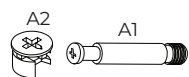
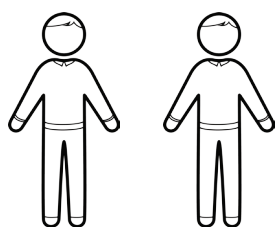
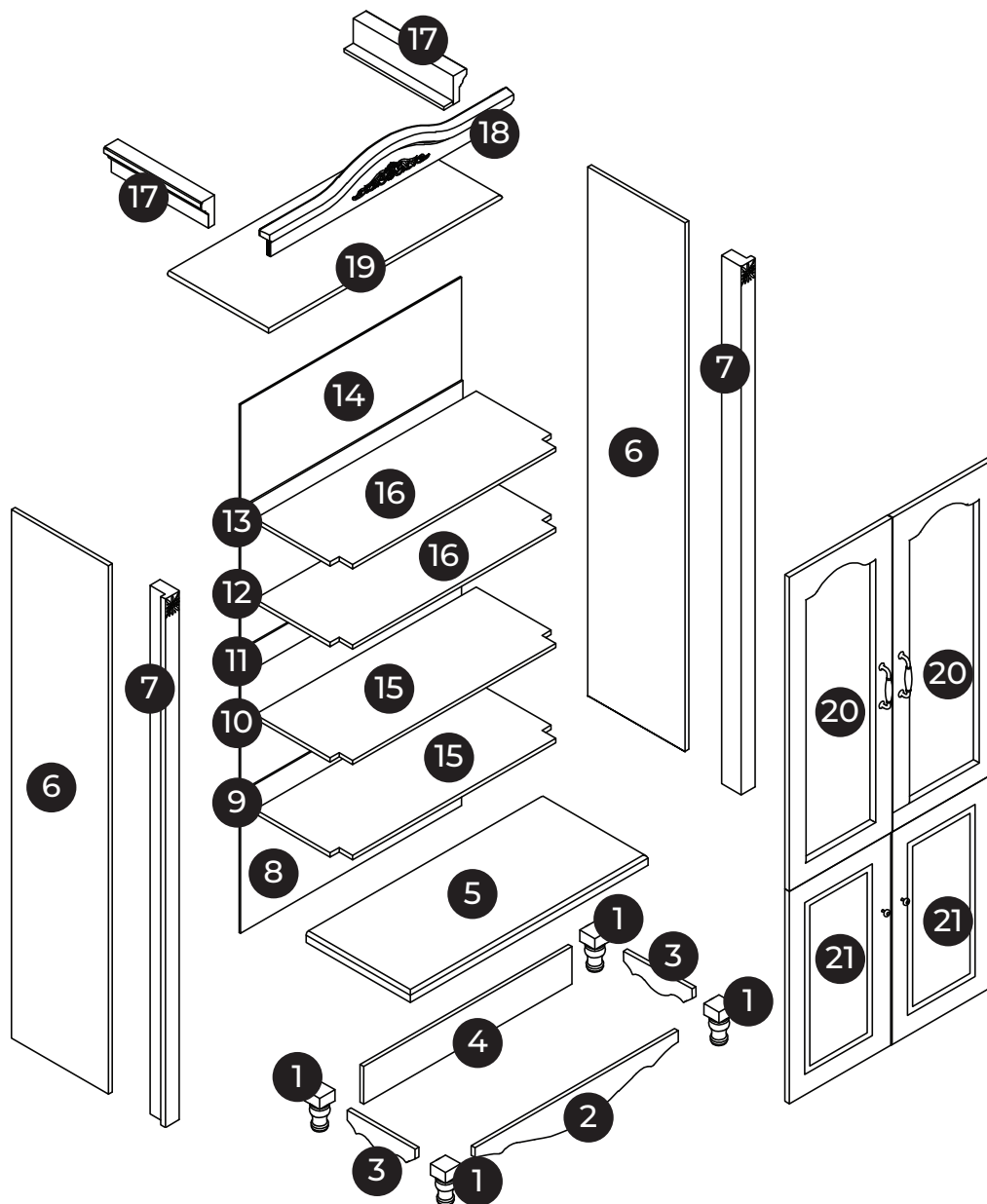


# 881

980 x 430 x 2230 mm



**BEMONDI**



**A** x41  
 Ø 15 mm



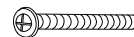
**B** x10  
 Ø 8 x 30 mm



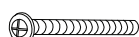
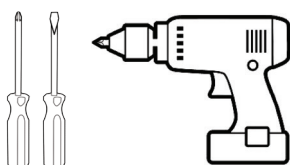
**C** x2



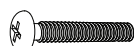
**D** x2



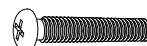
**E** x2  
 Ø 4 x 22 mm



**F** x4  
 Ø 4 x 25 mm



**G** x8  
 Ø 6 x 40 mm



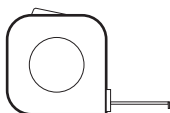
**H** x4  
 Ø 8 x 50 mm



**I** x6  
 Ø 3,5 x 25 mm



**J** x8  
 Ø 3,5 x 15 mm



**K** x10



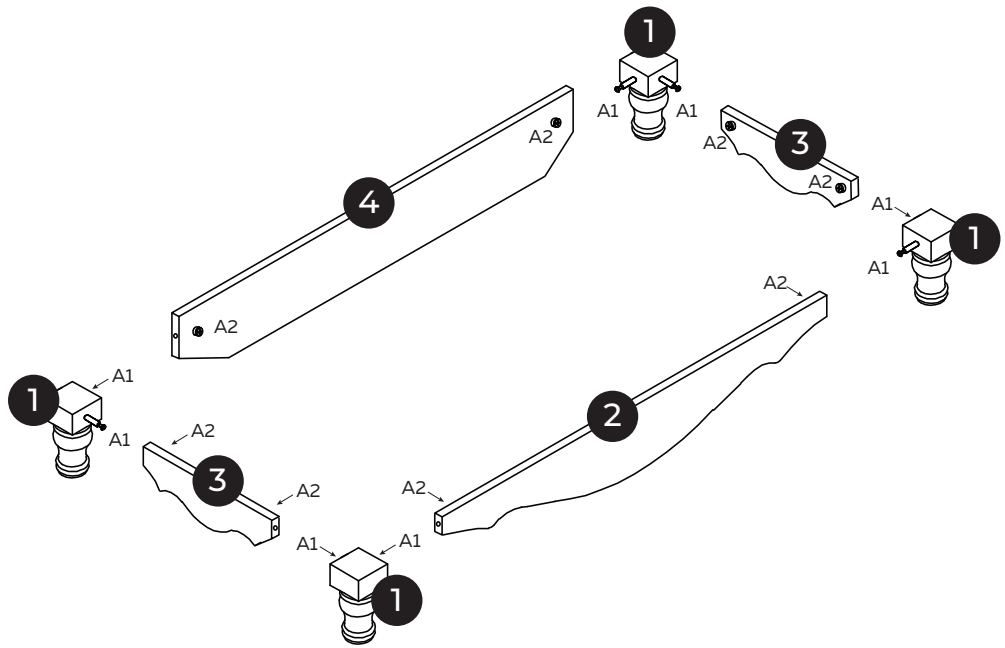
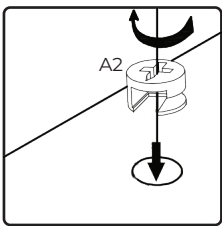
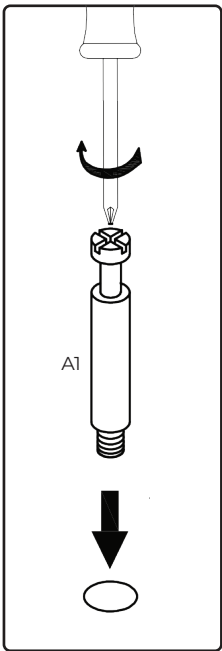
**L** x40  
 Ø 4 x 10 mm


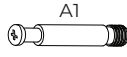


**M** x2  
 17 x 17 x 26 mm

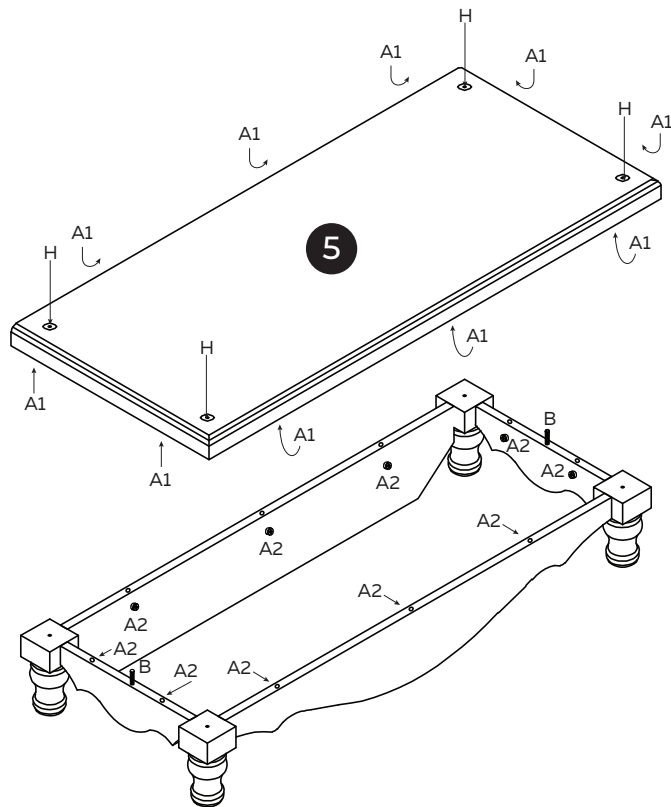



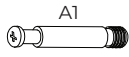
**N** x16



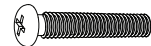
A   x8

1

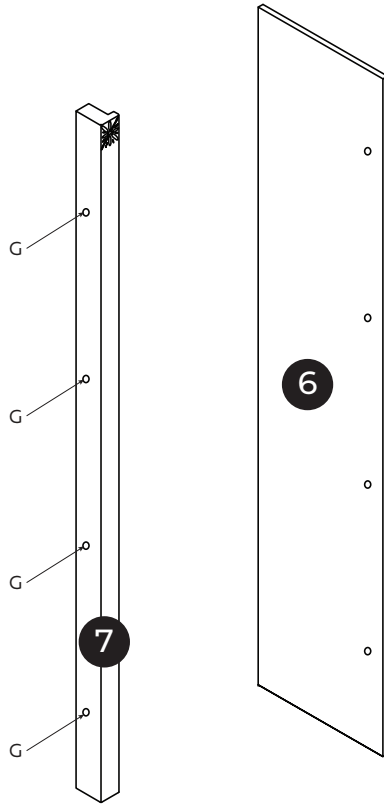
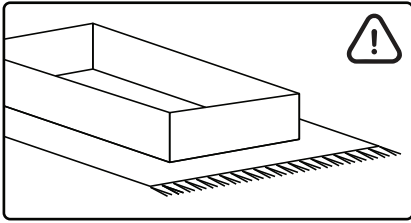


A   x10

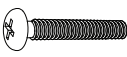
B  x2

H  x4

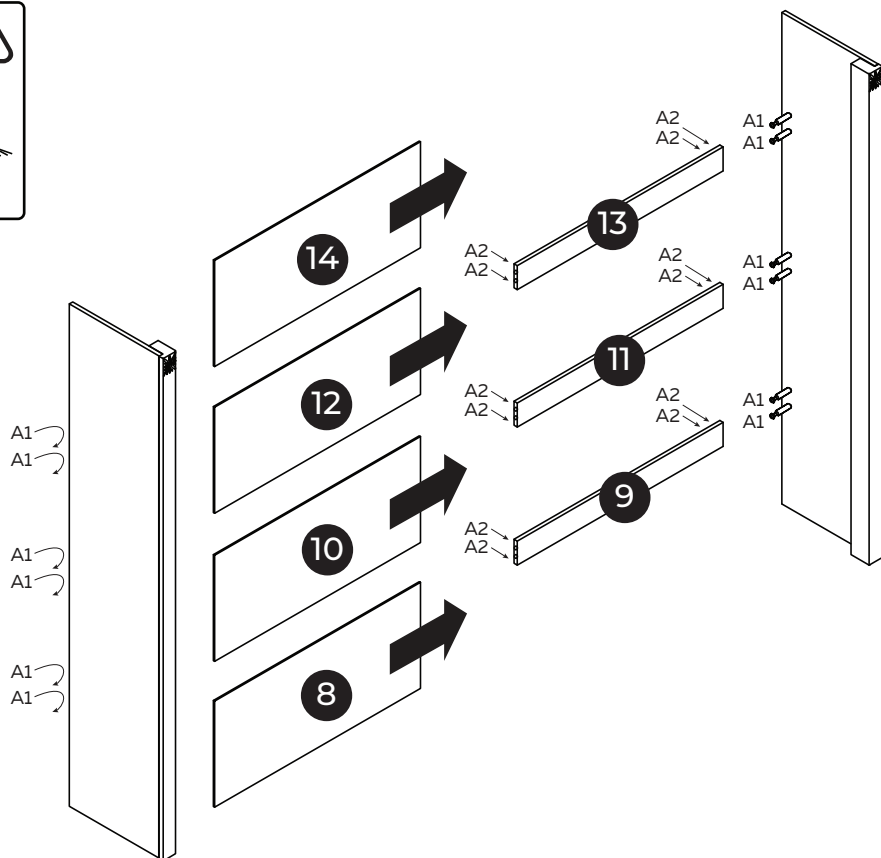
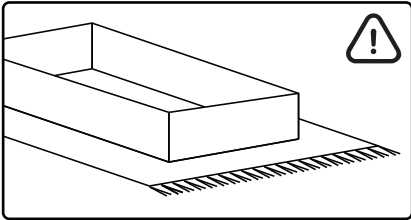
2


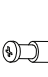


x2

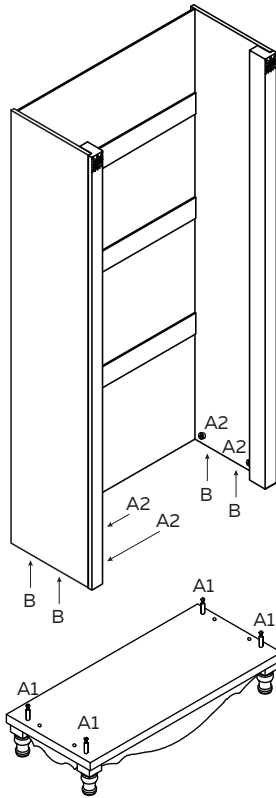
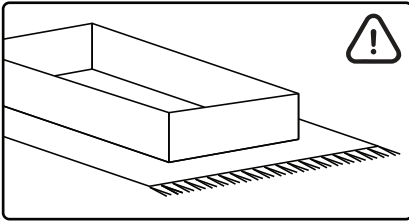
G  x8


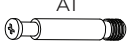
3



A  A2  A1 x12

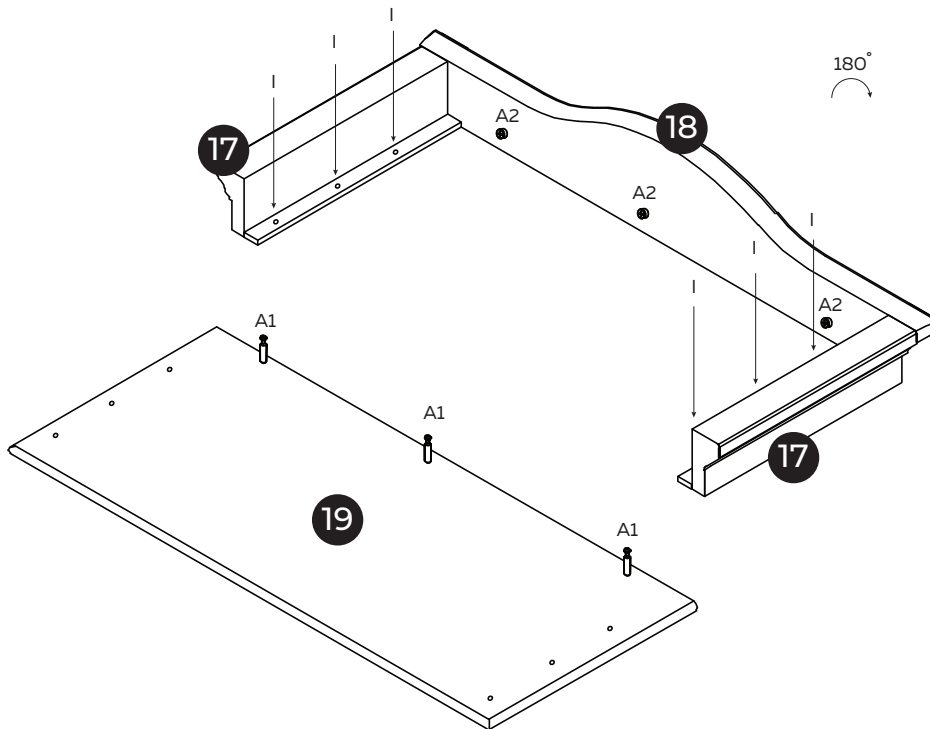
4


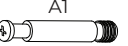



A   x4

B  x4

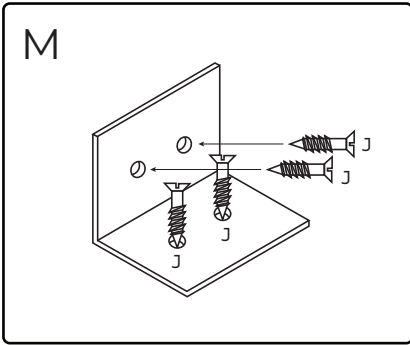
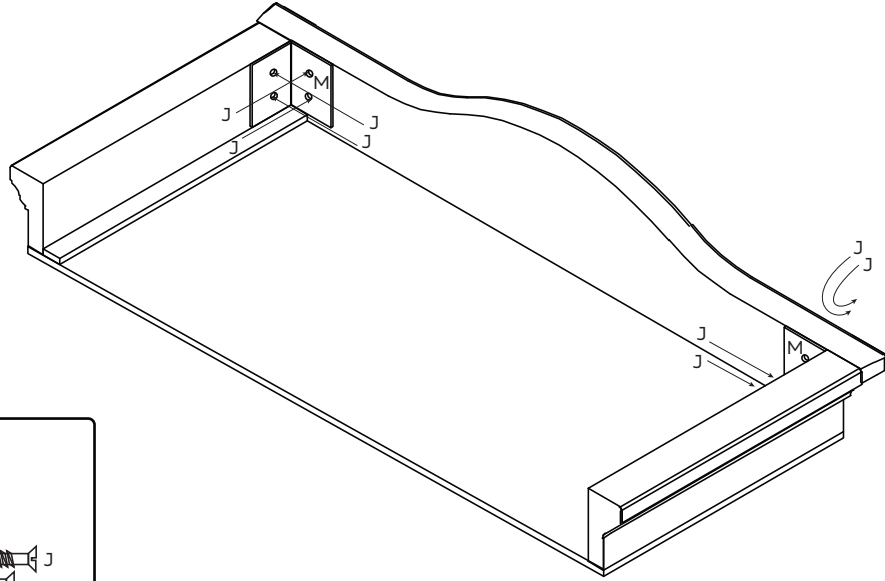
5

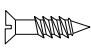


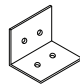
A   x3

I  x6

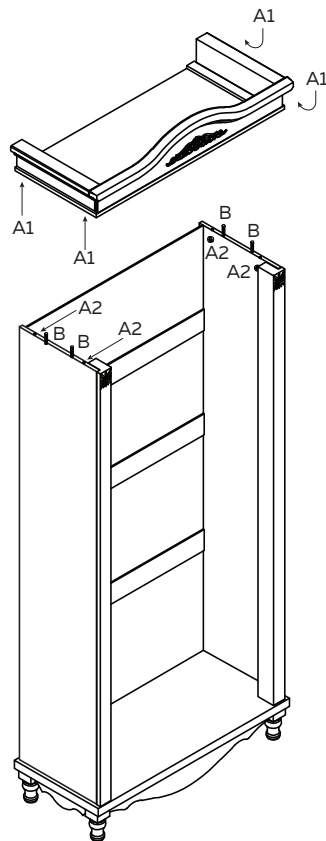
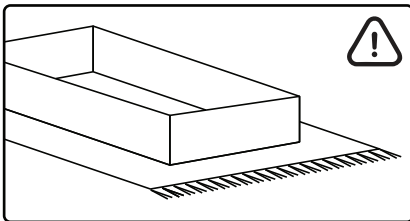
6




J  x8

M  x2

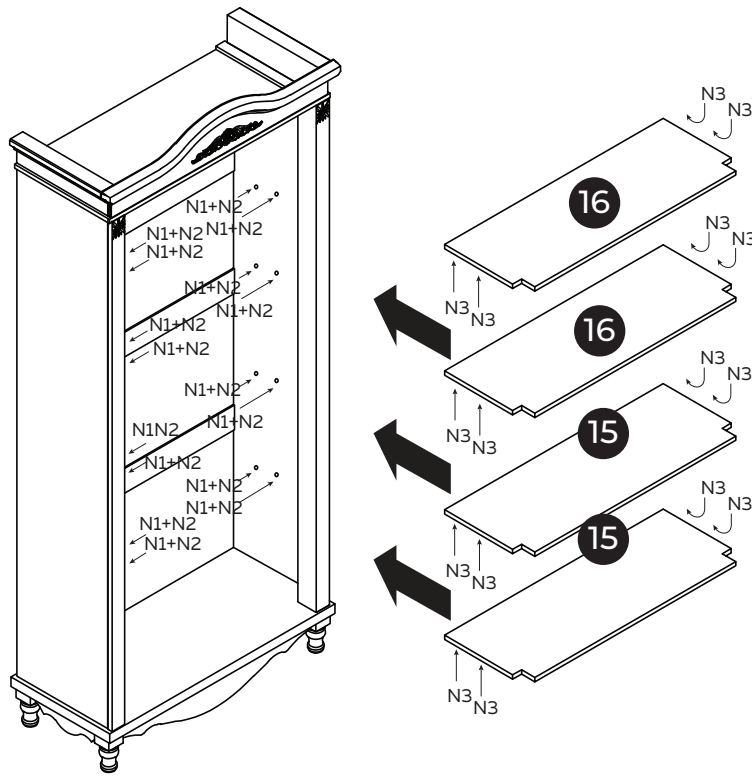
7


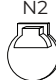



A  x4

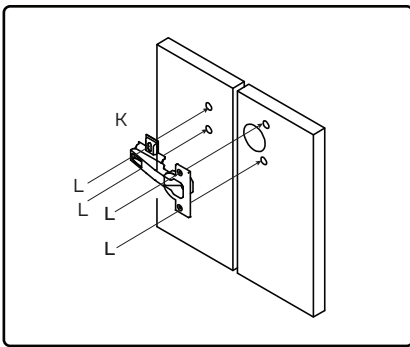
B  x4

8

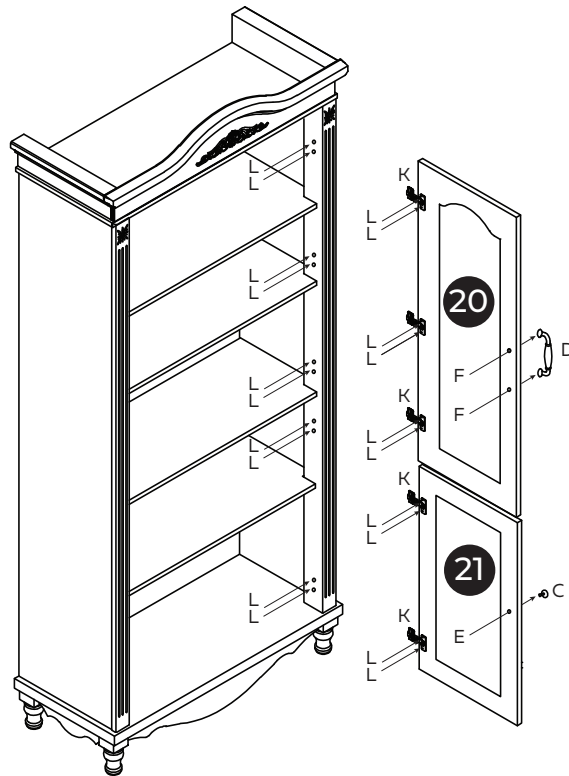


N    x16

9



x10



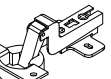
x2

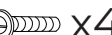
C  x2

D  x2

E  x2

F  x4

K  x10

L  x40

10

