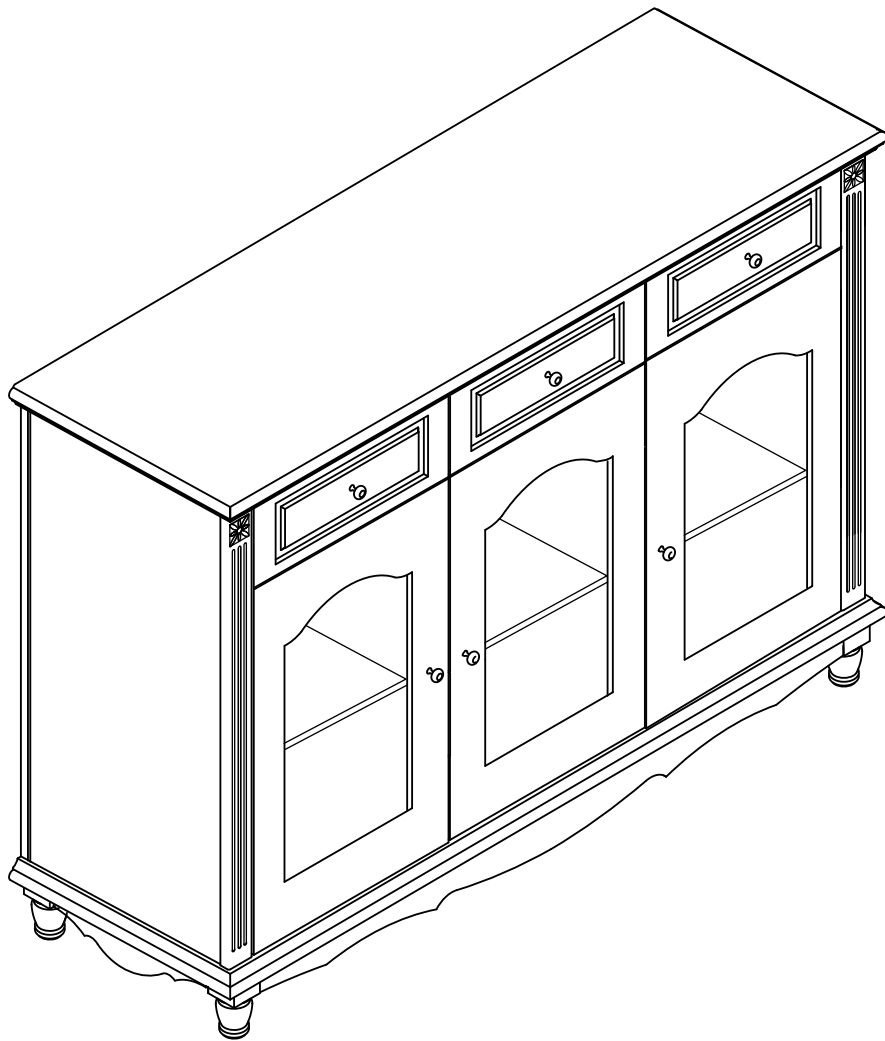
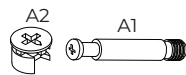
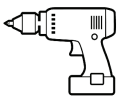
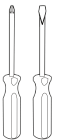
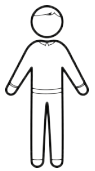
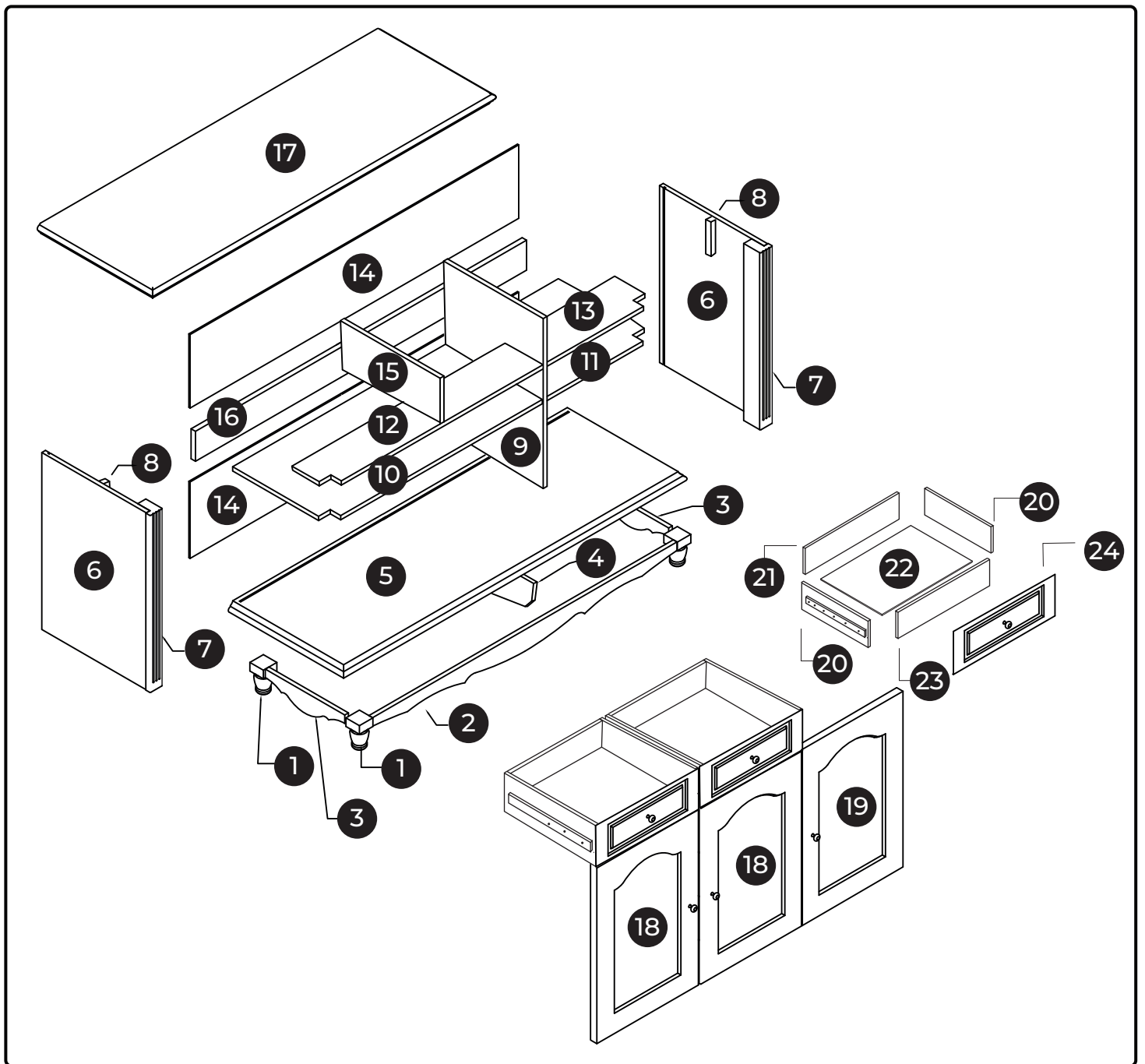


885

1400 x 470 x 950 mm



BEMONDI



A x52
 Ø 15 mm



B x23
 Ø 8 x 30 mm



C x6



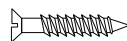
D x6
 Ø 4 x 22 mm



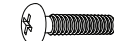
F x12
 Ø 3,5 x 12 mm



G x48
 Ø 3,5 x 15 mm



H x24
 Ø 3,5 x 35 mm



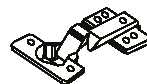
I x6
 Ø 6 x 20 mm



J x10
 Ø 6 x 40 mm



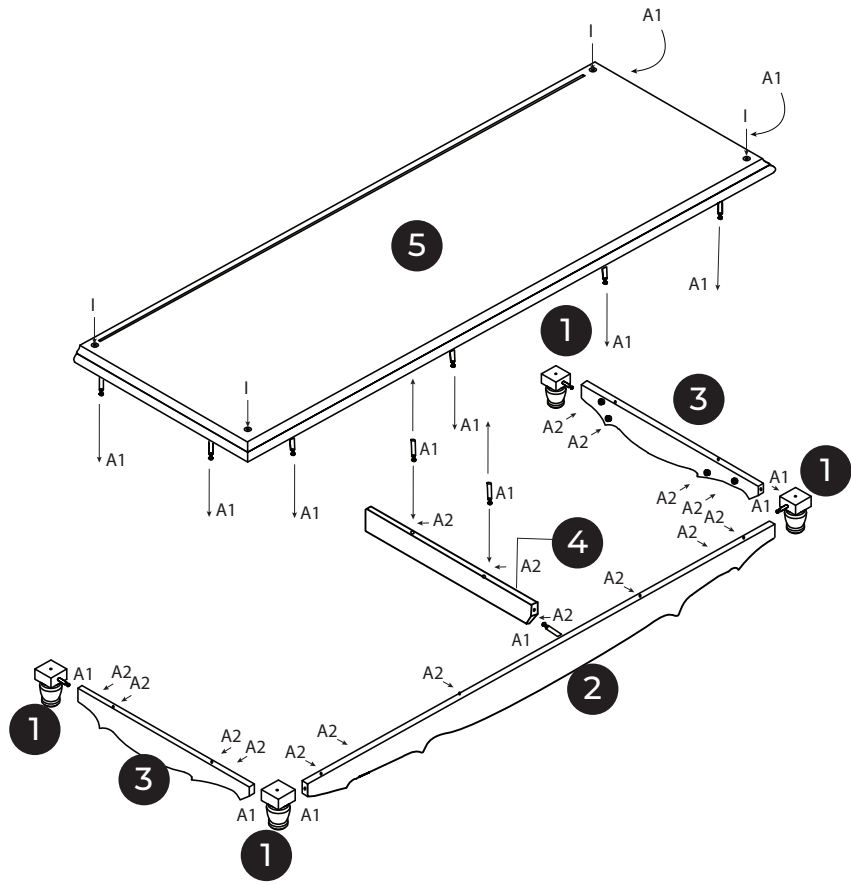
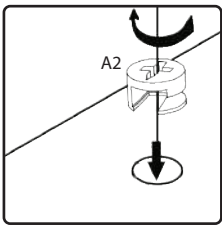
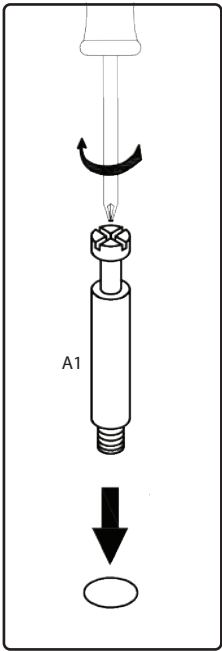
K x4
 Ø 8 x 50 mm


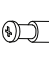


L x6



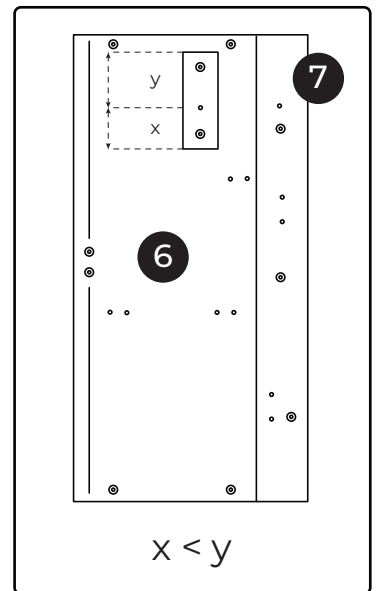
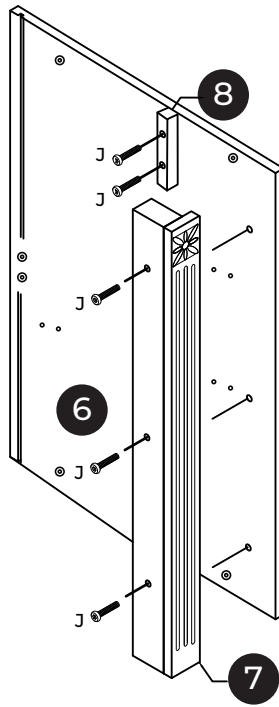
S x6
 300 x 35 mm



A   x17

I  x4

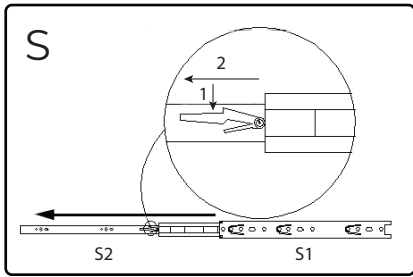
1



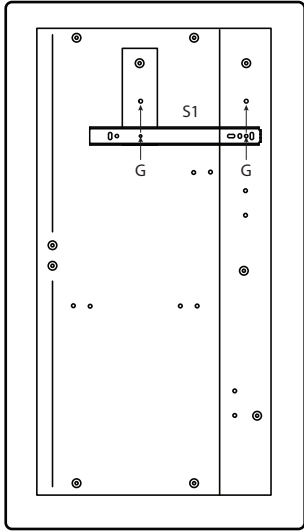
x2

J  x10

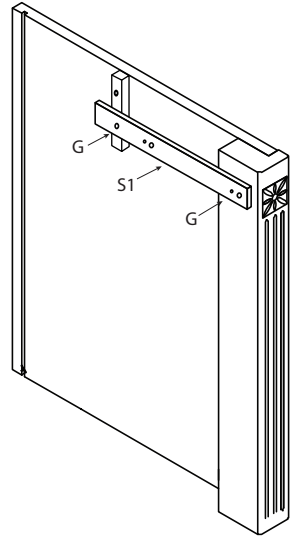
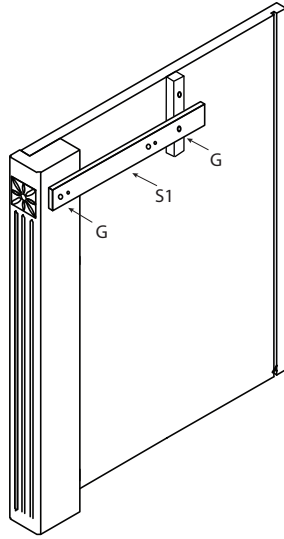
2

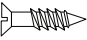



x2



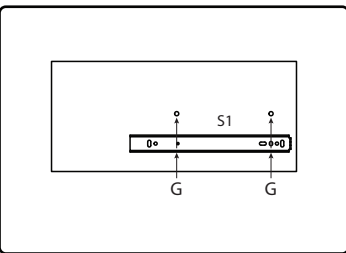
x2



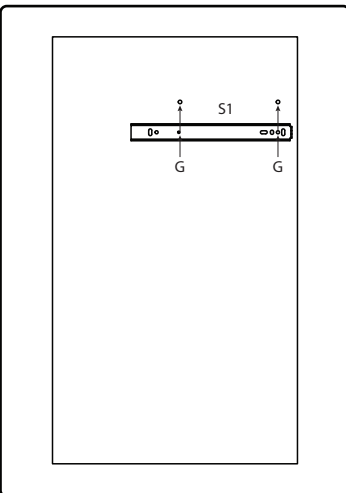
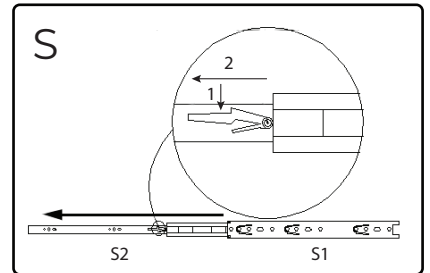
G  x4

S1  x2

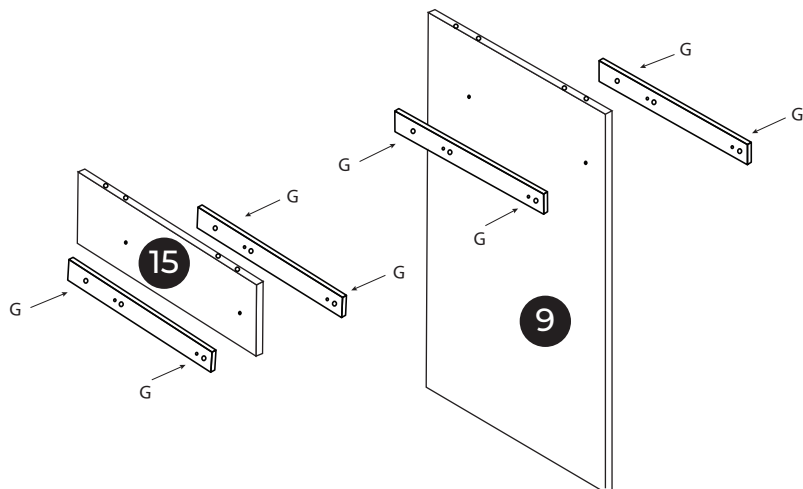
3



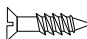
x2

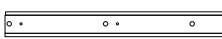


x2

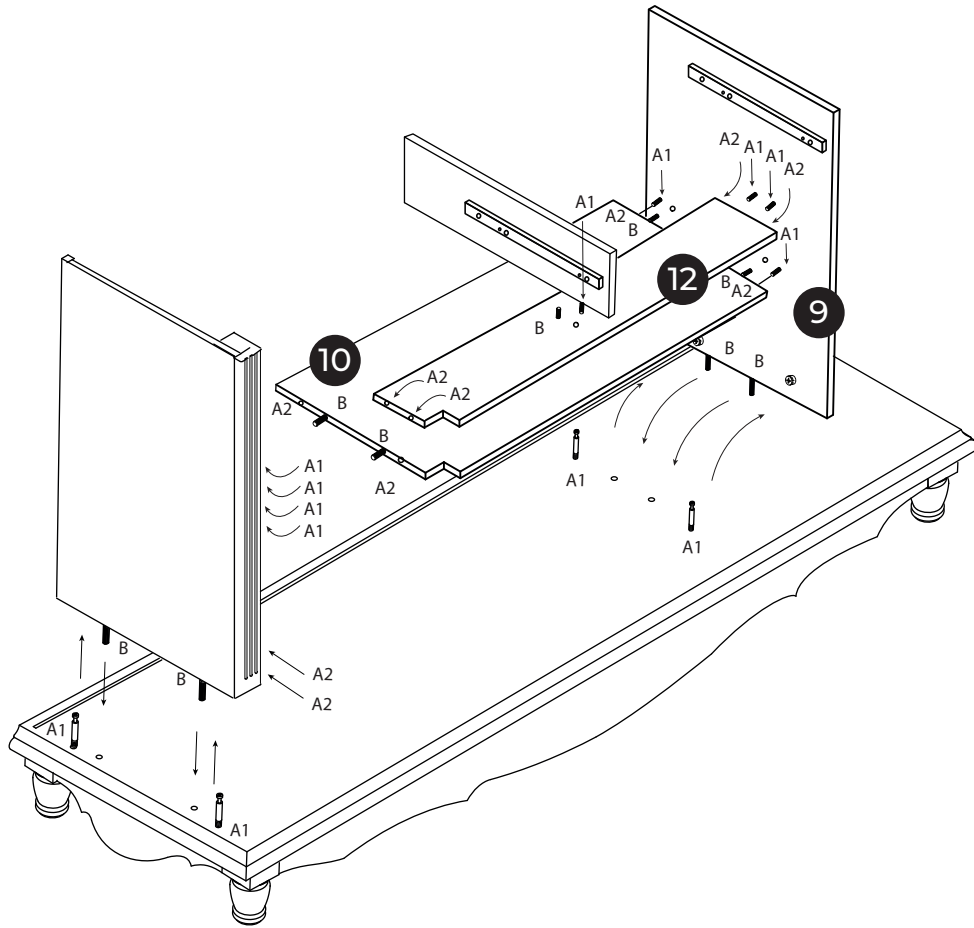




x4

G  x8

S1  x4

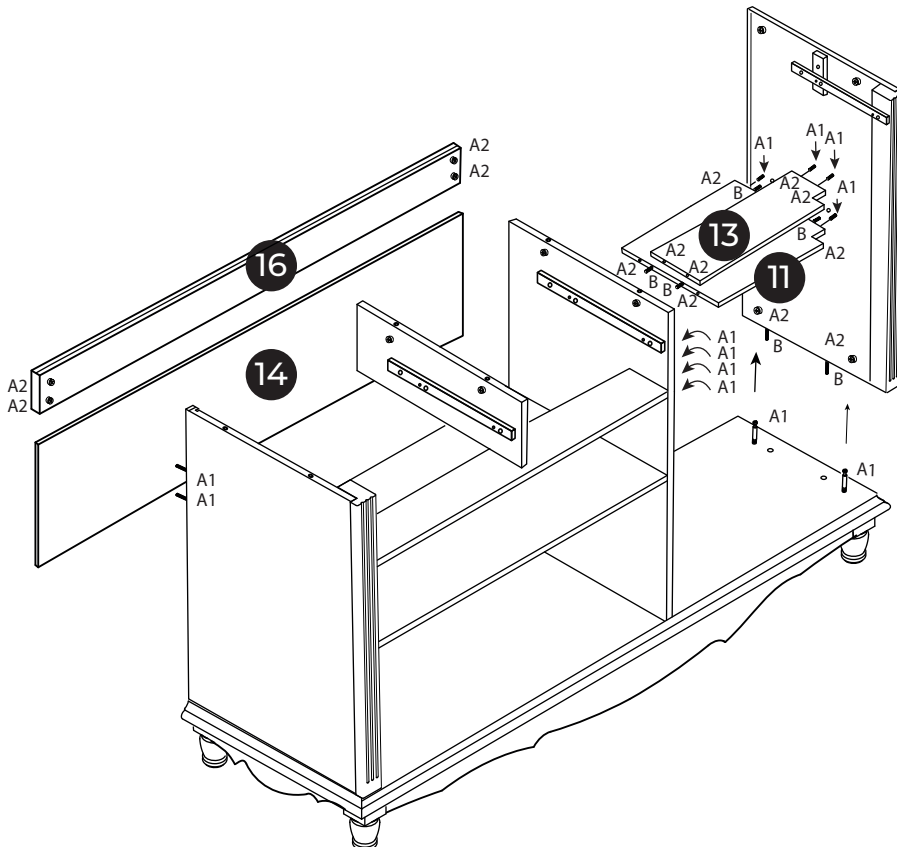
4





A   x13

B  x9

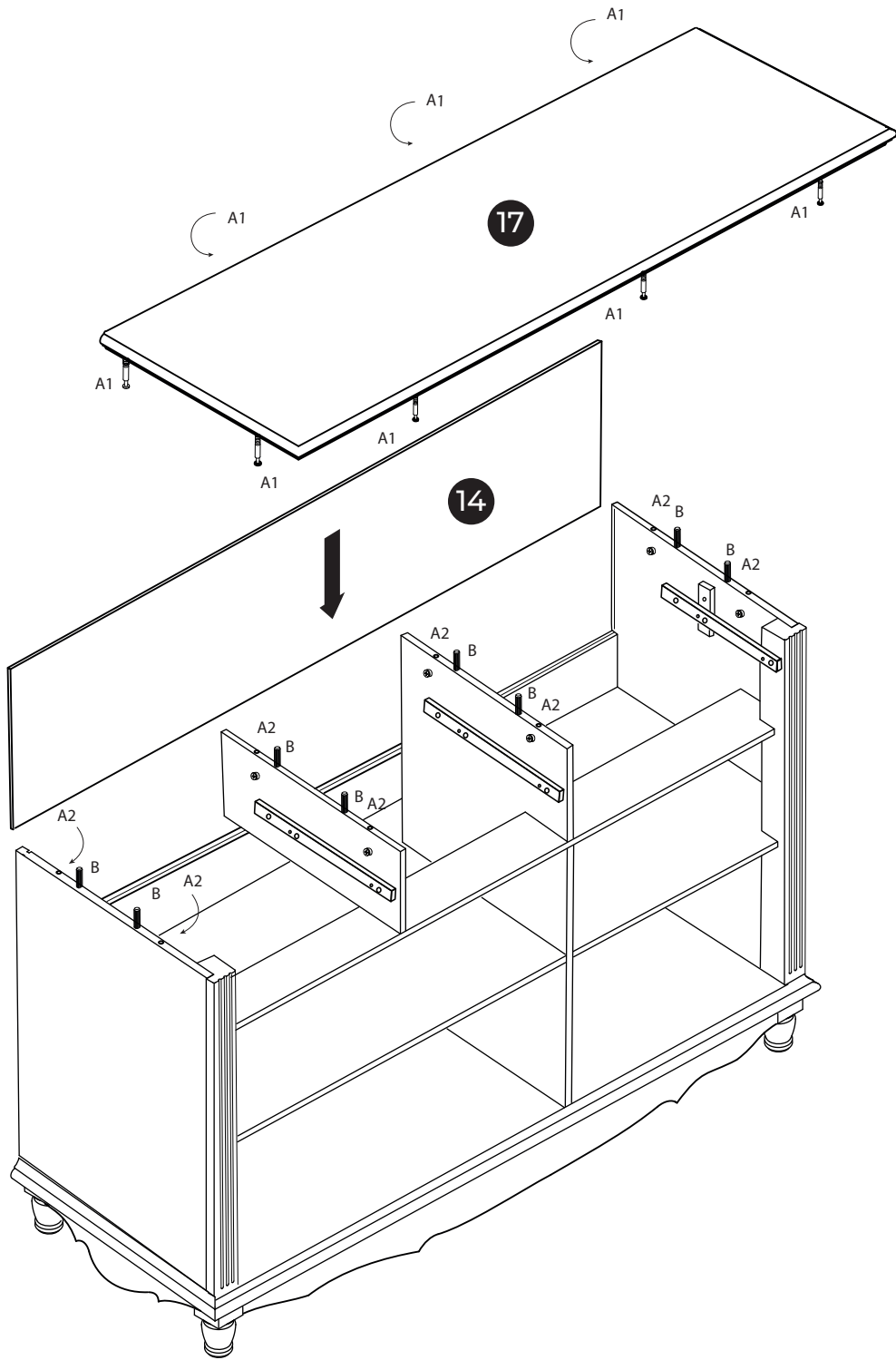
5


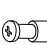


A   x14

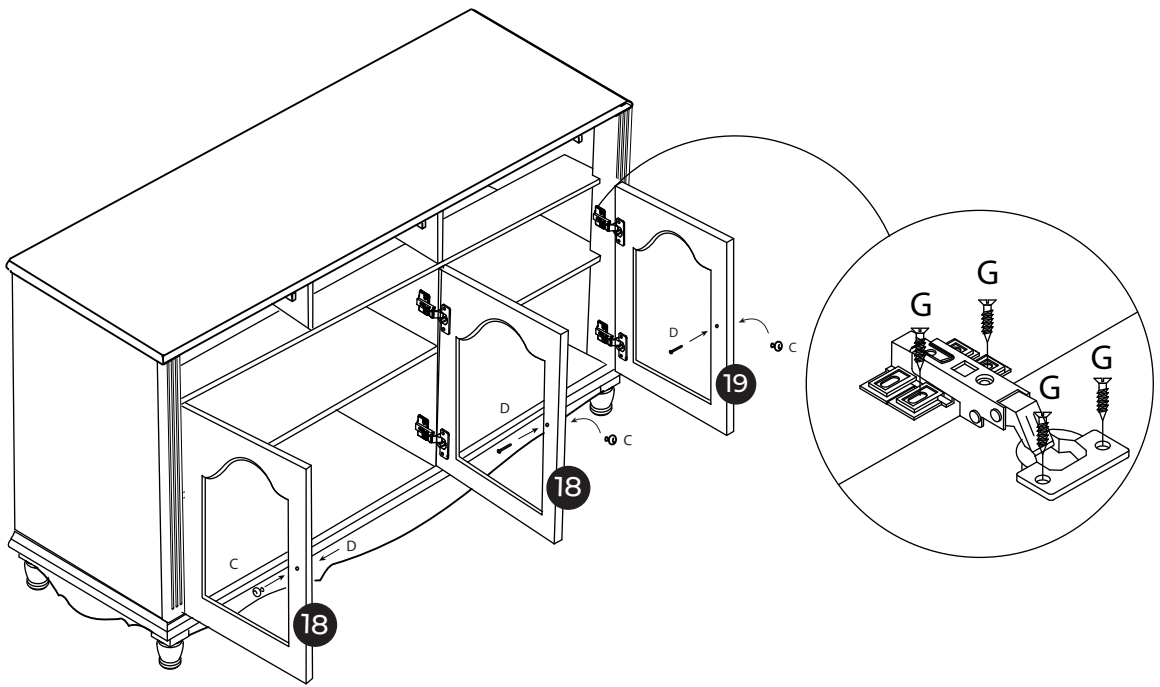
B  x6


6



A   x8


B  x8



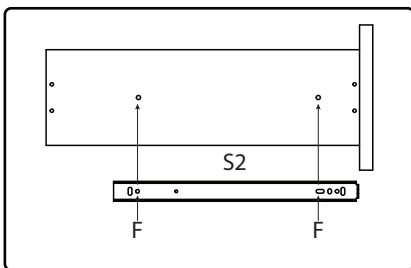
C  x3

D  x3

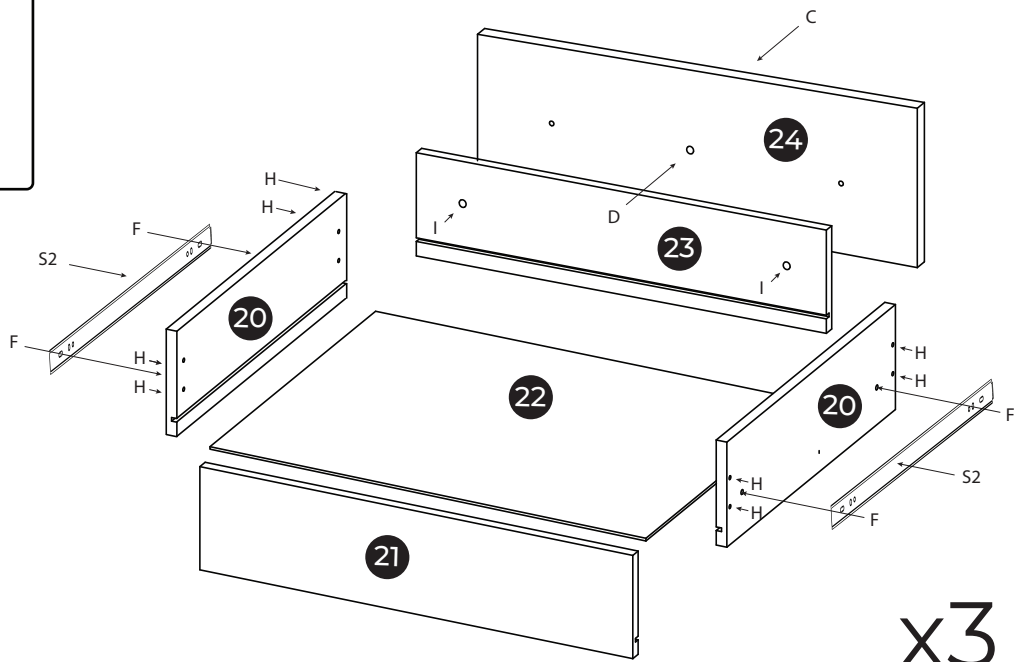
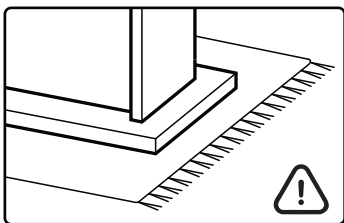
G  x24

L  x6

8



x6

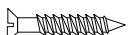


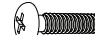
x3

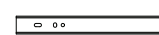
C  x3

D  x3

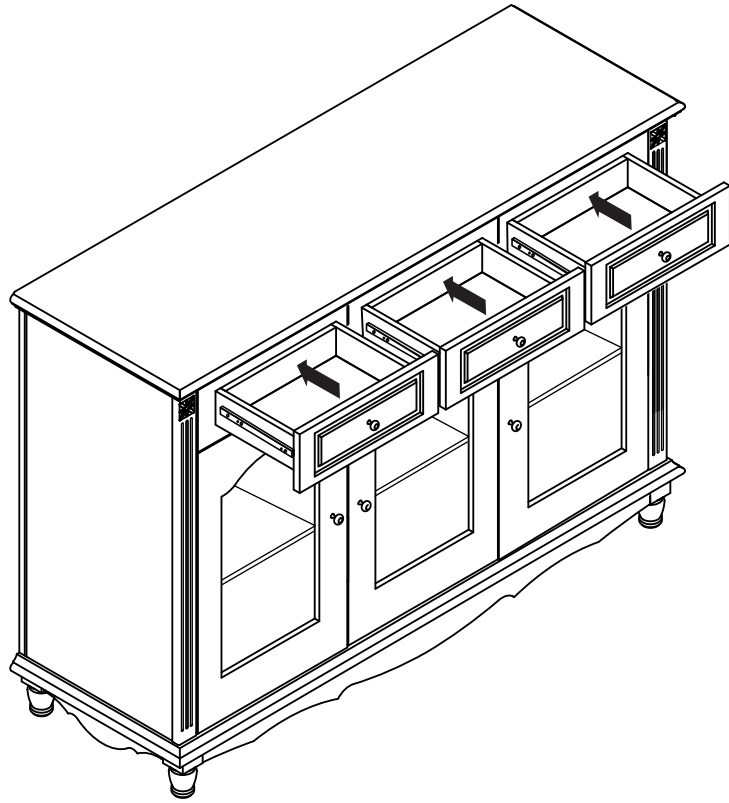
F  x12

H  x24

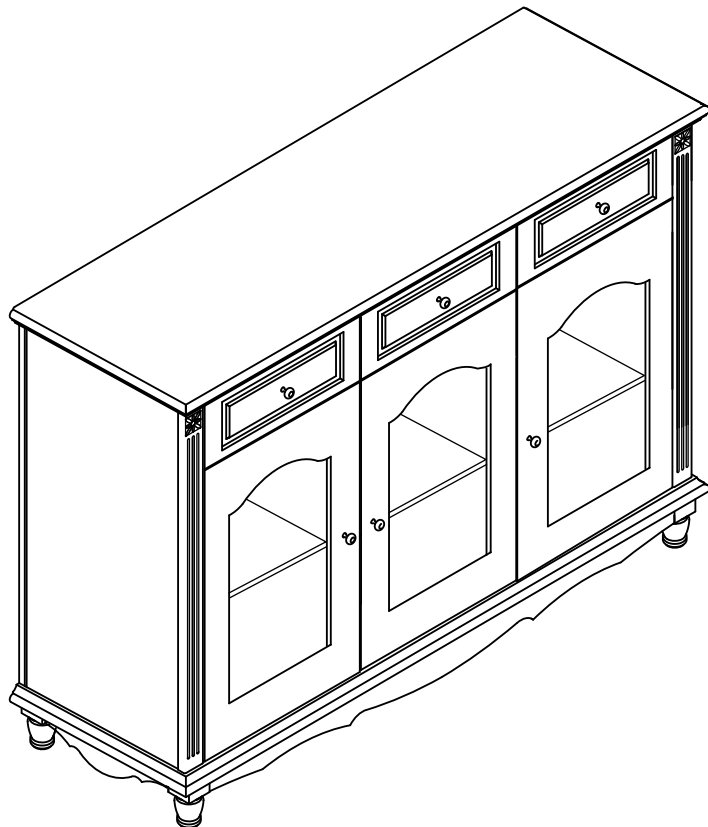
I  x6

S2  x6

9



10



11