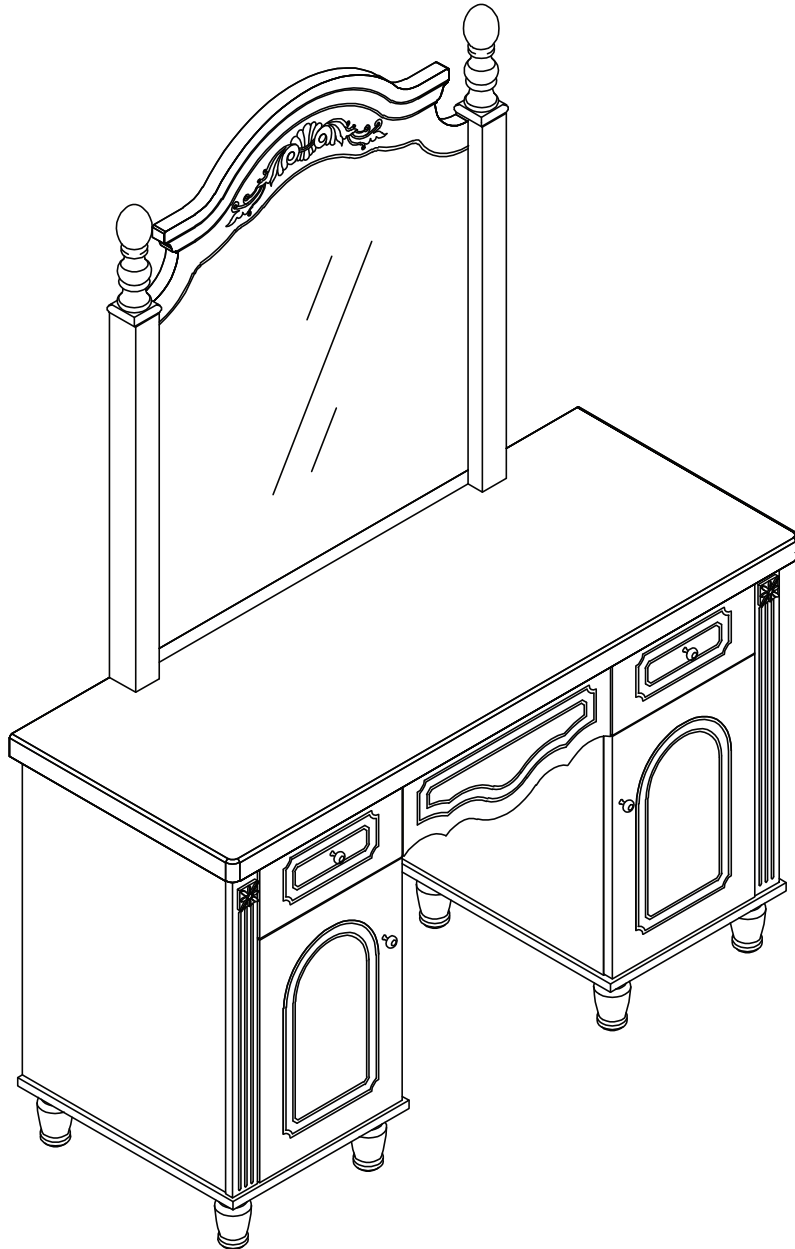
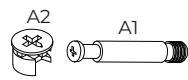
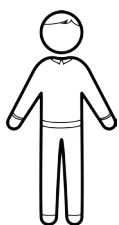
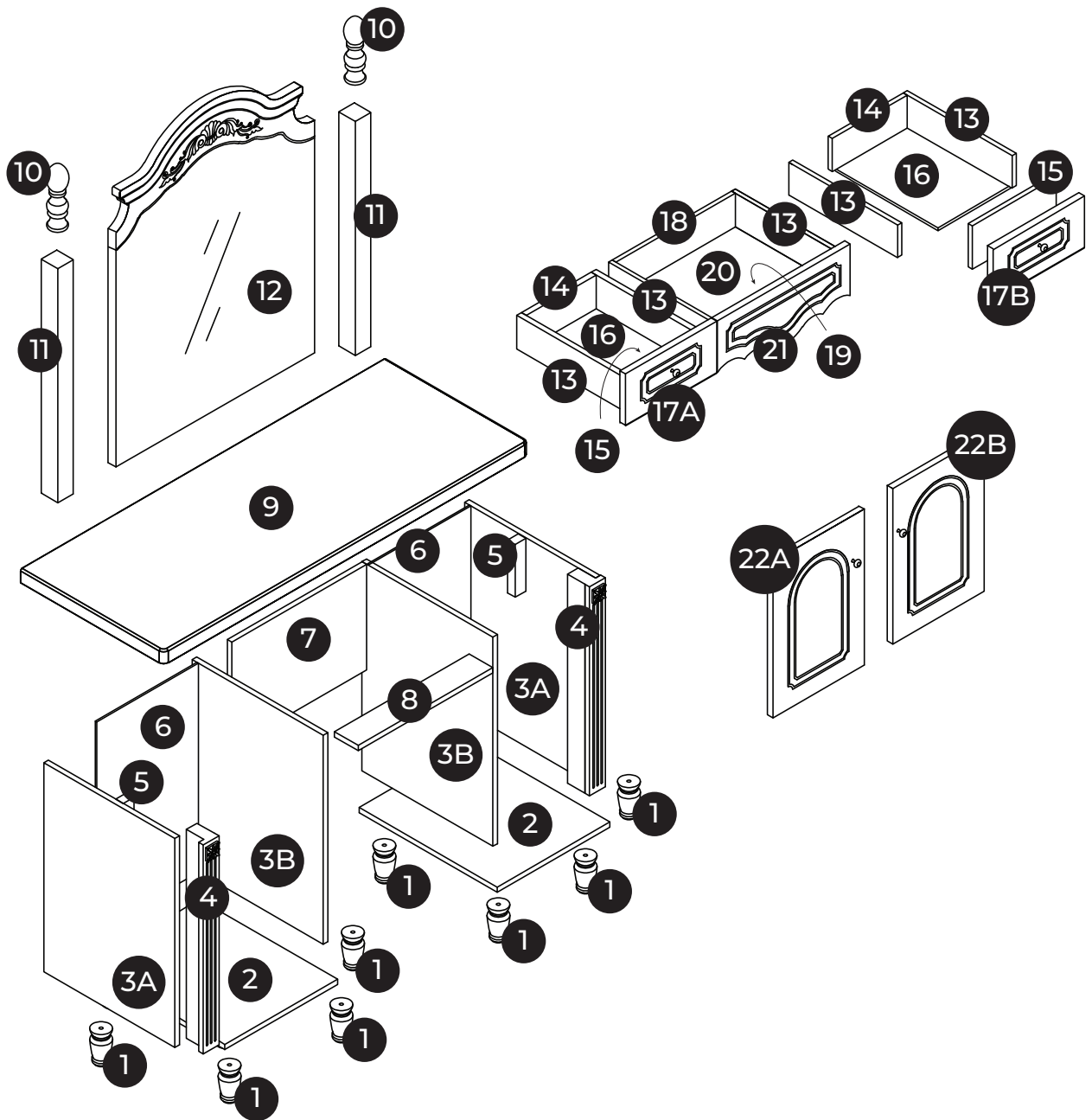


893

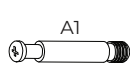
1200 x 450 x 1630 mm



BEMONDI



A x35
Ø 15 mm



B x24
Ø 8 x 30 mm



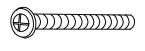
C x4



D x2
Ø 4 x 22mm



E x16
Ø 4 x 10 mm



F x2
Ø 4 x 20 mm



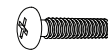
G x12
Ø 3,5 x 12 mm



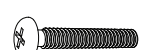
H x32
Ø 3,5 x 15 mm



I x24
Ø 3,5 x 35 mm



J x6
Ø 6 x 20 mm



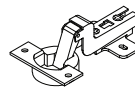
K x8
Ø 6 x 40 mm



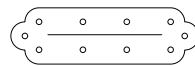
L x8
Ø 8 x 40 mm



M x2
Ø 8 x 50 mm



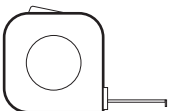
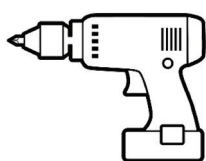
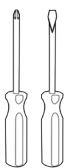
N x4

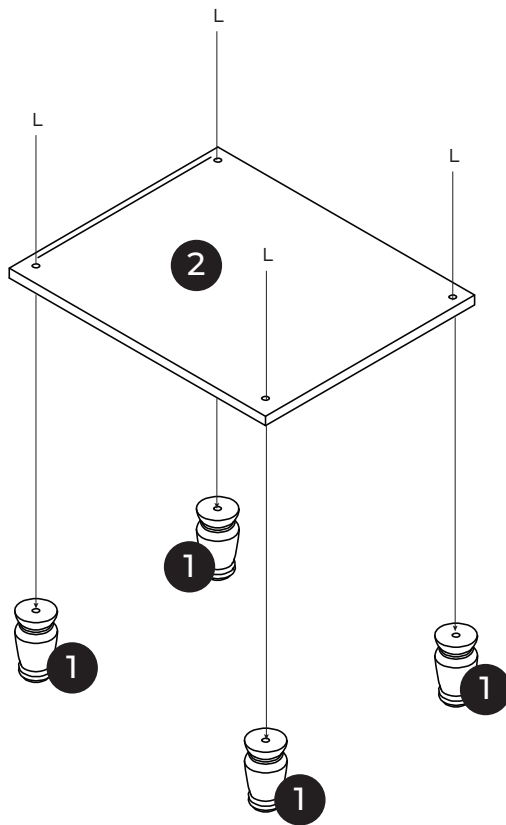


O x2
250 x 40 mm



S x6
300 x 35 mm

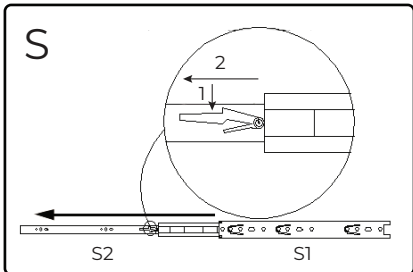




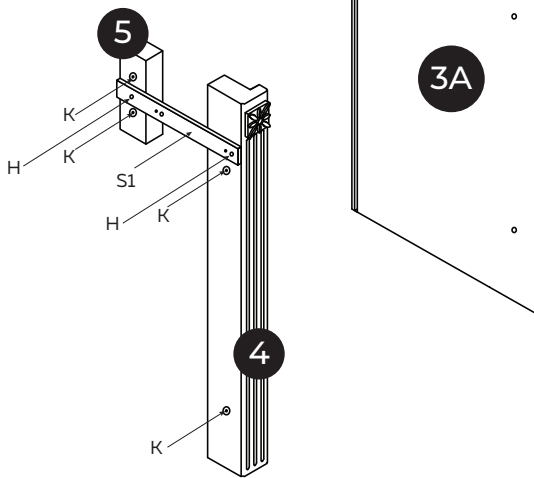
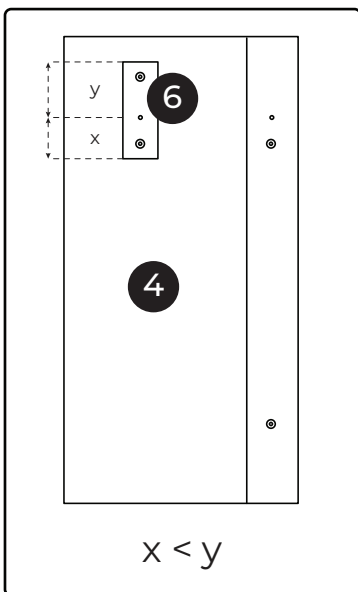
x2

L  x8

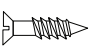
1



x2



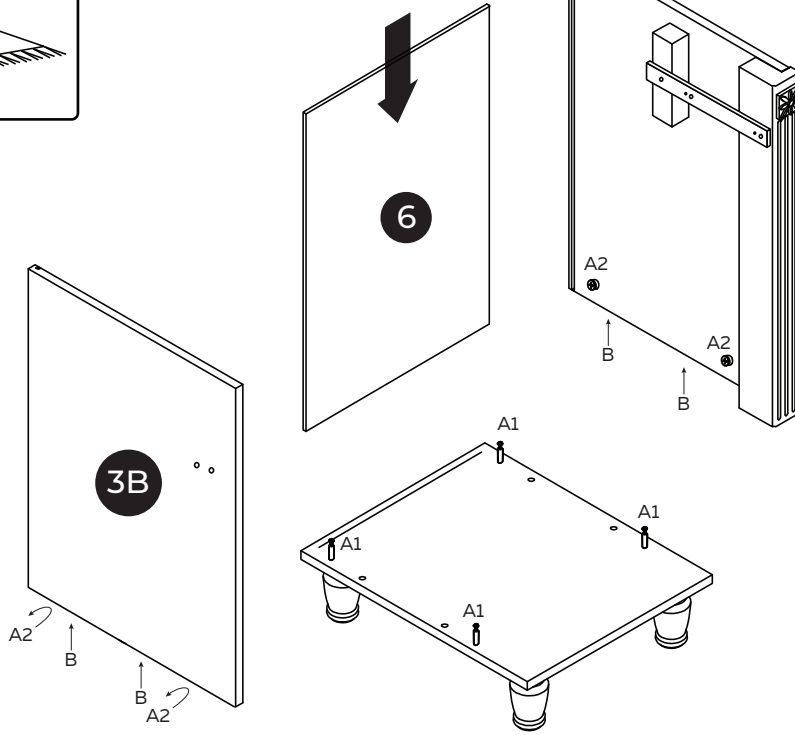
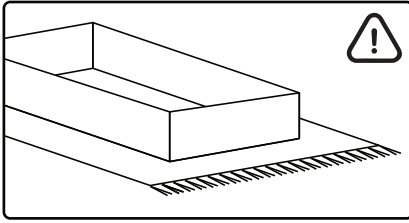
x2

H  x4

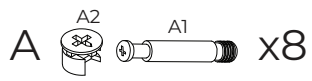
K  x8

S1  x2

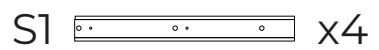
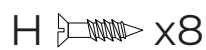
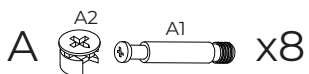
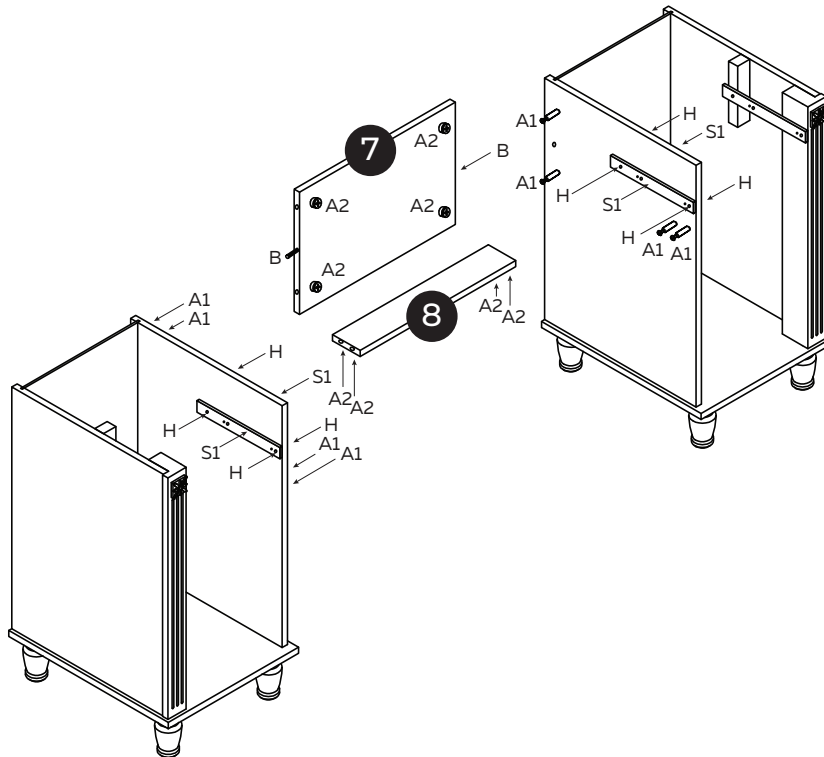
2



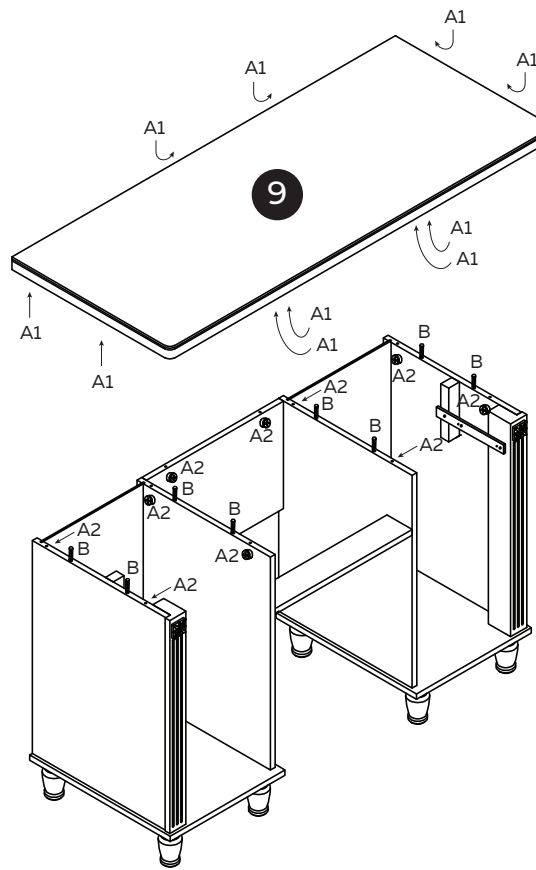
x2


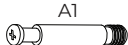


3



4



A   x10

B  x8

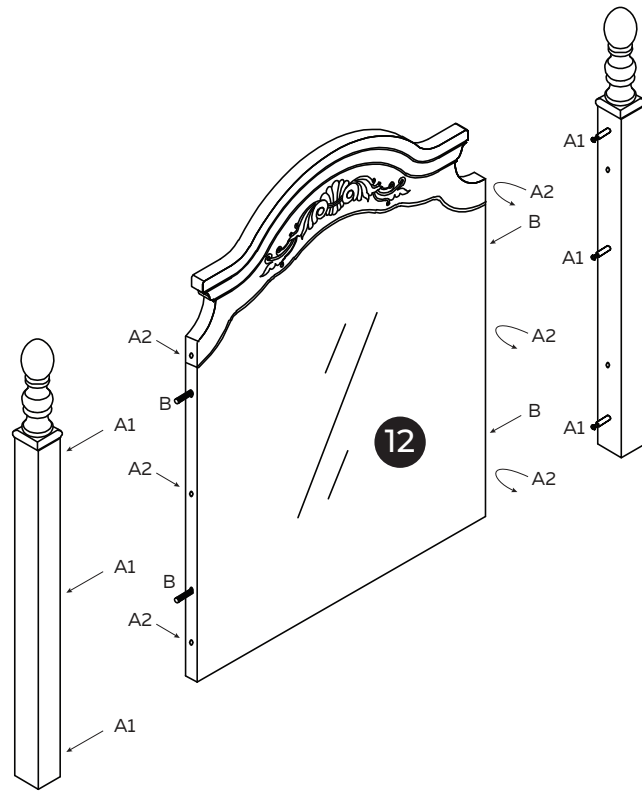
5


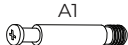


x2

M  x2

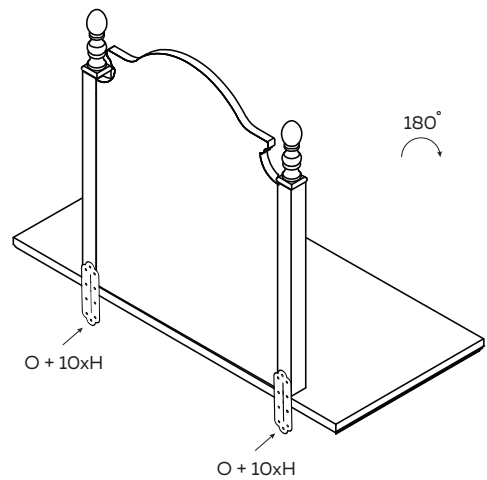
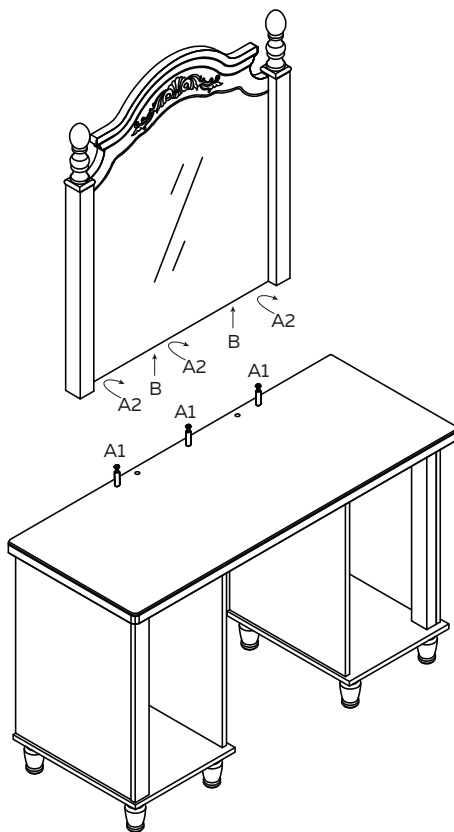
6


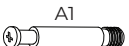


A   x6

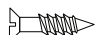
B  x4


7



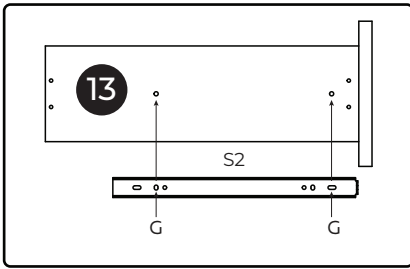
A   x3

B  x2

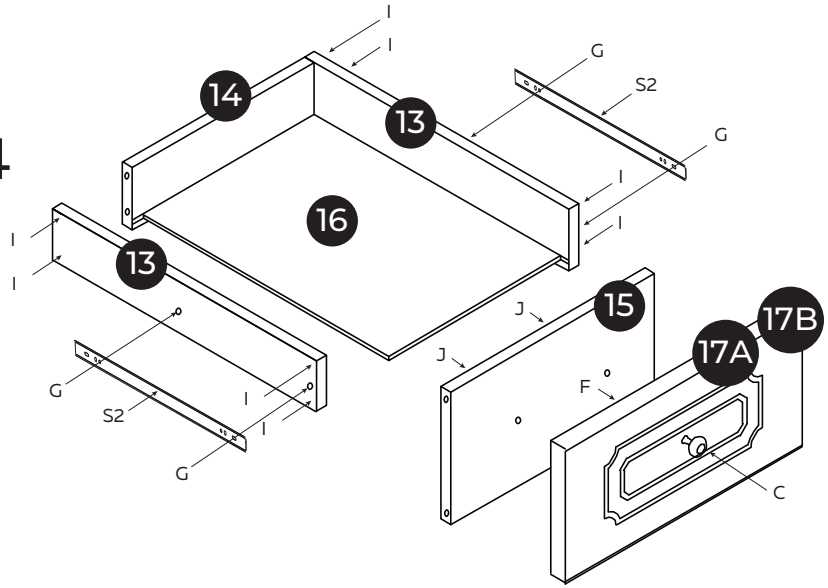
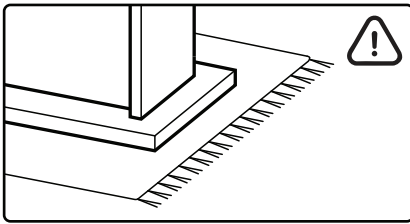
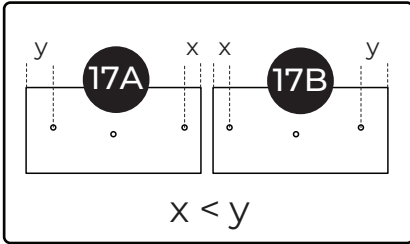
H  x20

O  x2

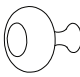
8

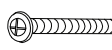


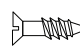
x4



x2

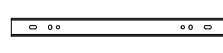
C  x2

F  x2

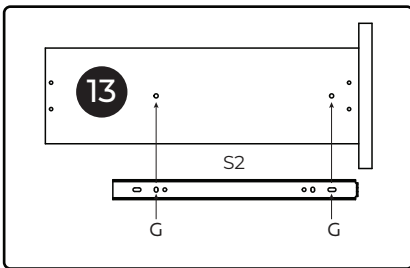
G  x8

I  x16

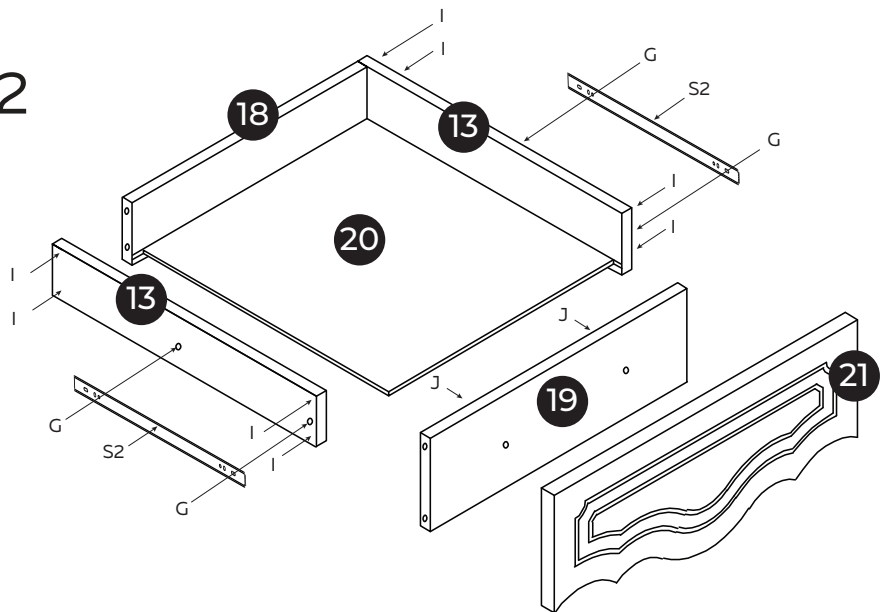
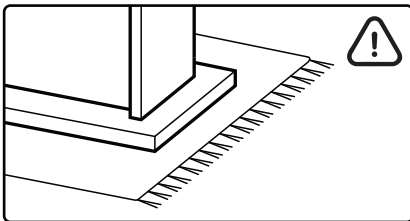
J  x4

S2  x4

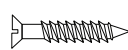
9

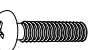


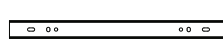
x2



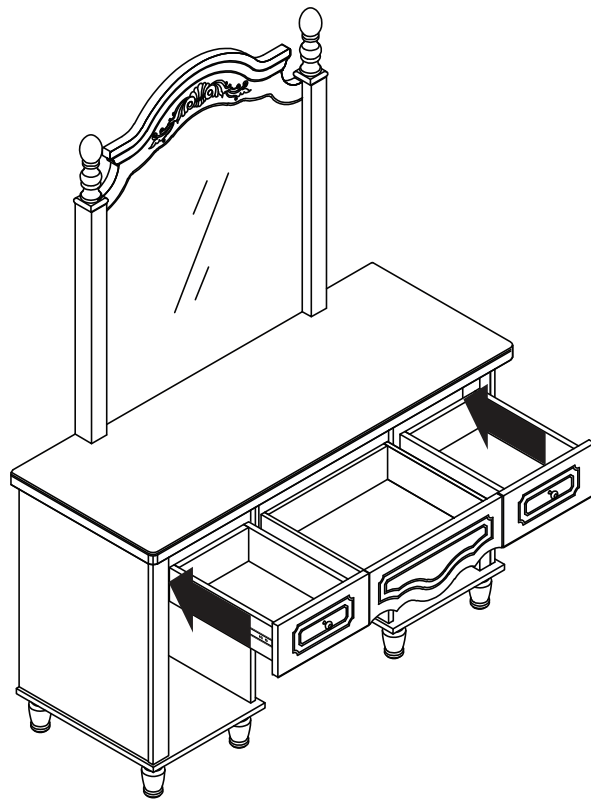
G  x4

I  x8

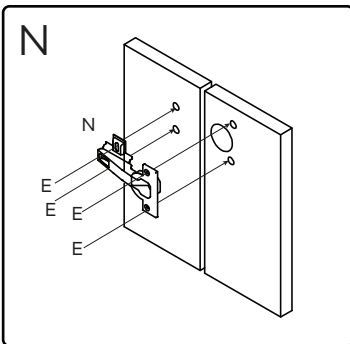
J  x2

S2  x2

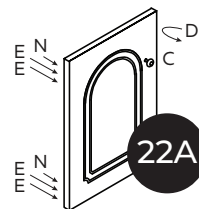
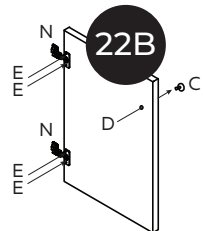
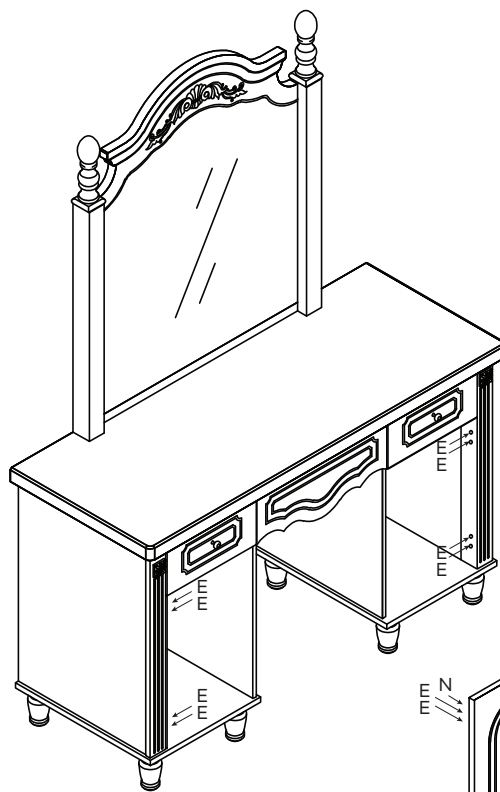
10




11




x4



C  x2

D  x2

E  x16

N  x4

12

