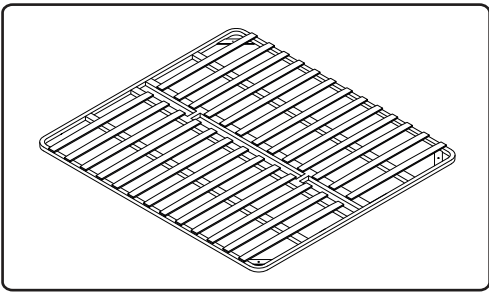


# 905B

180 x 200 2110 x 1600 x 1720 mm

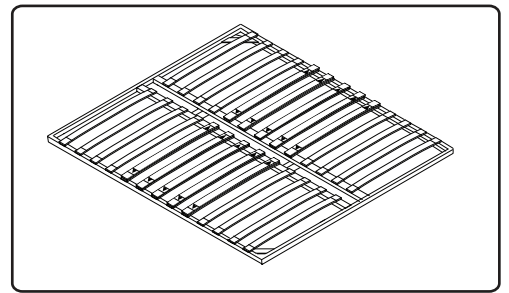


**BEMONDI**



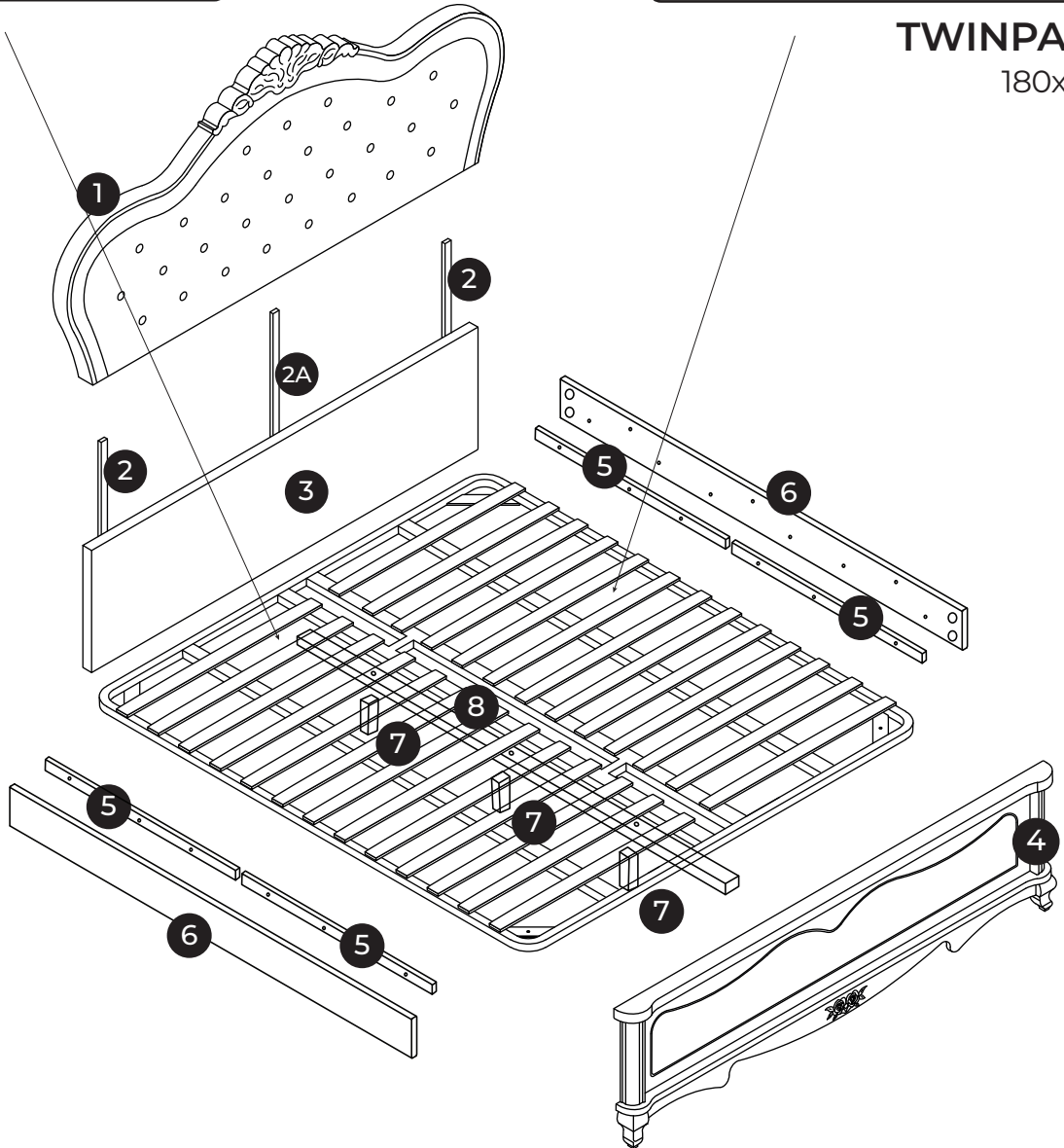
### BED BASE

180x200

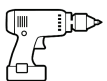
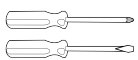


### TWINPACK

180x200



x2



**A** x4  
Ø 8 x 100 mm



**B** x12  
Ø 8 x 30 mm



**C** x18  
Ø 6 x 50 mm



**D** x4  
Ø 8 x 70 mm



**E** x8



**F** x8  
Ø 8 mm



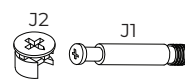
**G** x4  
Ø 8 mm



**H** x8



**I** x14  
Ø 3.5 x 16mm



**J** x4  
Ø 15 mm



**K** x17  
Ø 3,5 x 35mm



**L1** x2



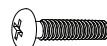
**L2** x2



**M** x3  
Ø 8 x 45 mm



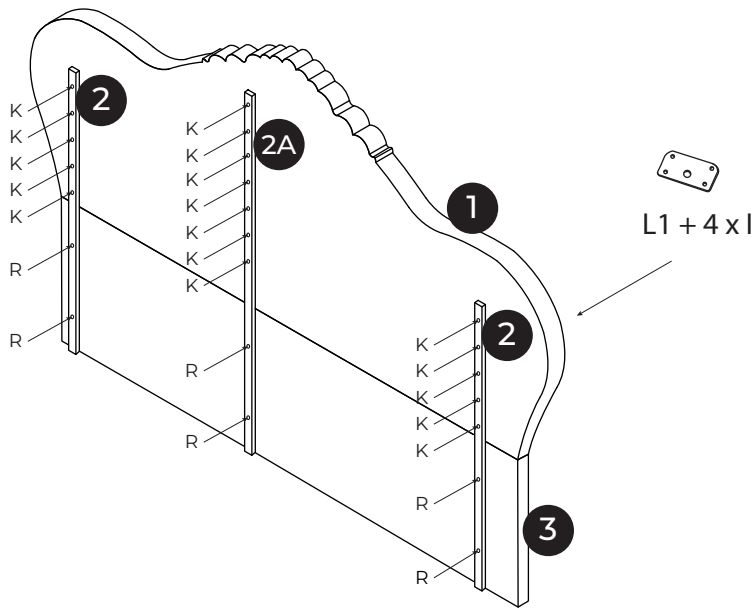
**N** x3  
Ø 20 mm



**O** x 4  
Ø 6 x 45 mm



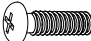
**R** x 6  
Ø 8 x 30 mm



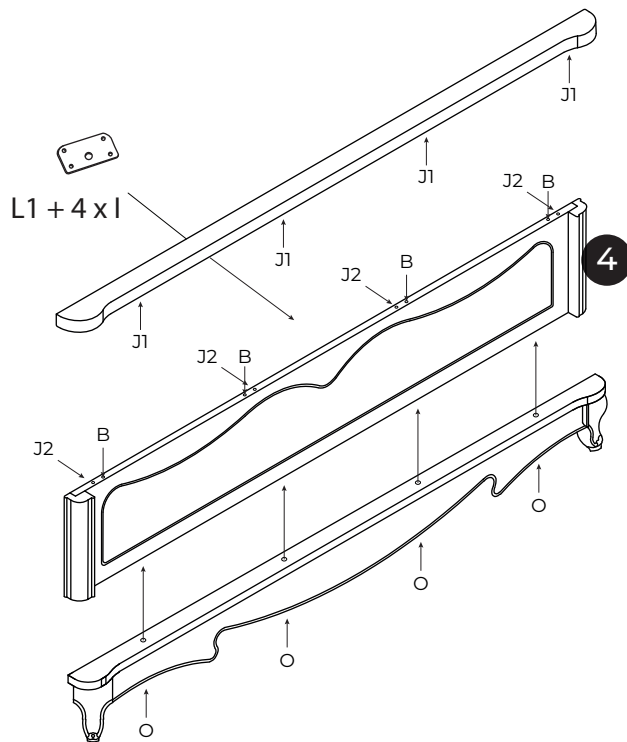
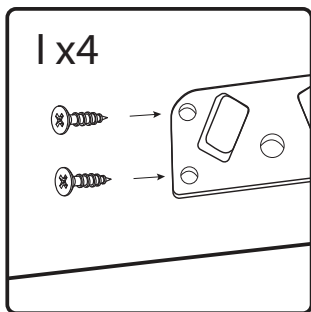
I  x4

K  x17

L1  x1

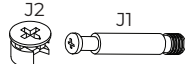
R  x6

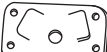
1




B  x4

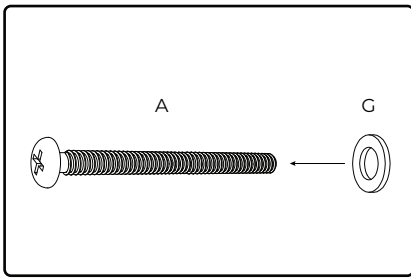
I  x4

J  x4

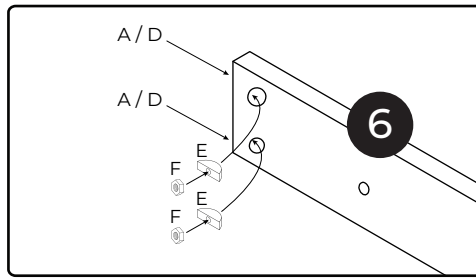
L1  x1

O  x4

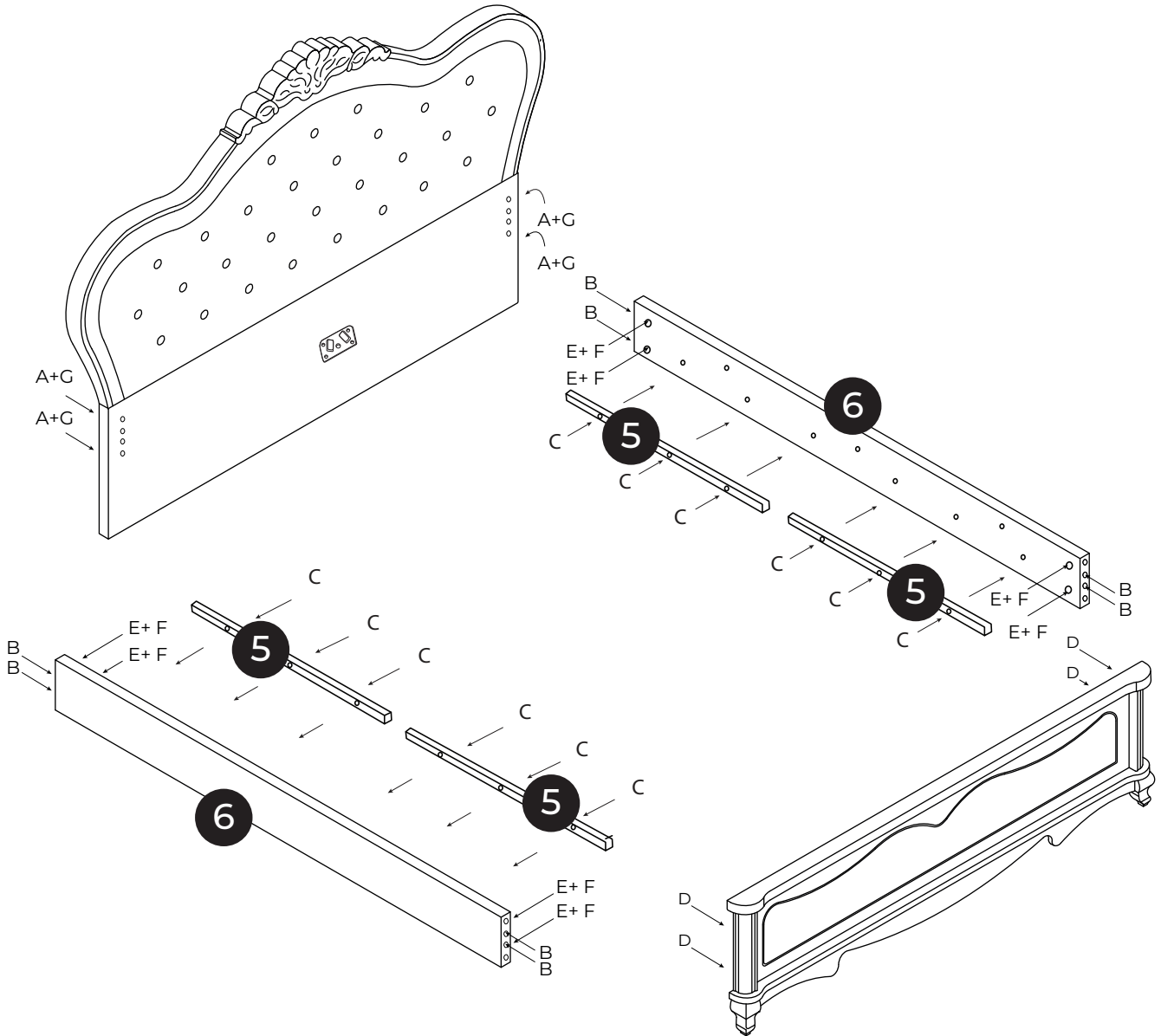
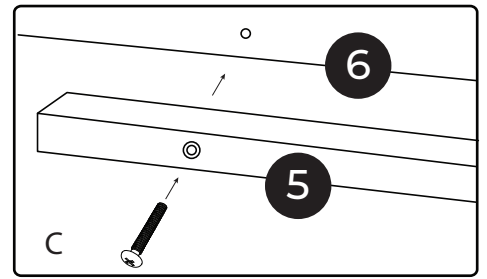
2



x4



x4



A  x4

B  x8

C  x12

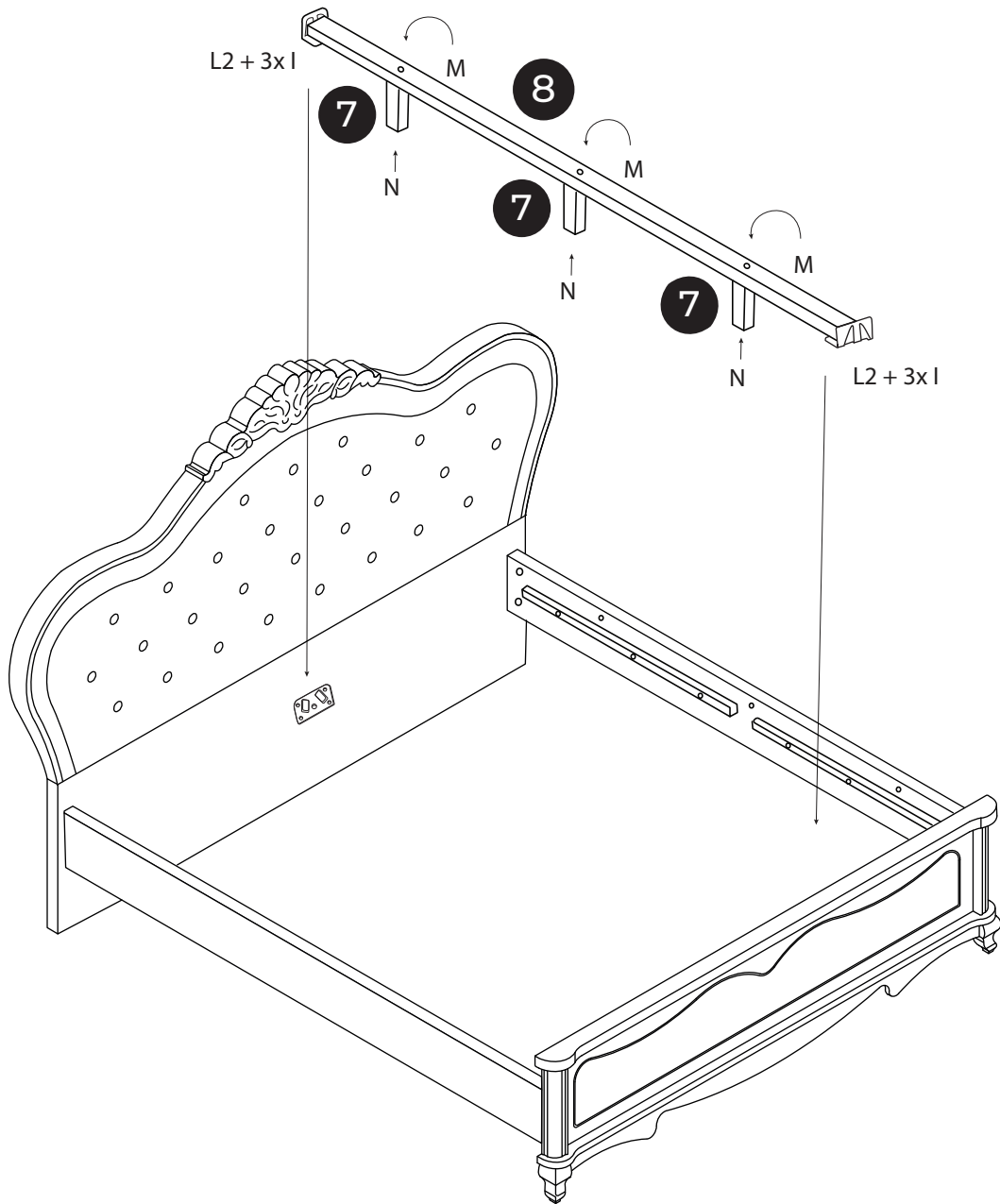
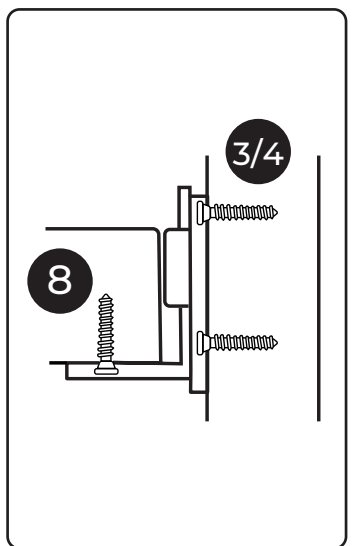
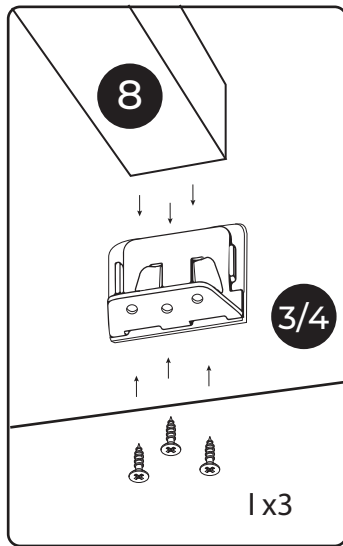
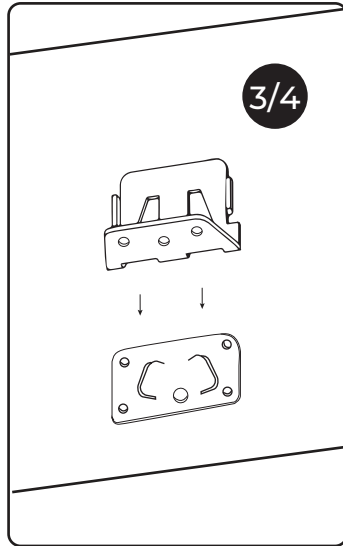
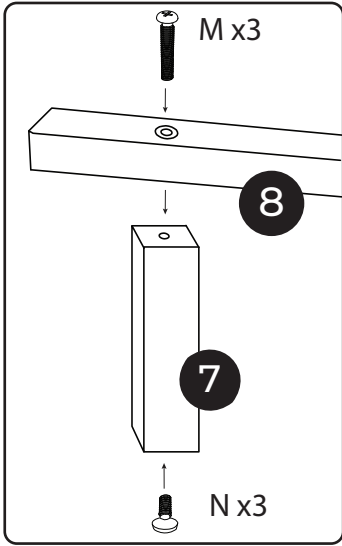
D  x4

E  x8


F  x8

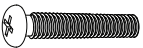
G  x4

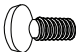
3

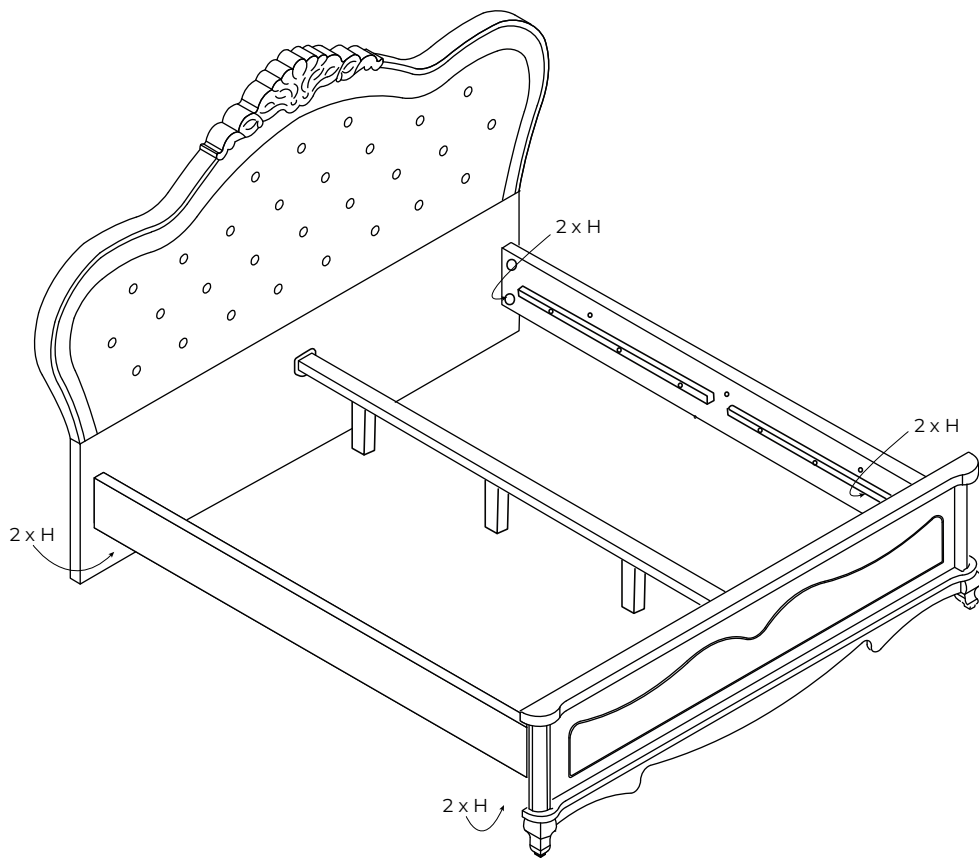


I  x6

L2  x2

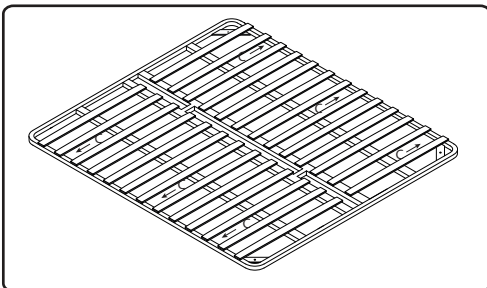
M  x3

N  x3

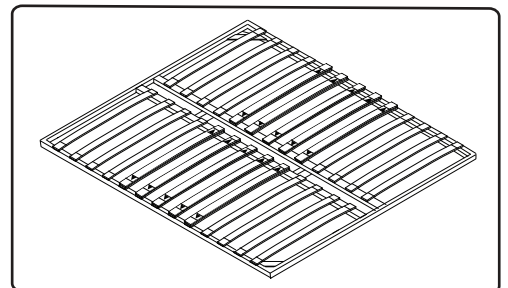


H  x8

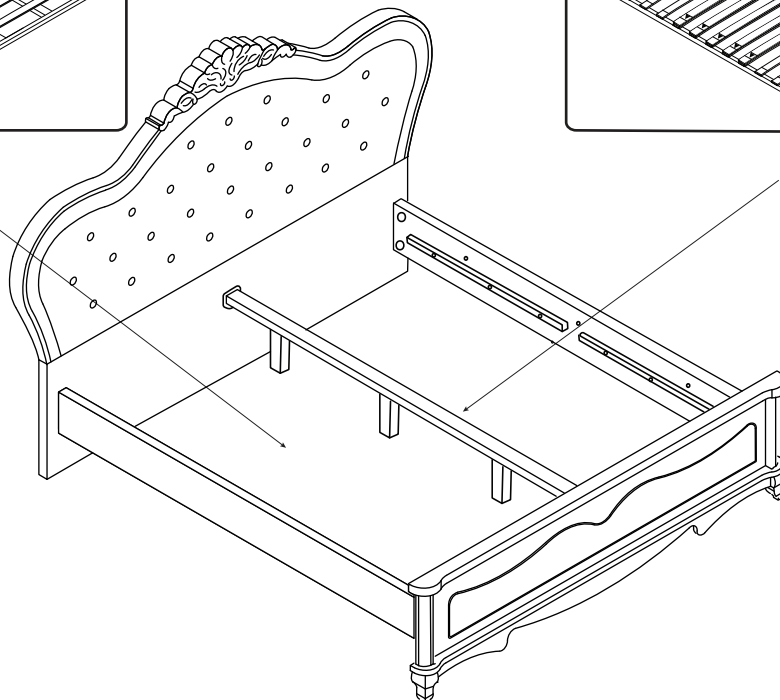
5



**BED BASE**  
180x200



**TWINPACK**  
180x200



C  x6 **BED BASE**

6

## BED BASE

180x200



## TWINPACK

180x200

