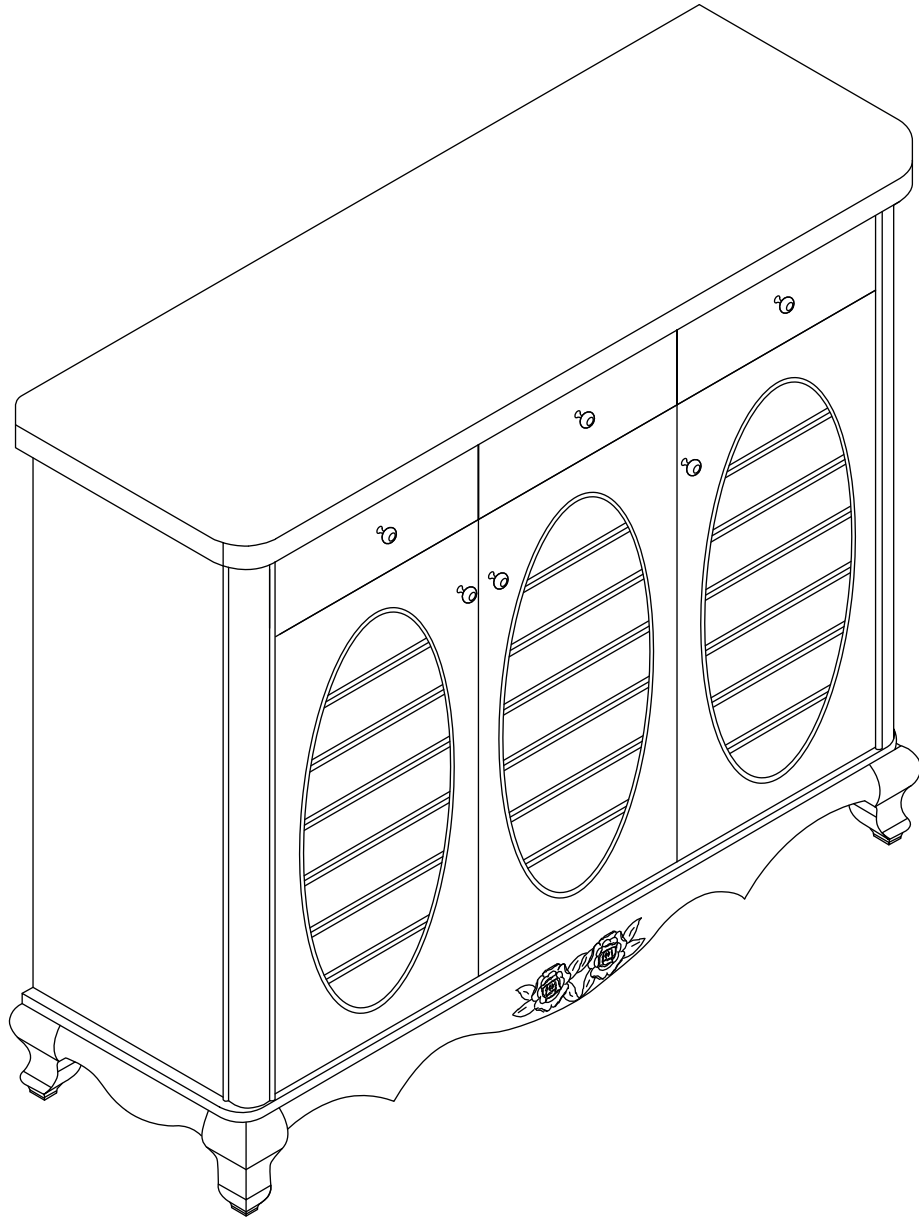
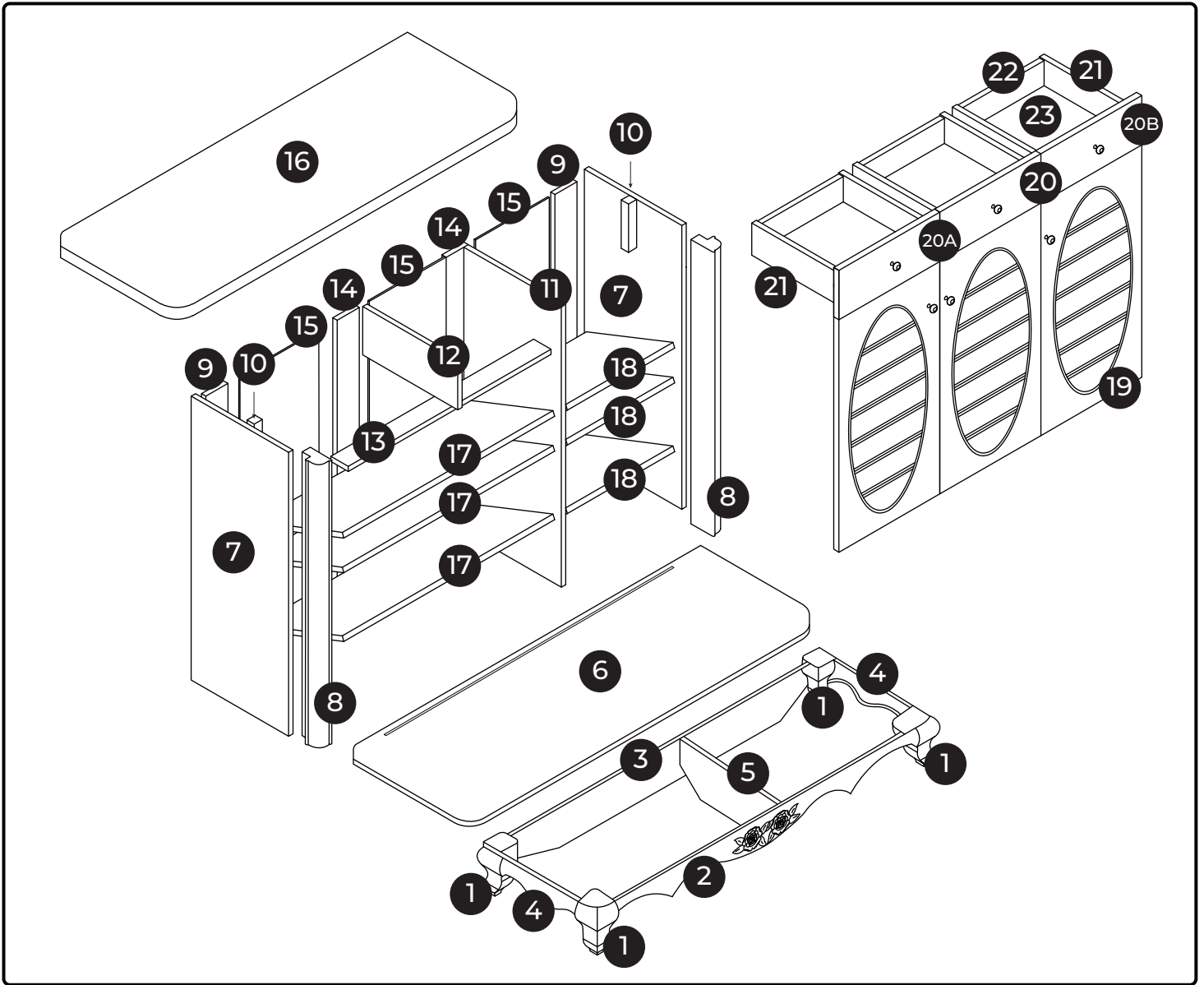


# 920

1200 x 400 x 1040 mm



**BEMONDI**



**A x 73**  
Ø 15 mm

**B x 14**  
Ø 8 x 30 mm

**C x 24**  
Ø 4 x 10 mm

**D x 6**  
Ø 4 x 25 mm

**E x 10**  
Ø 6 x 30 mm

**F x 24**

**G x 12**  
Ø 3.5 x 35 mm

**H x 24**  
Ø 3.5 x 15 mm

**I x 24**  
Ø 6 mm

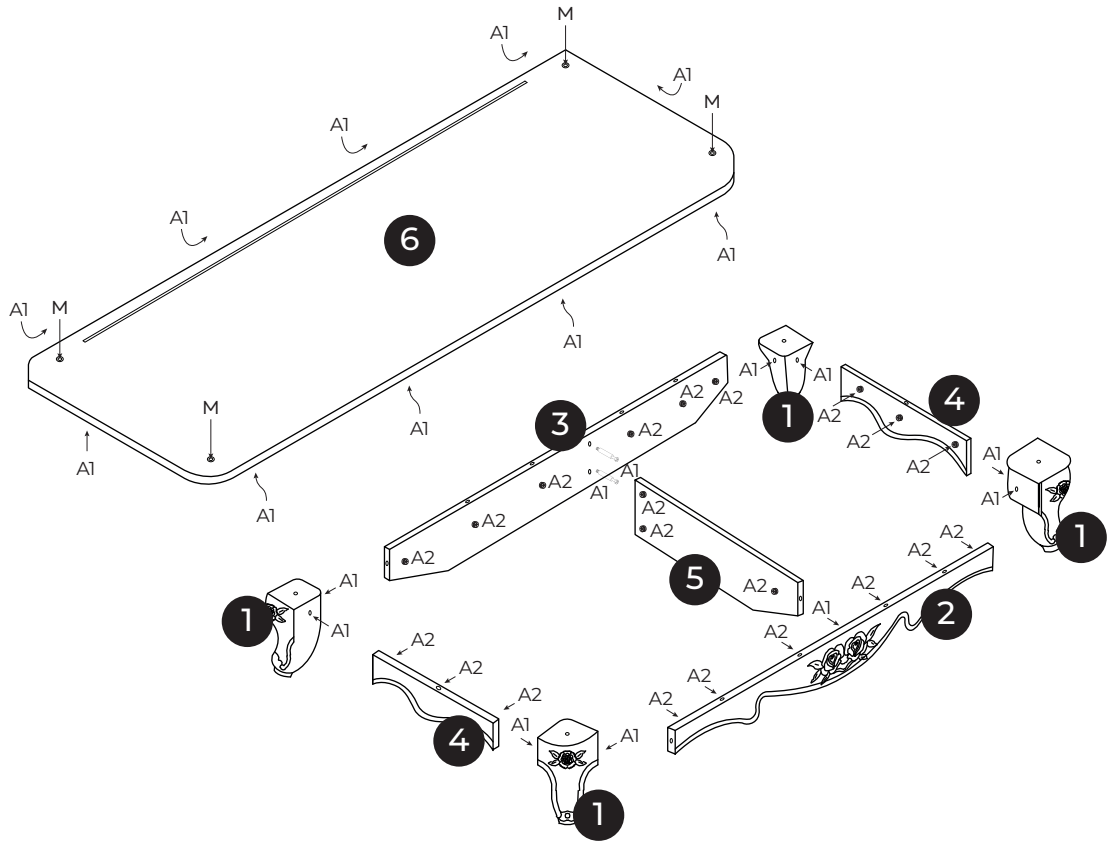
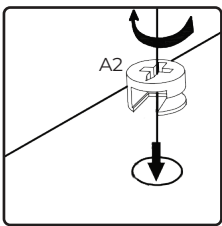
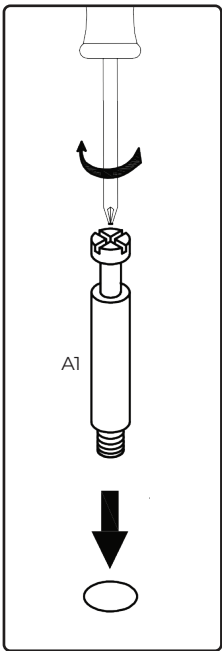
**J x 6**

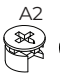
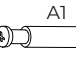
**K x 4**

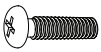
**L x 2**

**M x 4**  
Ø 8 x 25 mm

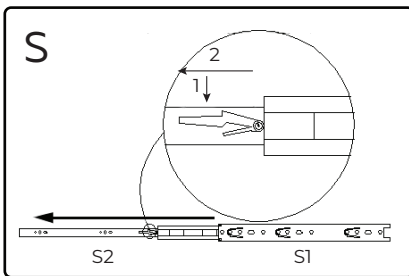
**S x 6**  
300 x 35 mm



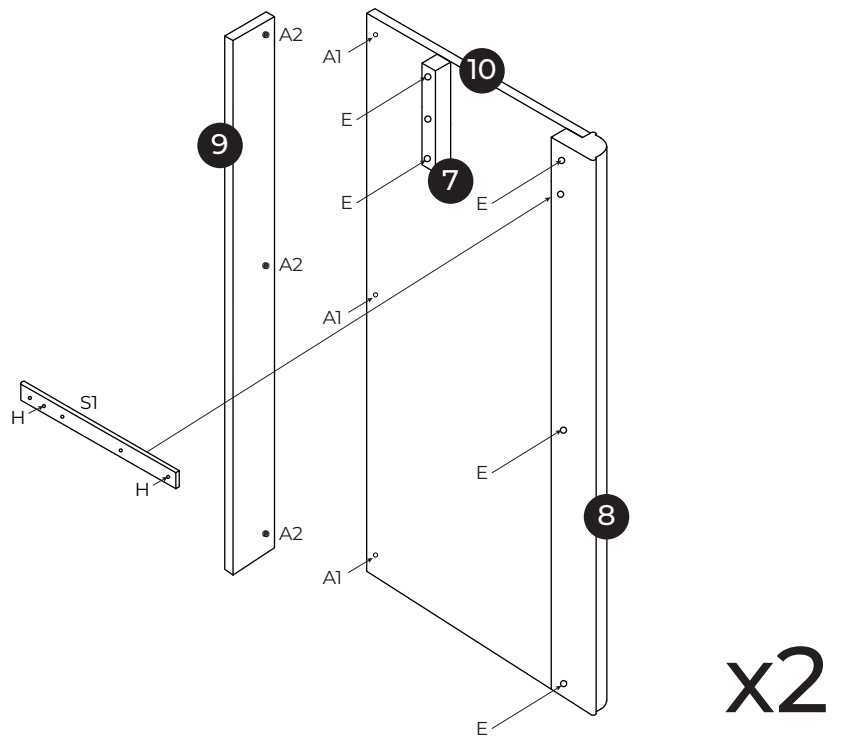
A   x21

M  x4

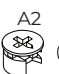
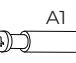
1

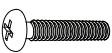


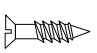
x6

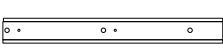


x2

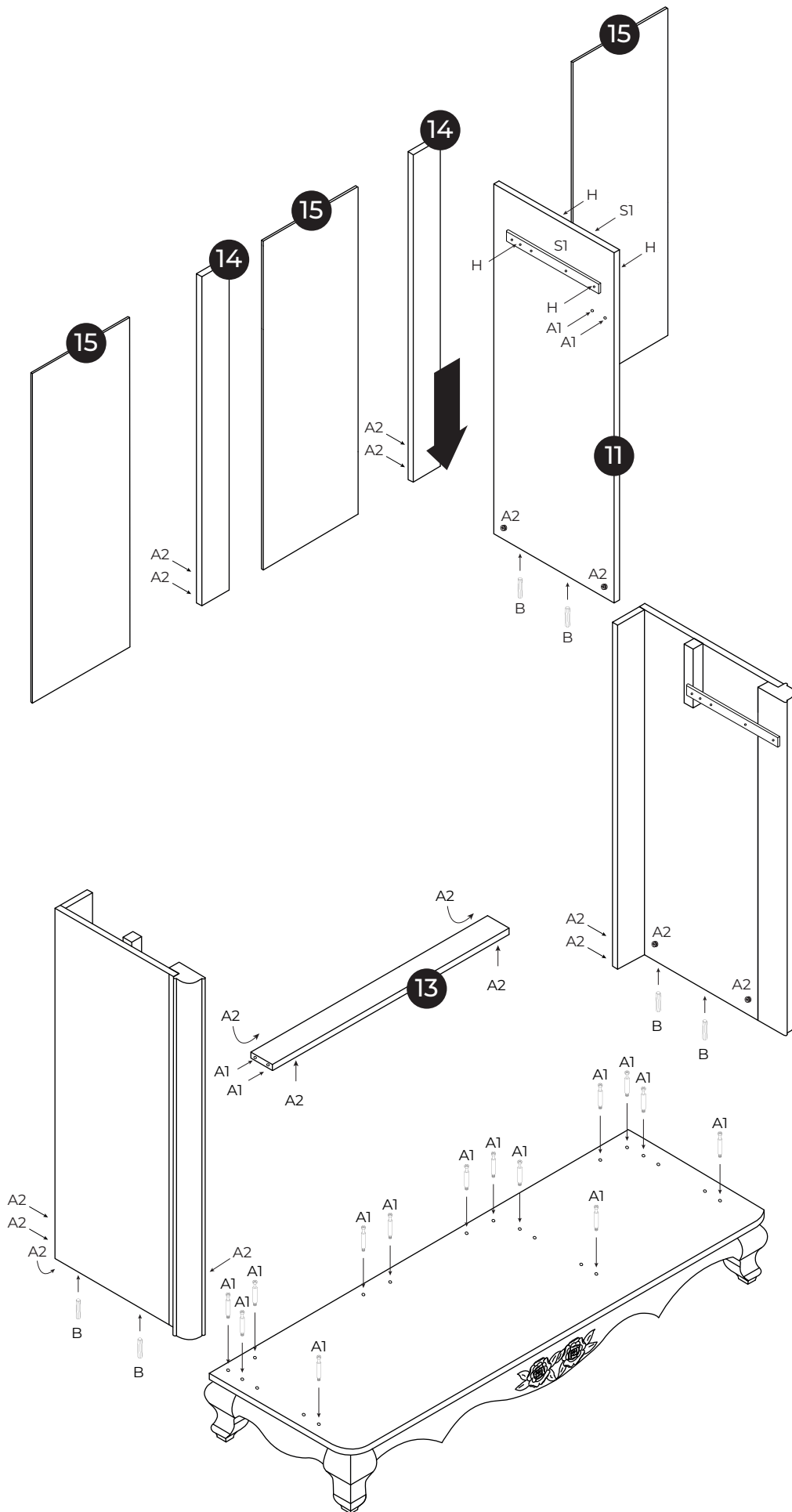
A   x6


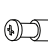
E  x10

H  x4

S1  x2


2

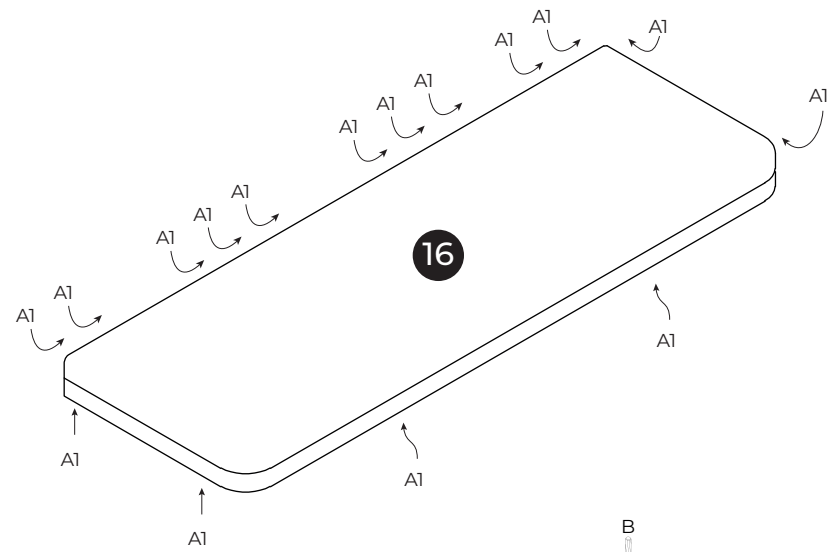


A   x18

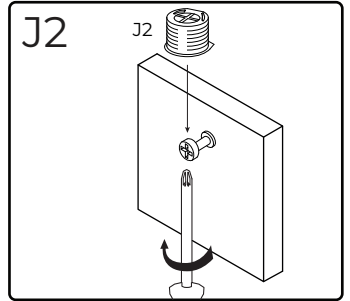
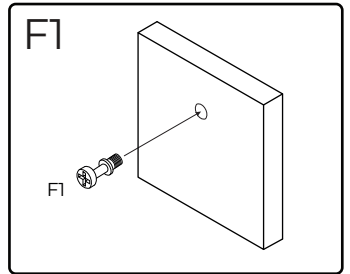
B  x6

H  x4

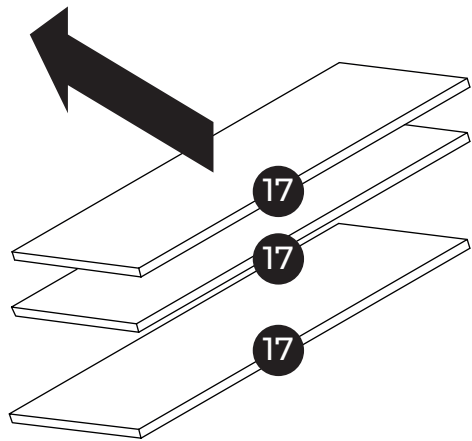
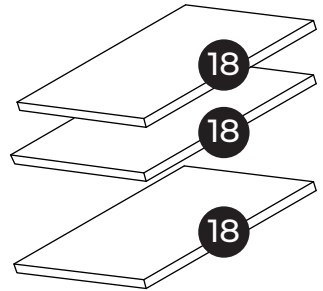
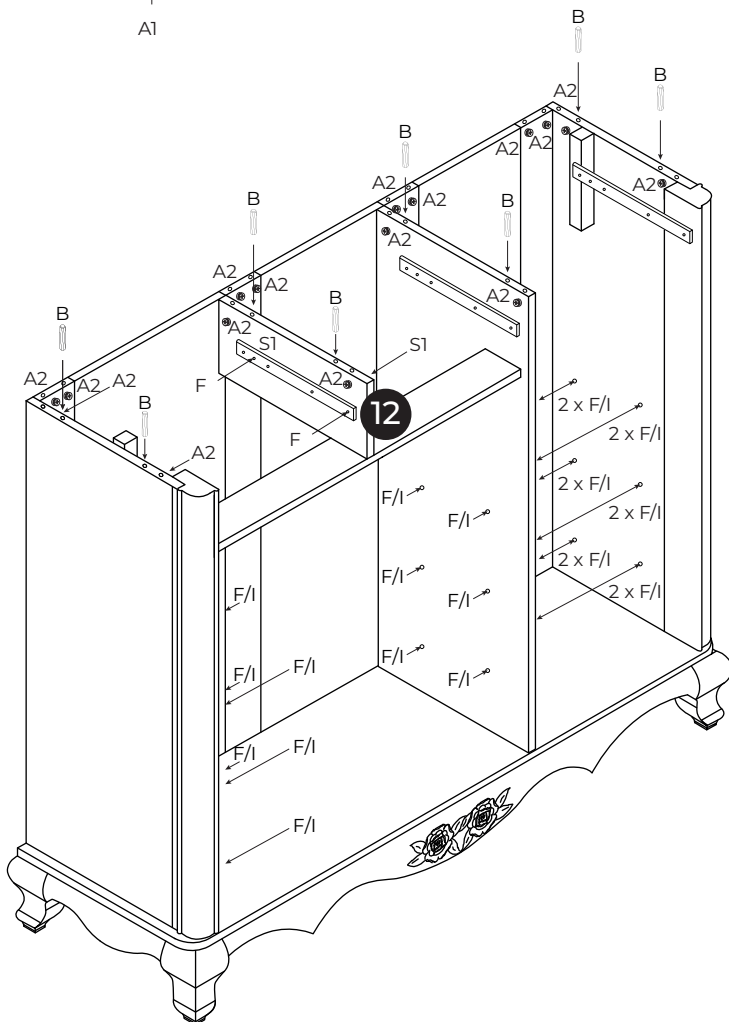
S1  x2


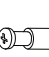


x24





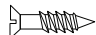
x24

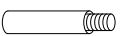


A   x16

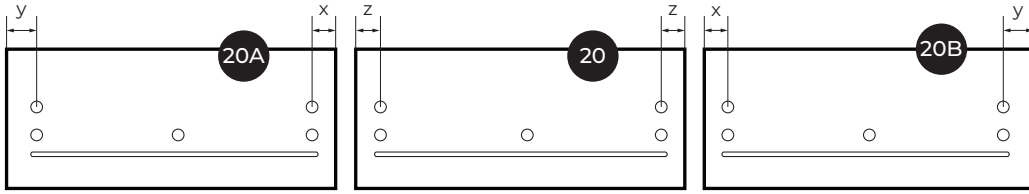
B  x8

F   x24

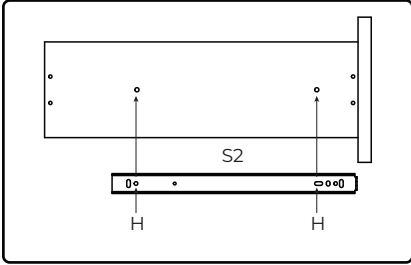
H  x4

I  x24

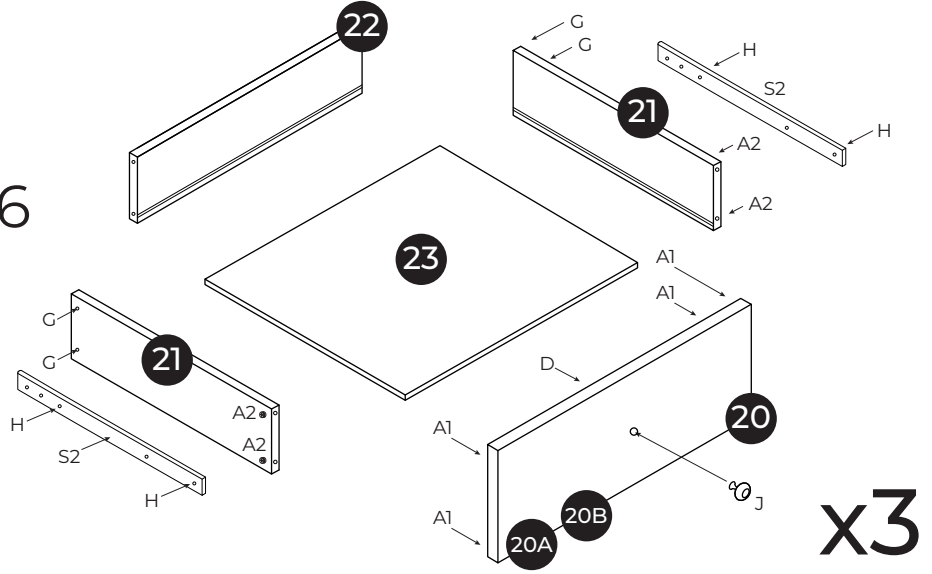
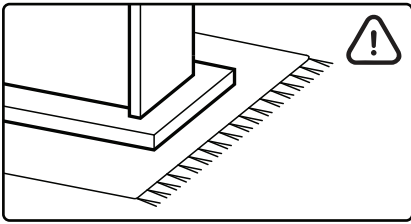
S1  x2



$x < y$



x6



x3

A x12

D x3

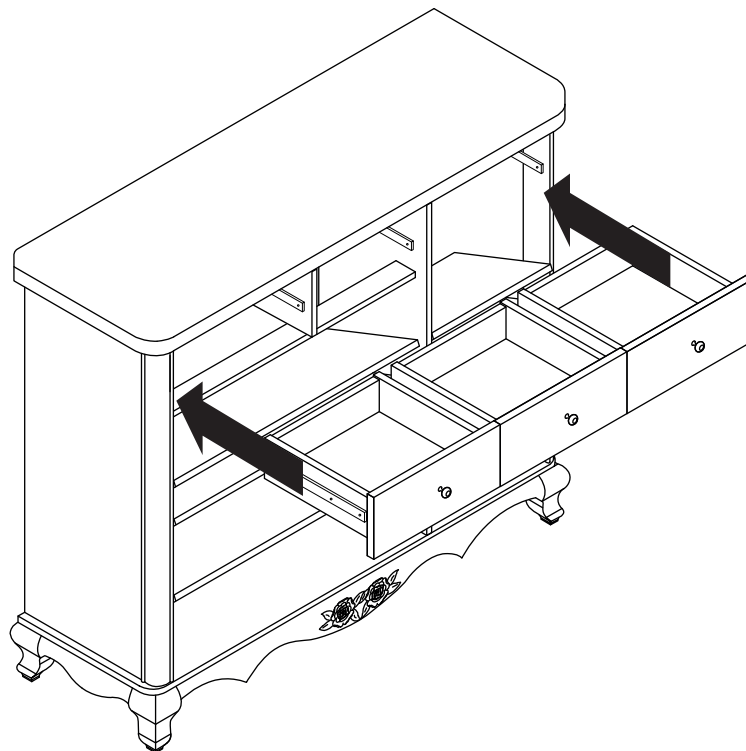
G x12

H x12

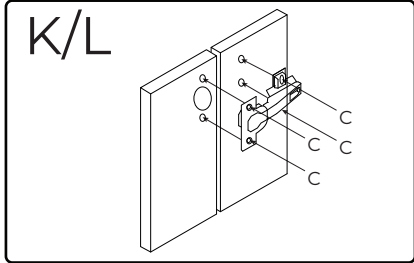
J x3

S2 x6

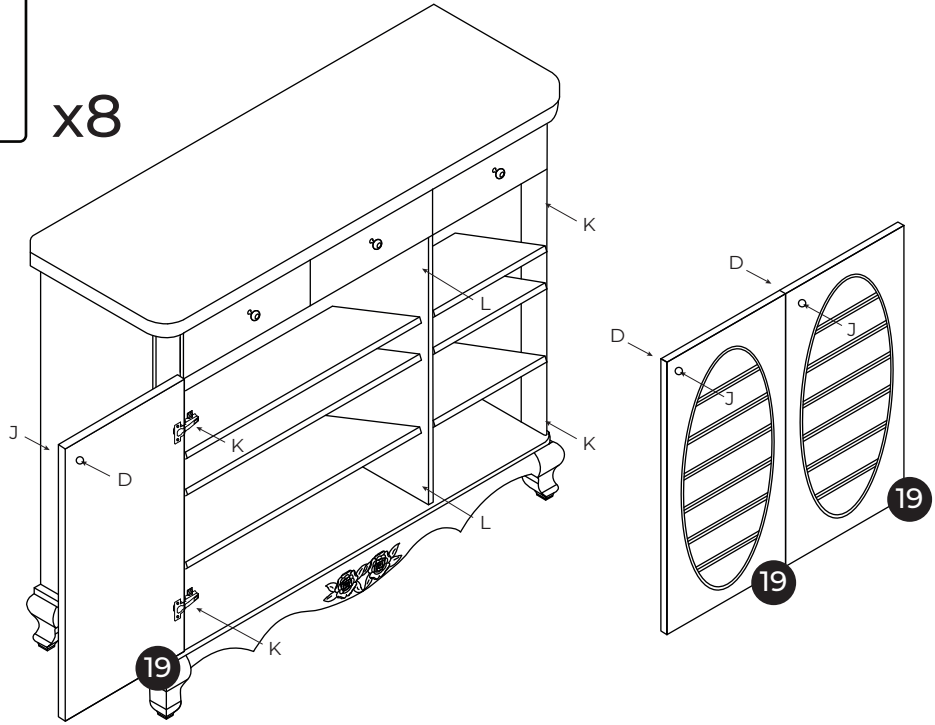
5





6




x8



C  x24

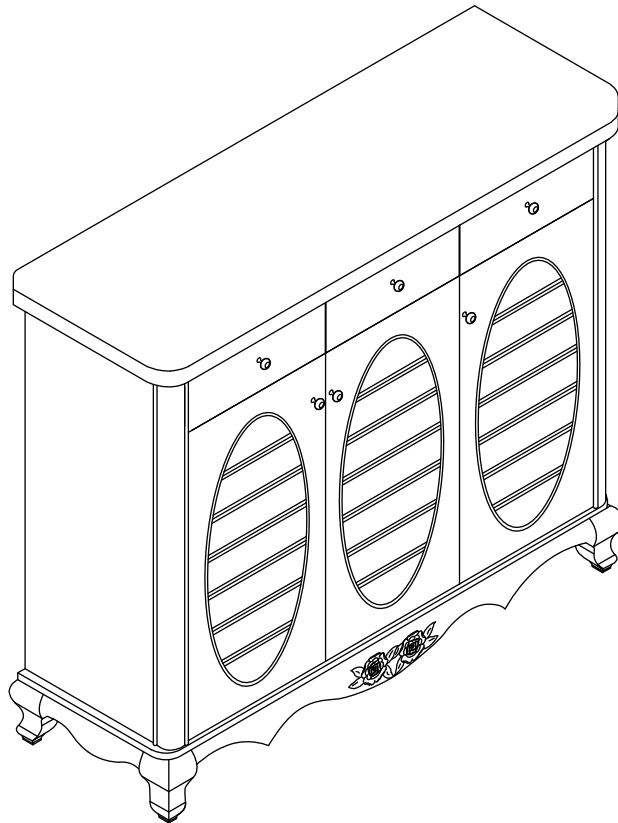
D  x3

J  x3

K  x4

L  x2

7



8