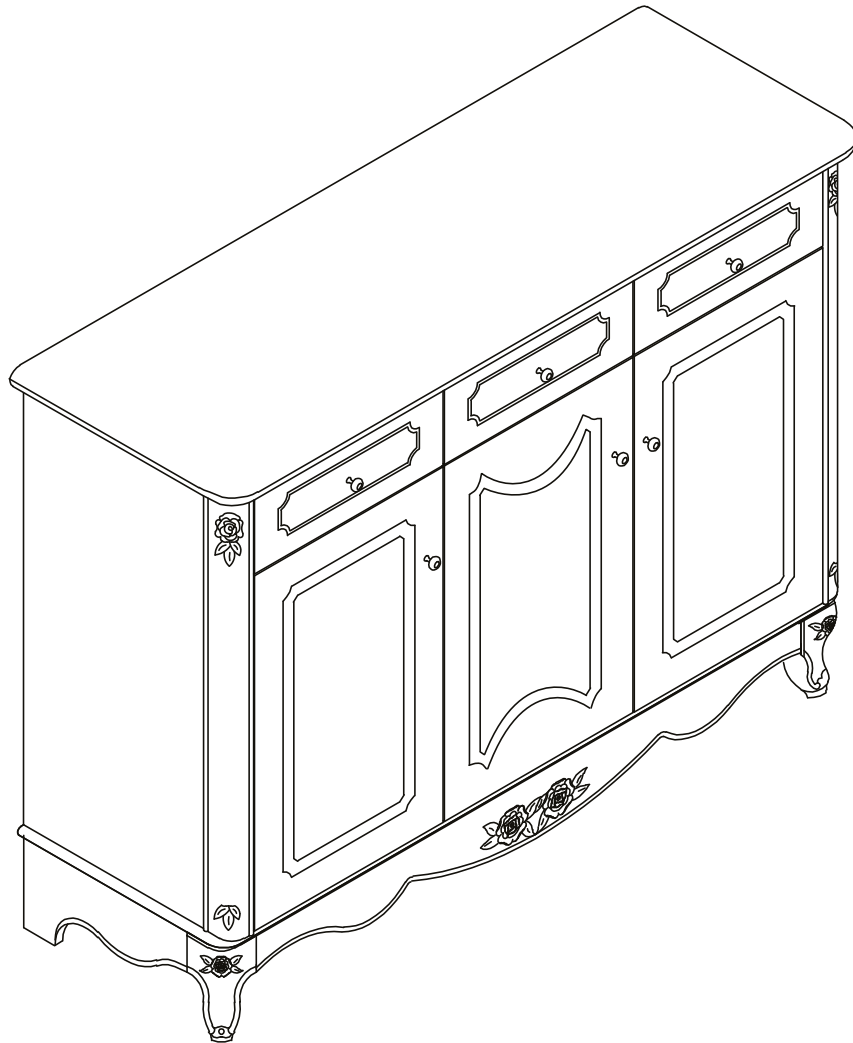
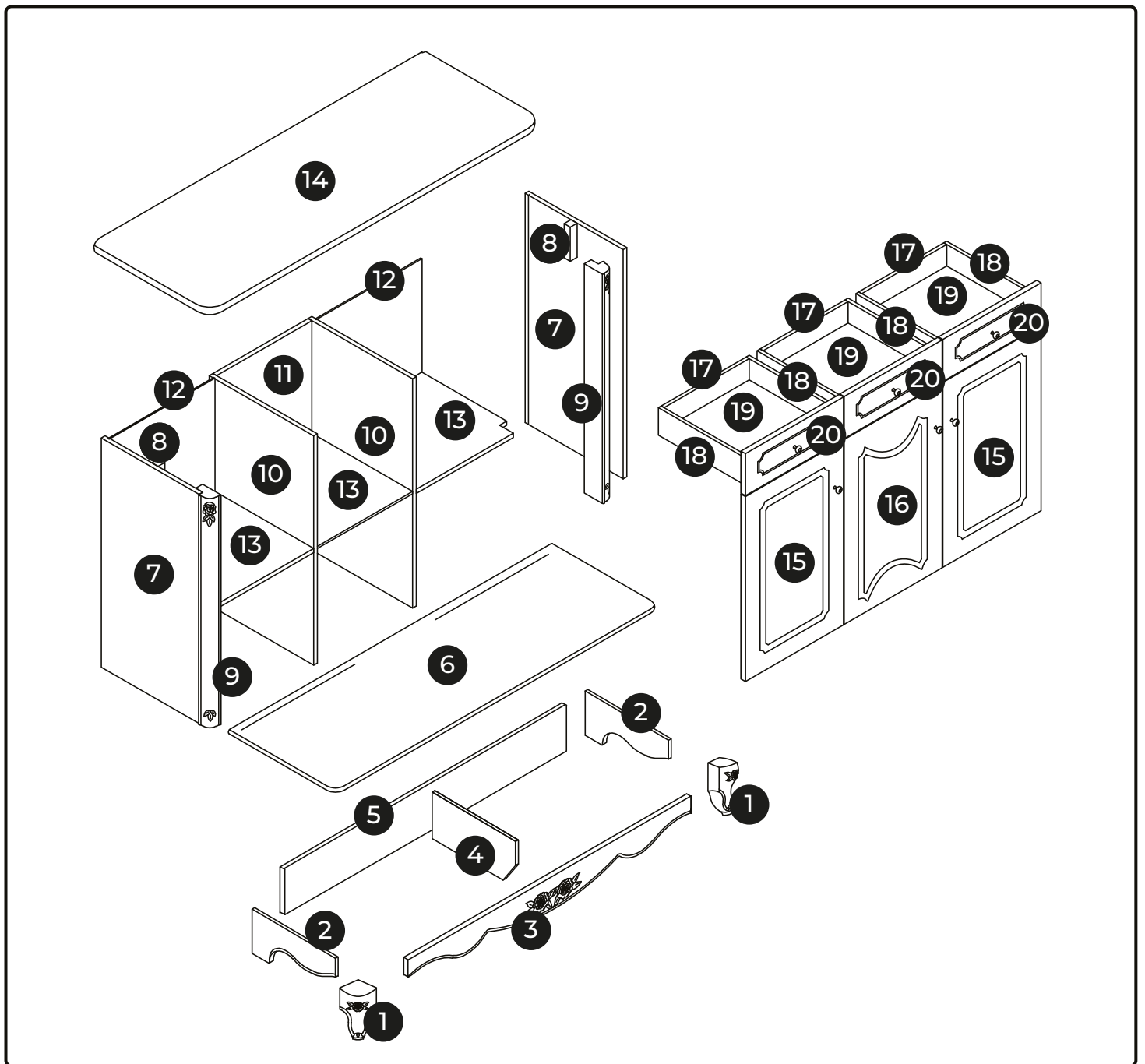


# 922

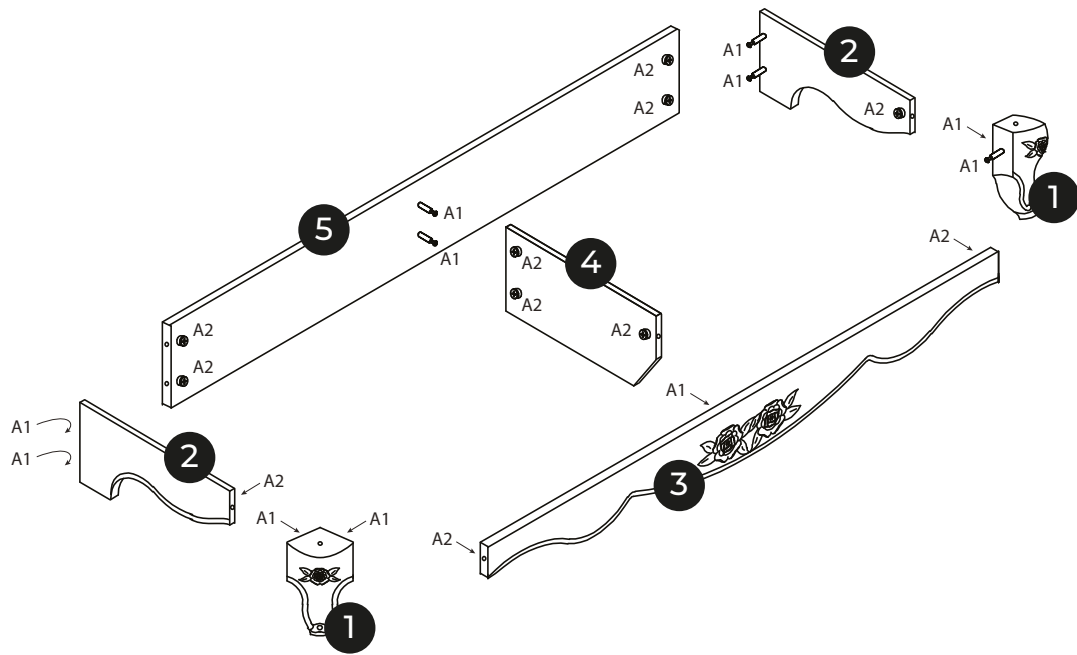
1360 x 500 x 1000 mm


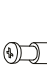


**BEMONDI**

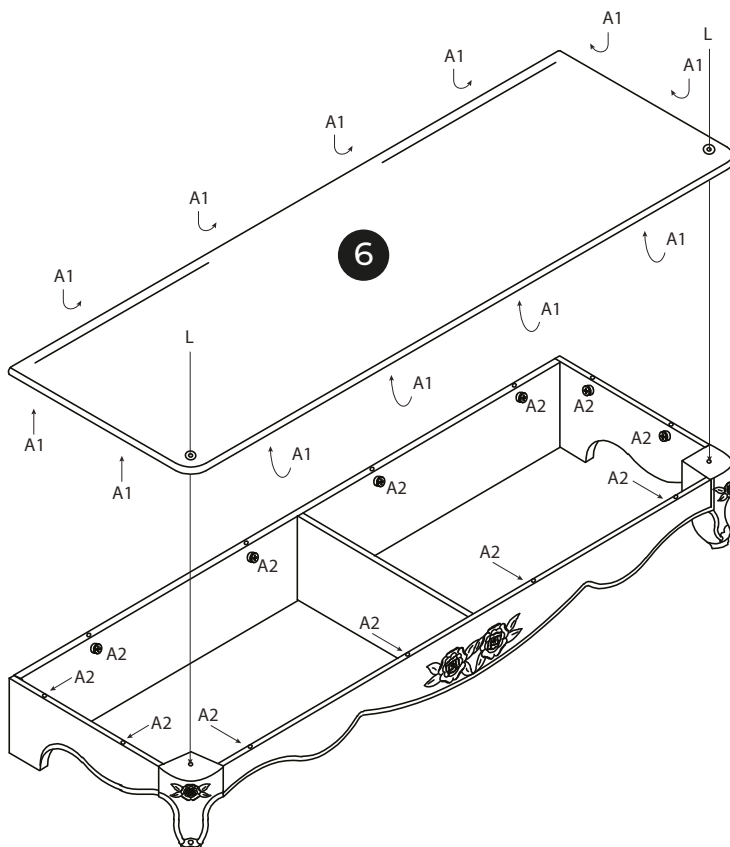




	<p><b>A</b> x57 Ø 15 mm</p>	<p><b>B</b> x16 Ø 8 x 30 mm</p>	<p><b>C</b> x34 Ø 3,5 x 15 mm</p>	<p><b>D</b> x12 Ø 3,5 x 35 mm</p>	<p><b>E</b> x6</p>	
	<p><b>F</b> x6 Ø 4 x 25 mm</p>	<p><b>G</b> x24 Ø 4 x 10 mm</p>	<p><b>H</b> x12 Ø 15 mm</p>	<p><b>I</b> x4</p>	<p><b>J</b> x2 Ø 8 x 25 mm</p>	
	<p><b>K</b> x10 Ø 6 x 30 mm</p>	<p><b>L</b> x2</p>	<p><b>M</b> x4</p>	<p><b>S</b> x6 300 x 35 mm</p>		



A   x11

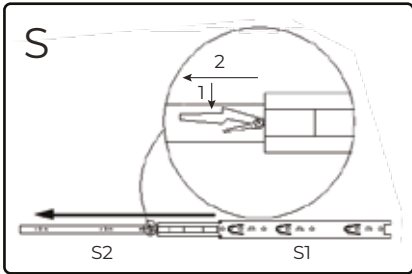
1



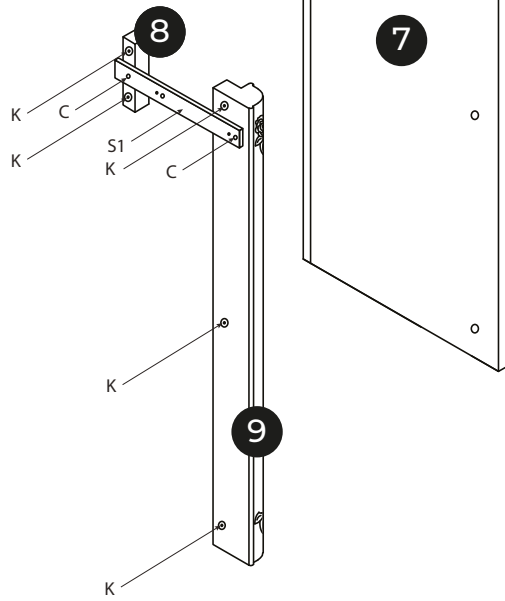
A   x12

L  x2

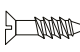
2



x2



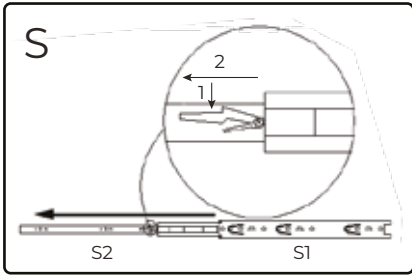
x2

C  x4

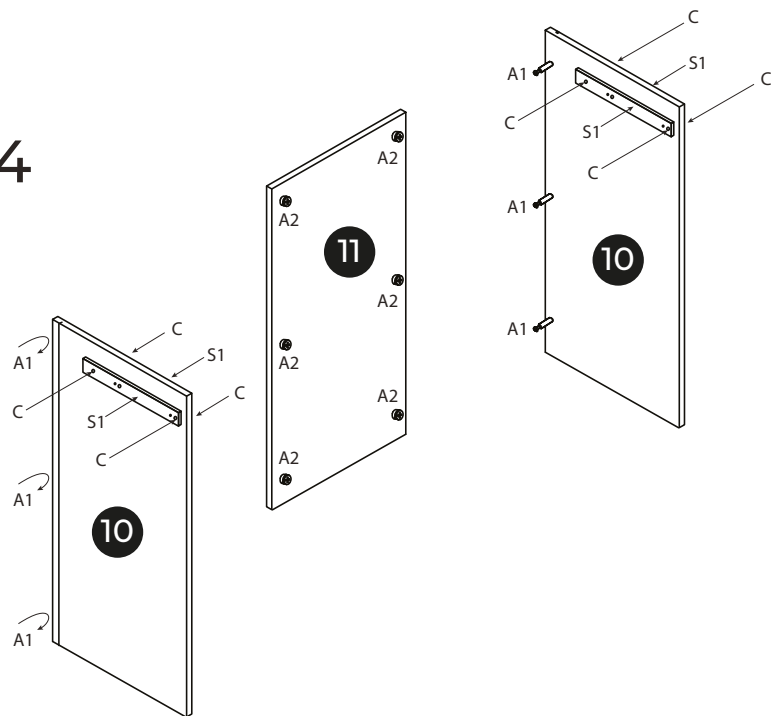
K  x10

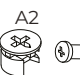
S1  x2

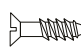
3



x4

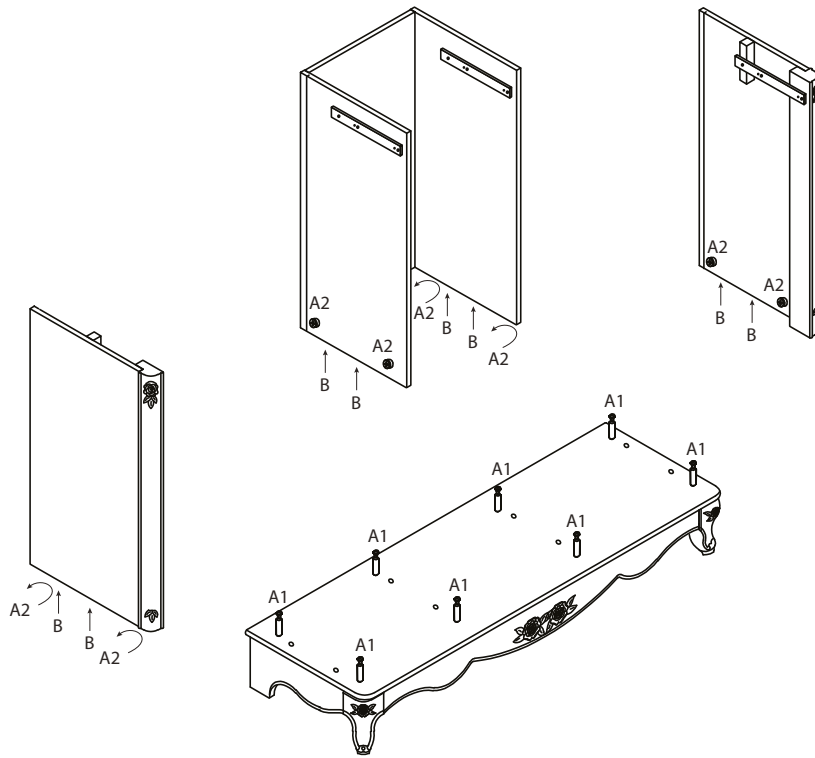



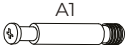
A  x6

C  x8

S1  x4

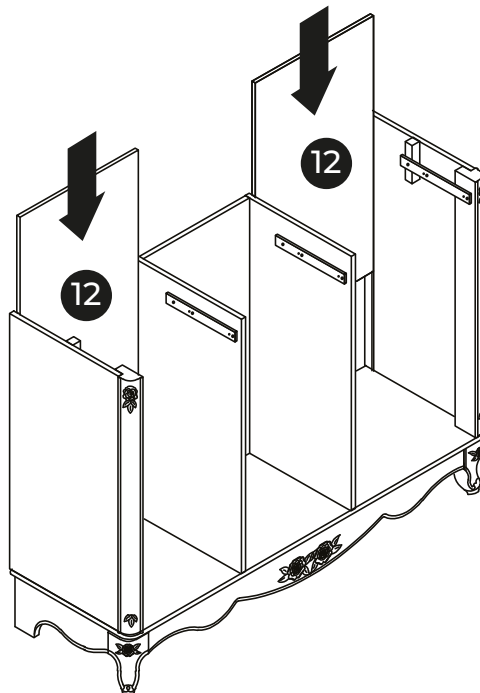
4



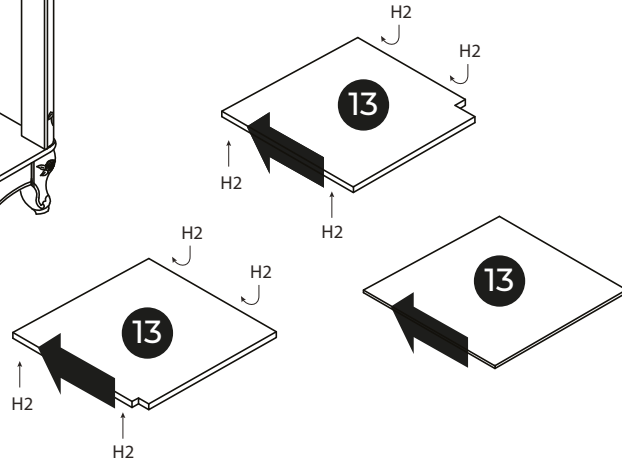
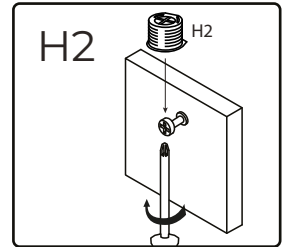
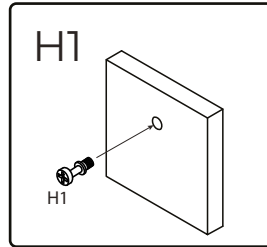
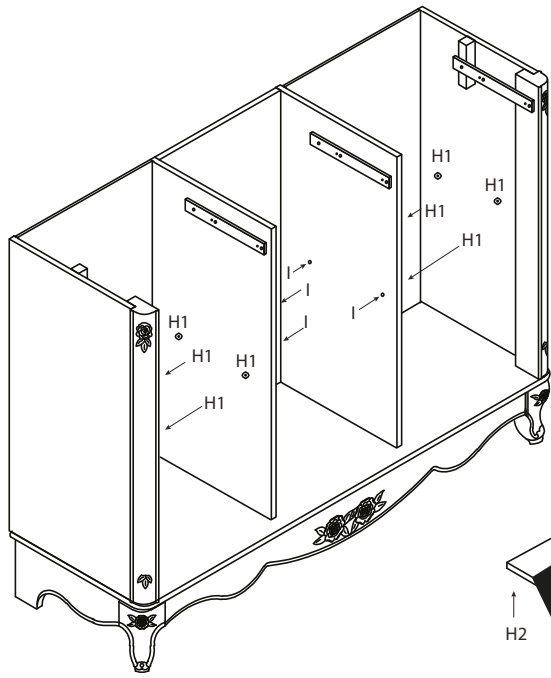
A   x8

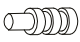
B  x8



5



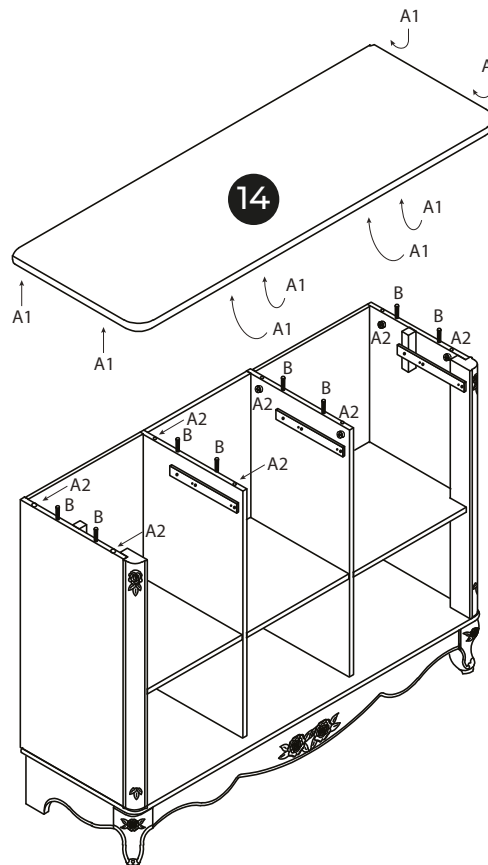
6





I  x4

H   x8

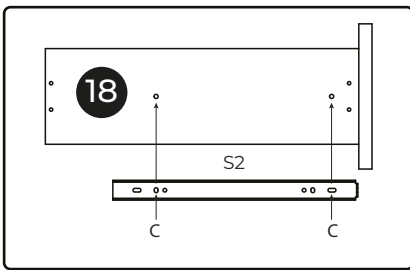
7



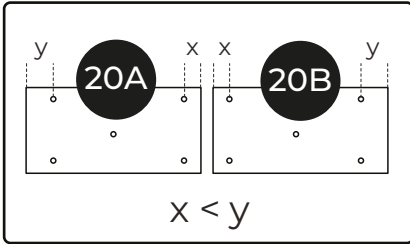
A   x8

B  x8

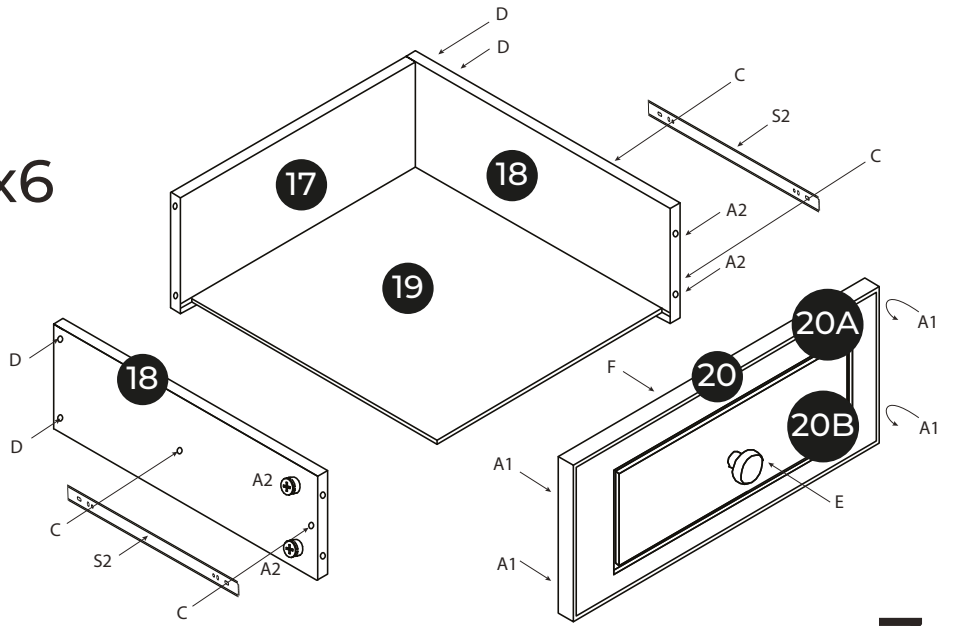
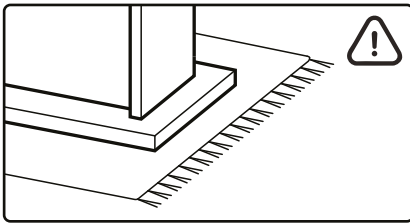
8





x6

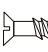


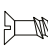
$x < y$

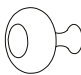


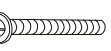
x3


A   x12

C  x12

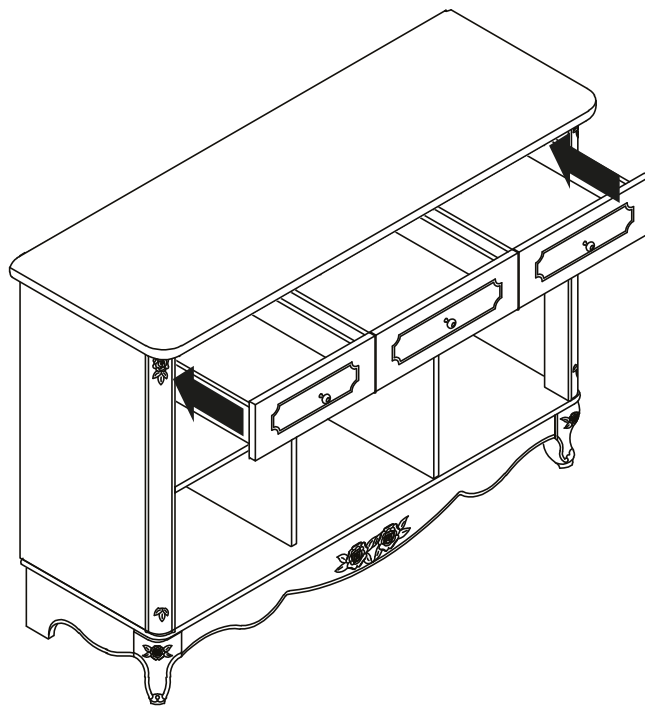
D  x12

E  x3

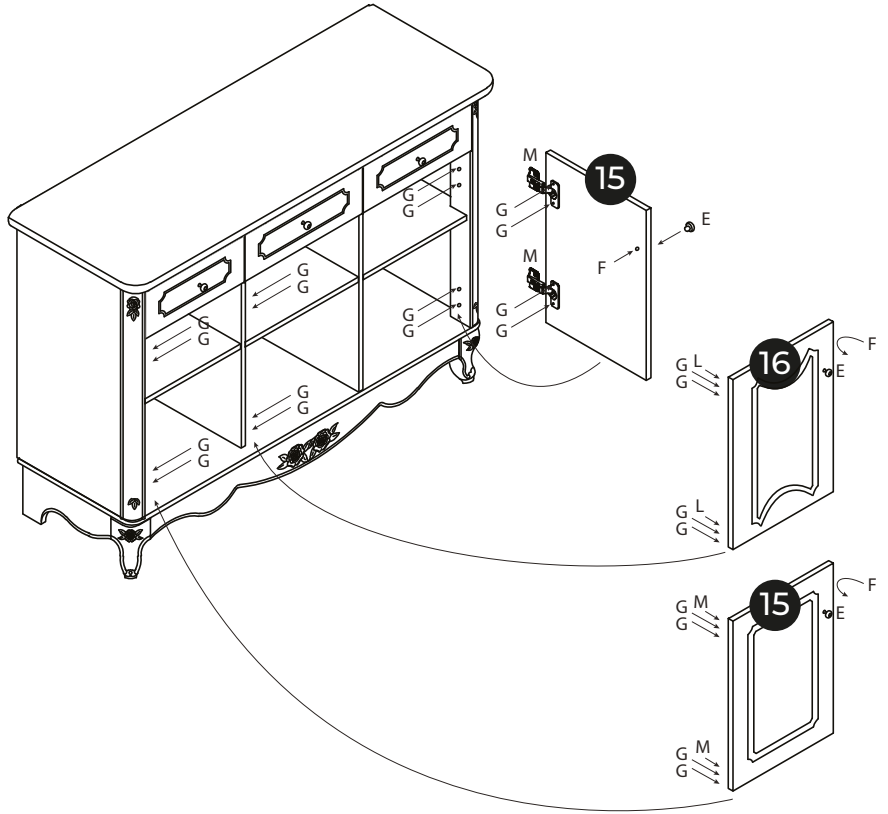
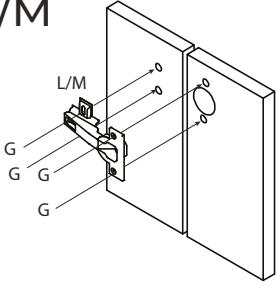
F  x3

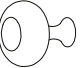
S2  x6


9





L/M



E  x3

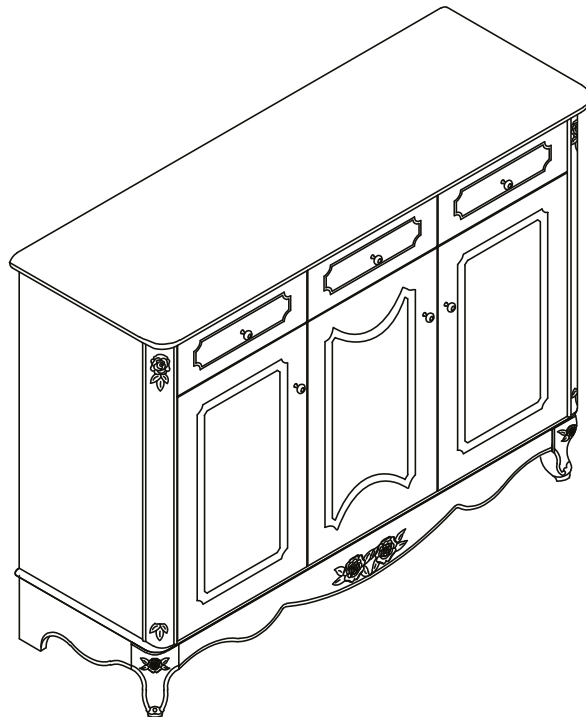
F  x3

G  x24

L  x2

M  x4

11



12