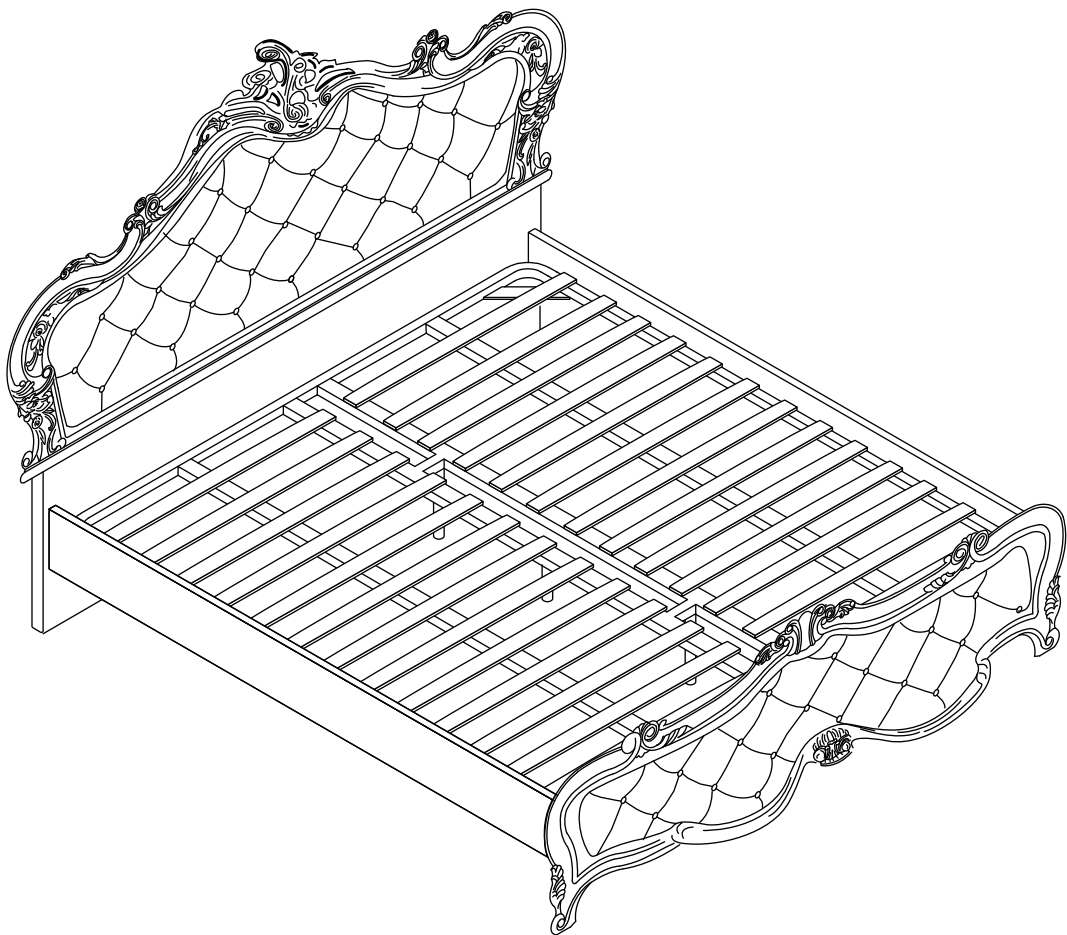
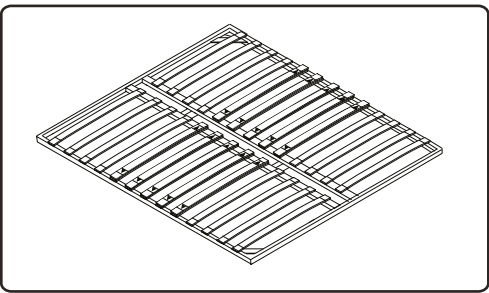
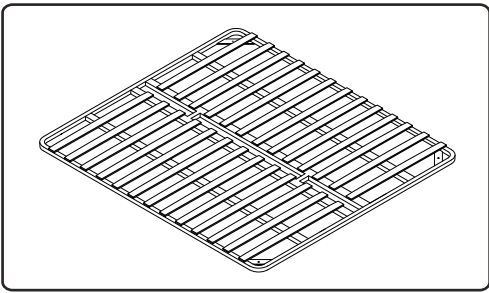


# 960

180 x 200 2180 x 2160 x 1700 mm

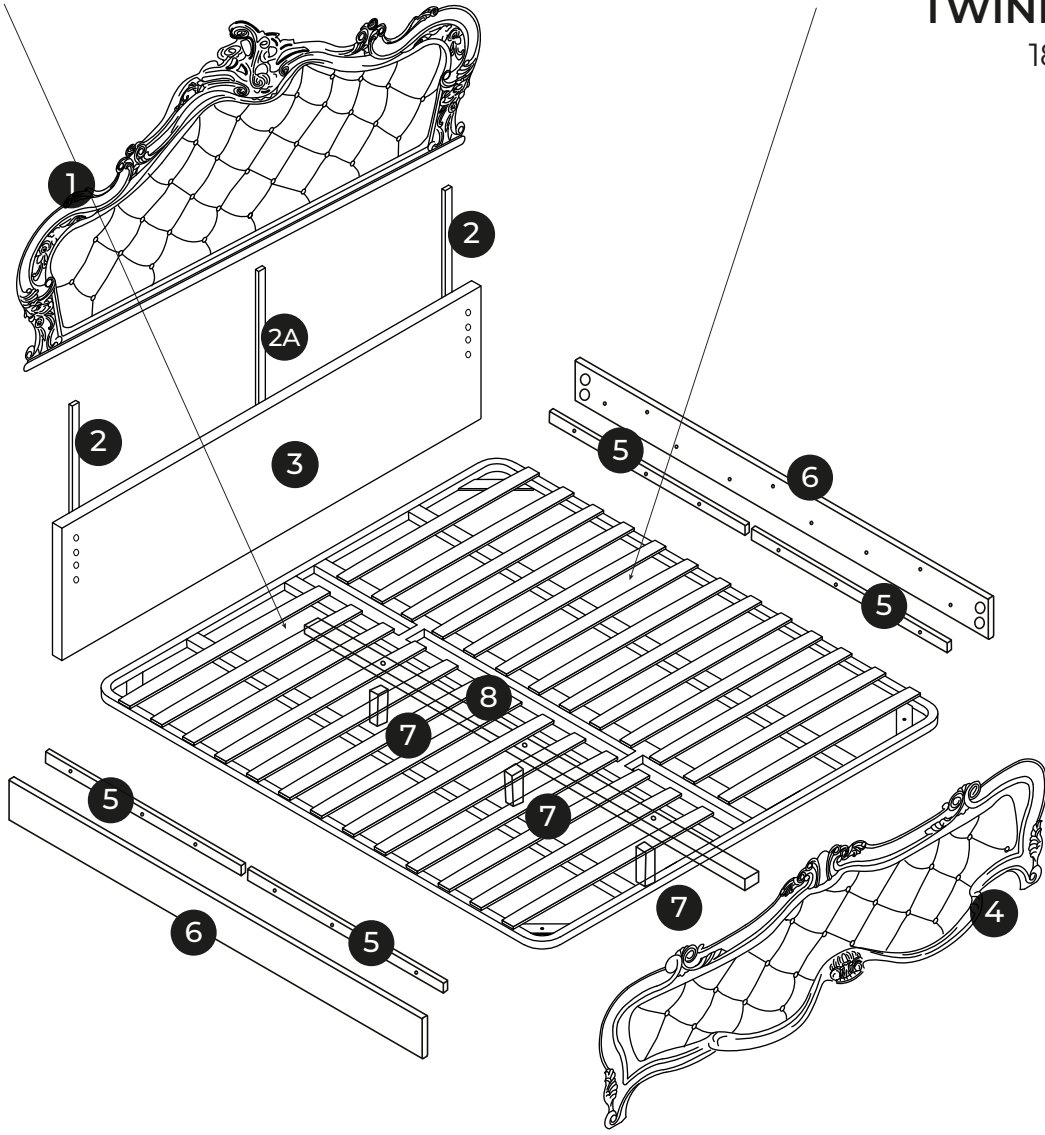


**BEMONDI**

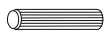


**BED BASE**  
180x200

**TWINPACK**  
180x200



**A x4**  
Ø 8 x 100 mm



**B x8**  
Ø 8 x 30 mm



**C x18**  
Ø 6 x 50 mm



**D x4**  
Ø 8 x 70 mm



**E x8**



**F x8**  
Ø 8 mm



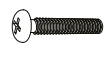
**G x4**  
Ø 8 mm



**H x8**



**I x14**  
Ø 3.5 x 16mm



**J x6**  
Ø 6 x 35 mm



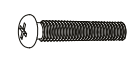
**K x17**  
Ø 3,5 x 35mm



**L1 x2**



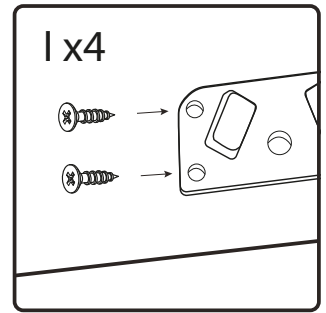
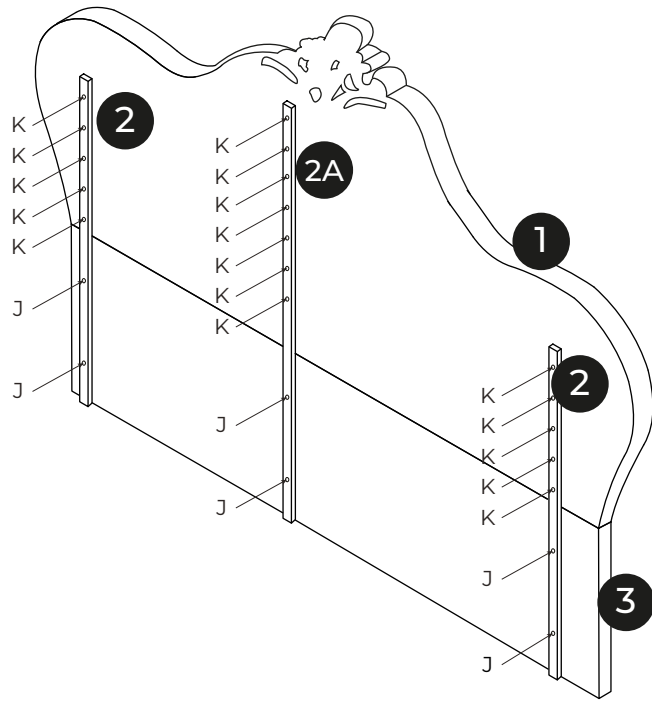
**L2 x2**



**M x3**  
Ø 8 x 45 mm



**N x3**  
Ø 20 mm



L1 + 4 x I

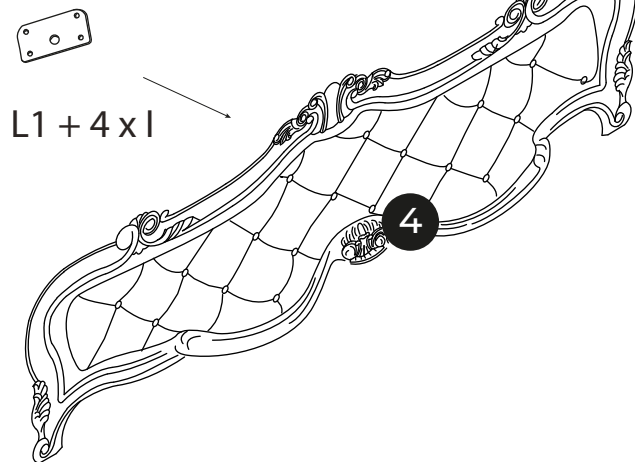
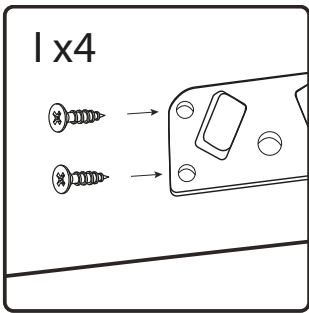
I  x4

J  x6

K  x17


L1  x1

1

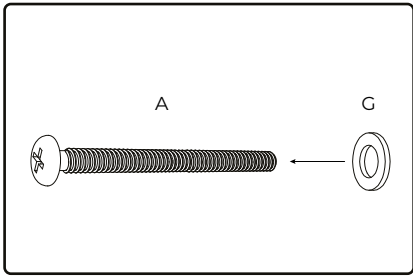


L1 + 4 x I

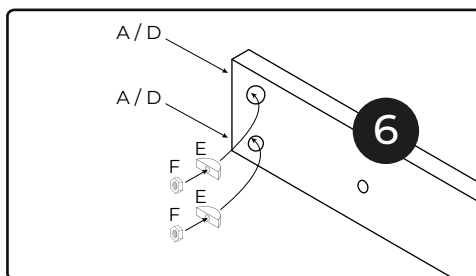
I  x4

L1  x1

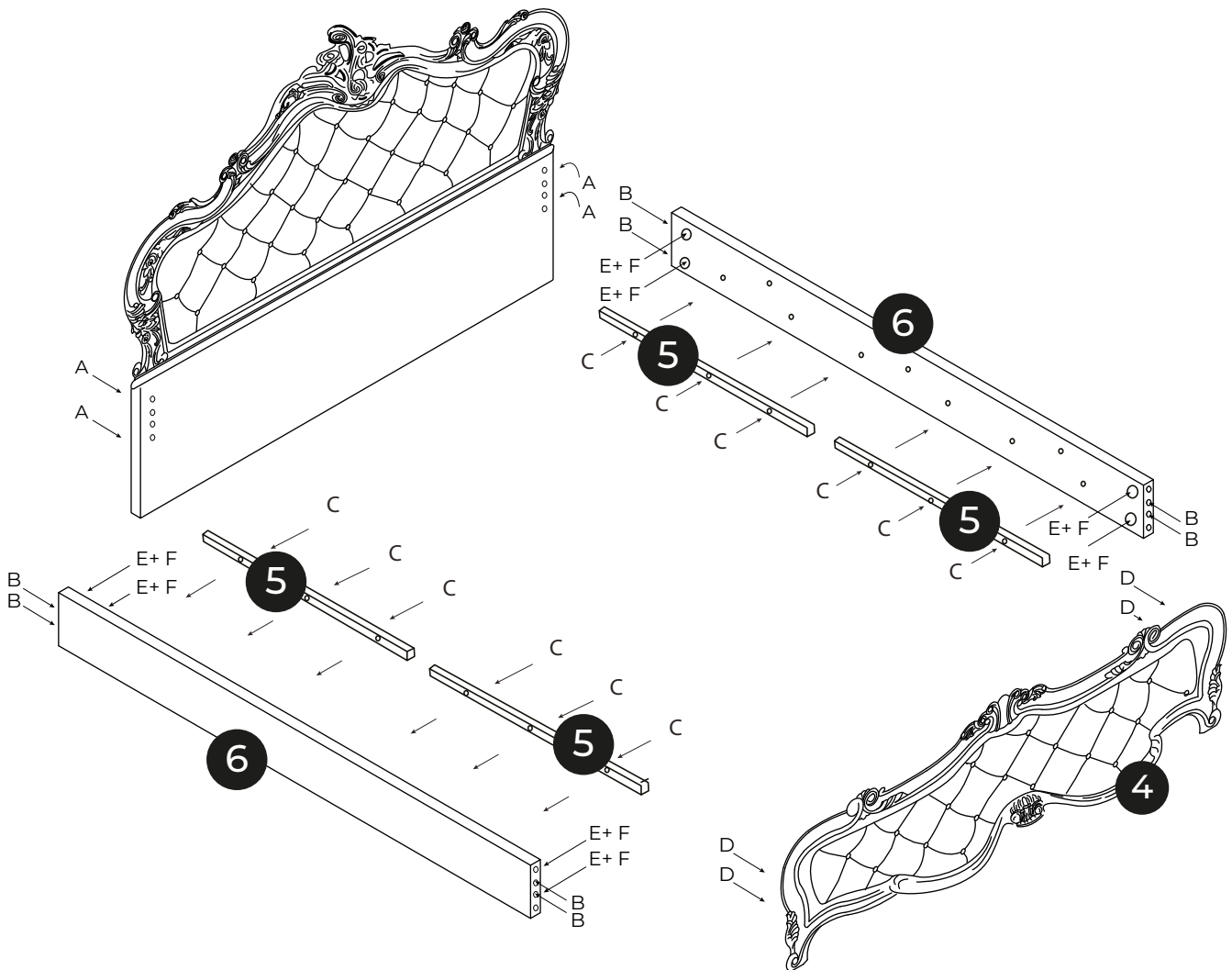
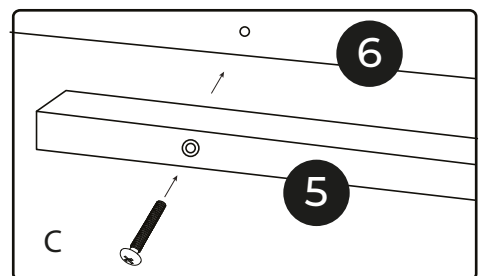
2





x4




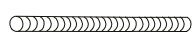
x4





A  x4

B  x8

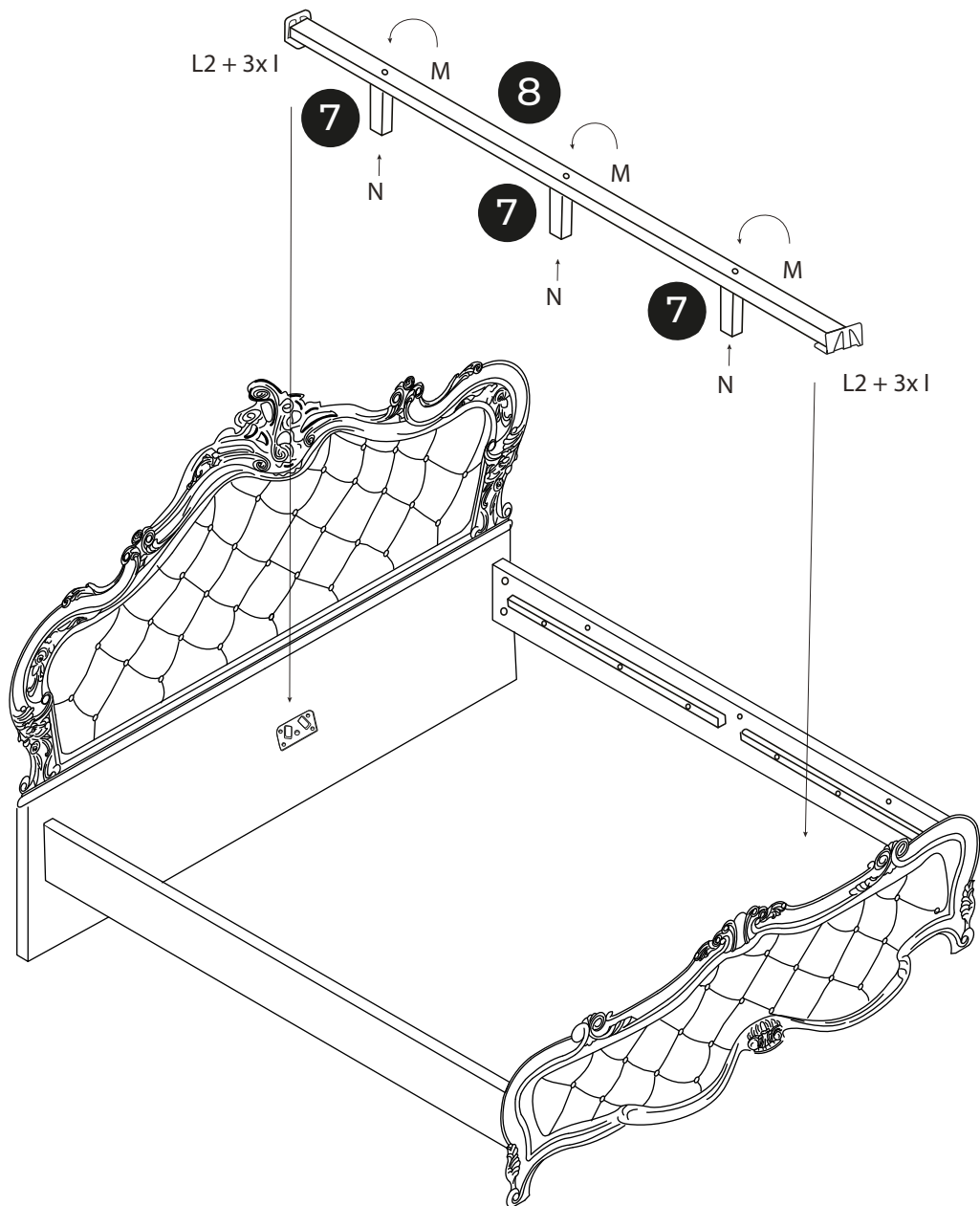
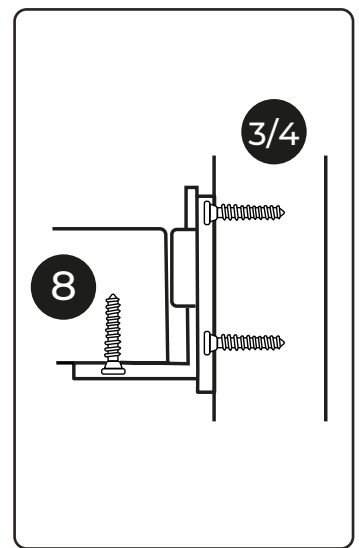
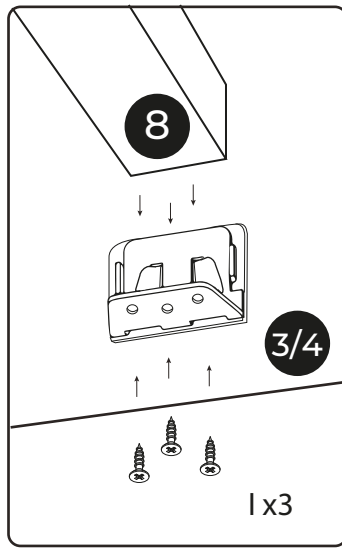
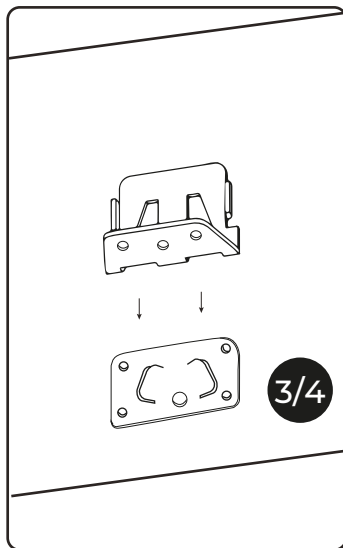
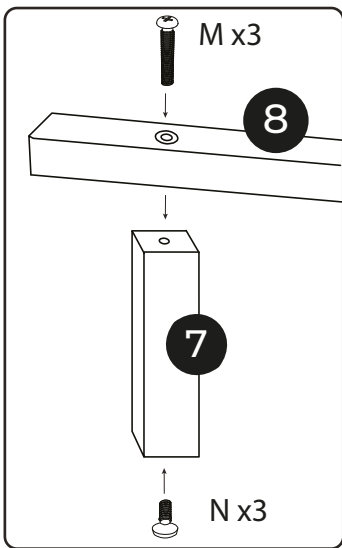
C  x12

D  x4

E  x8


F  x8

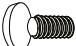
G  x4

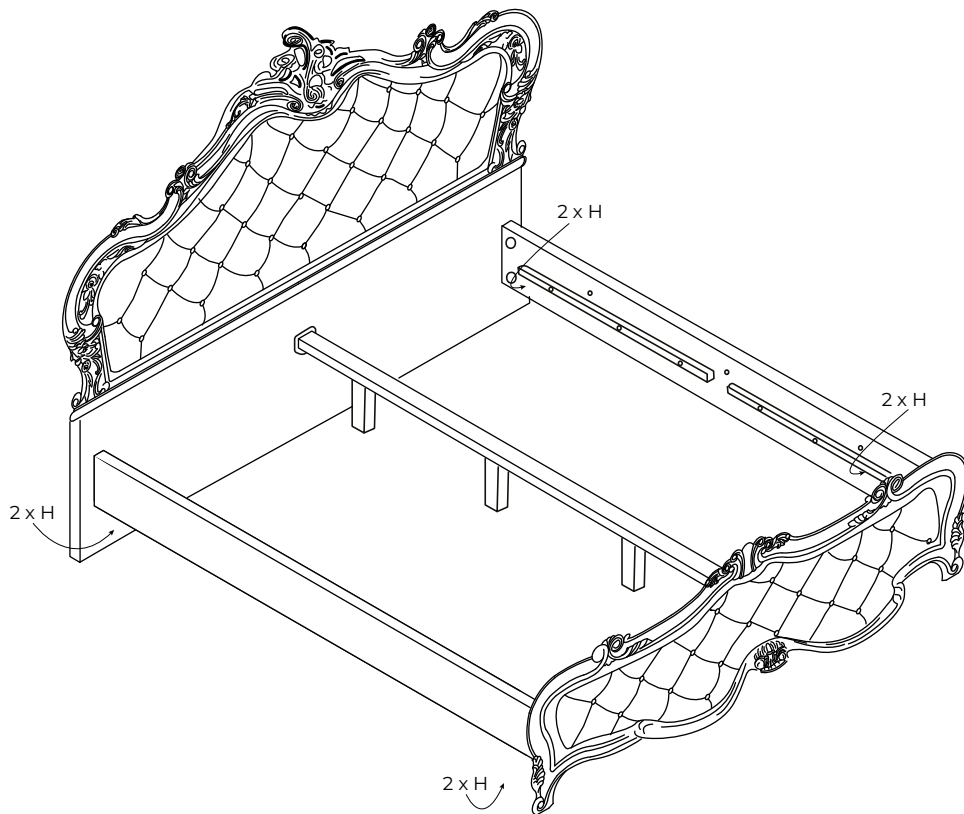


I  x6

L2  x2

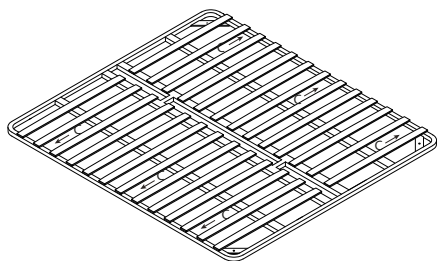
M  x3

N  x3

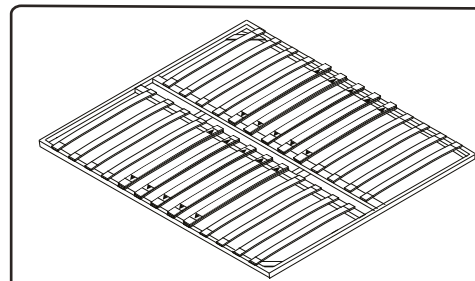


H  x8

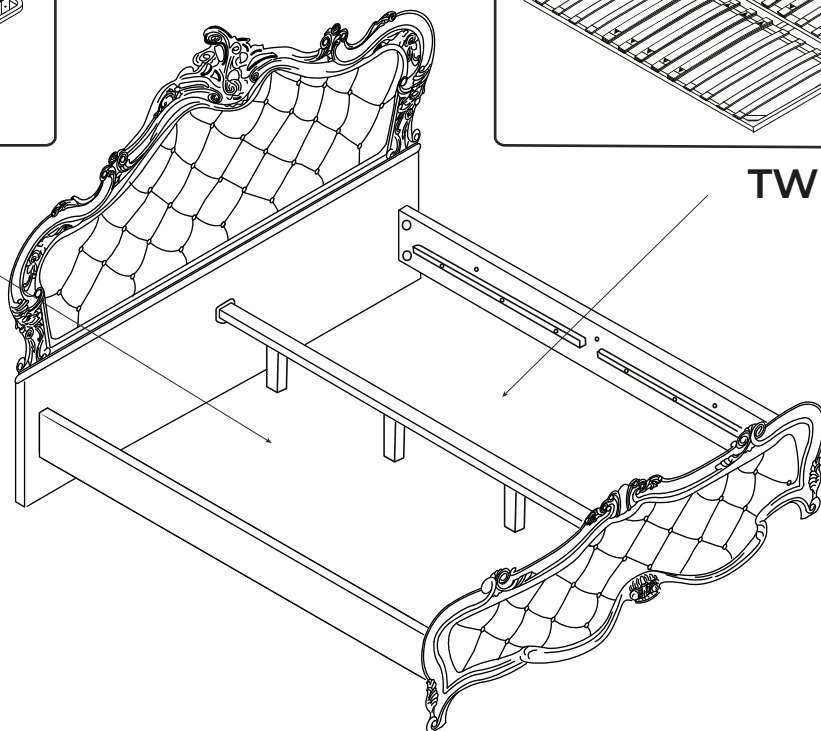
5



**BED BASE**  
180x200



**TWINPACK**  
180x200

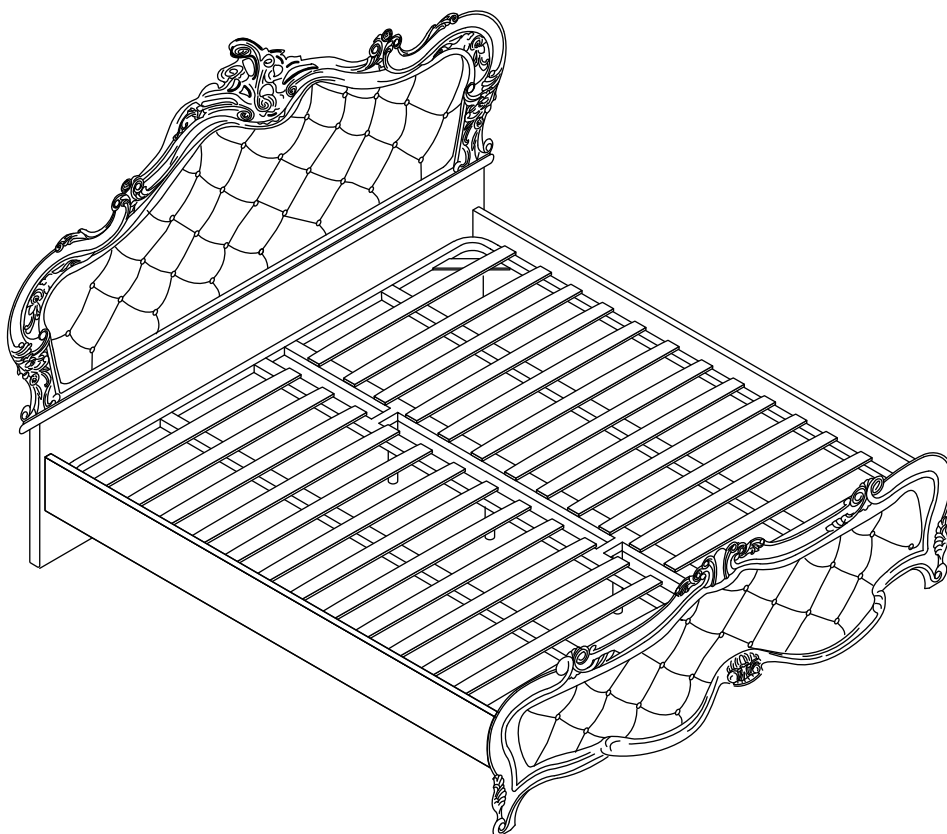


C  x6 **BED BASE**

6

## BED BASE

180x200



## TWINPACK

180x200

