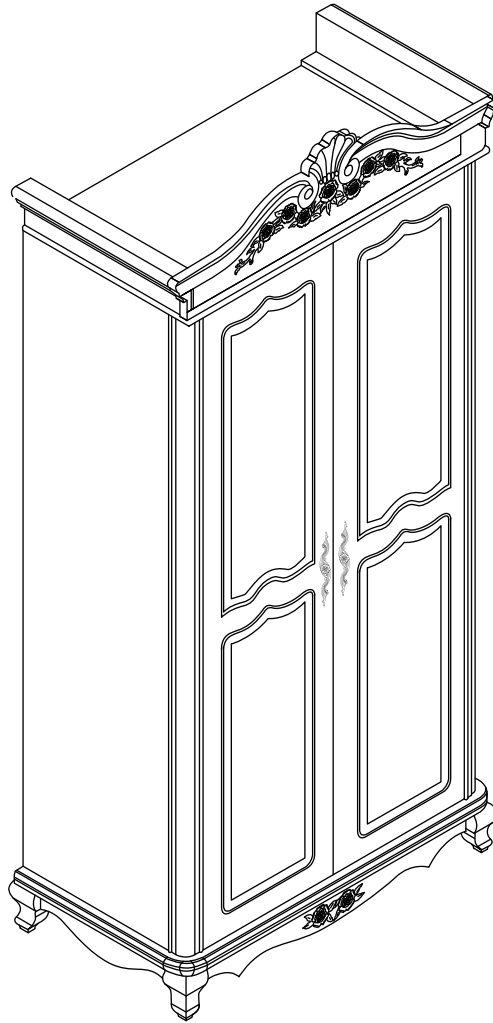
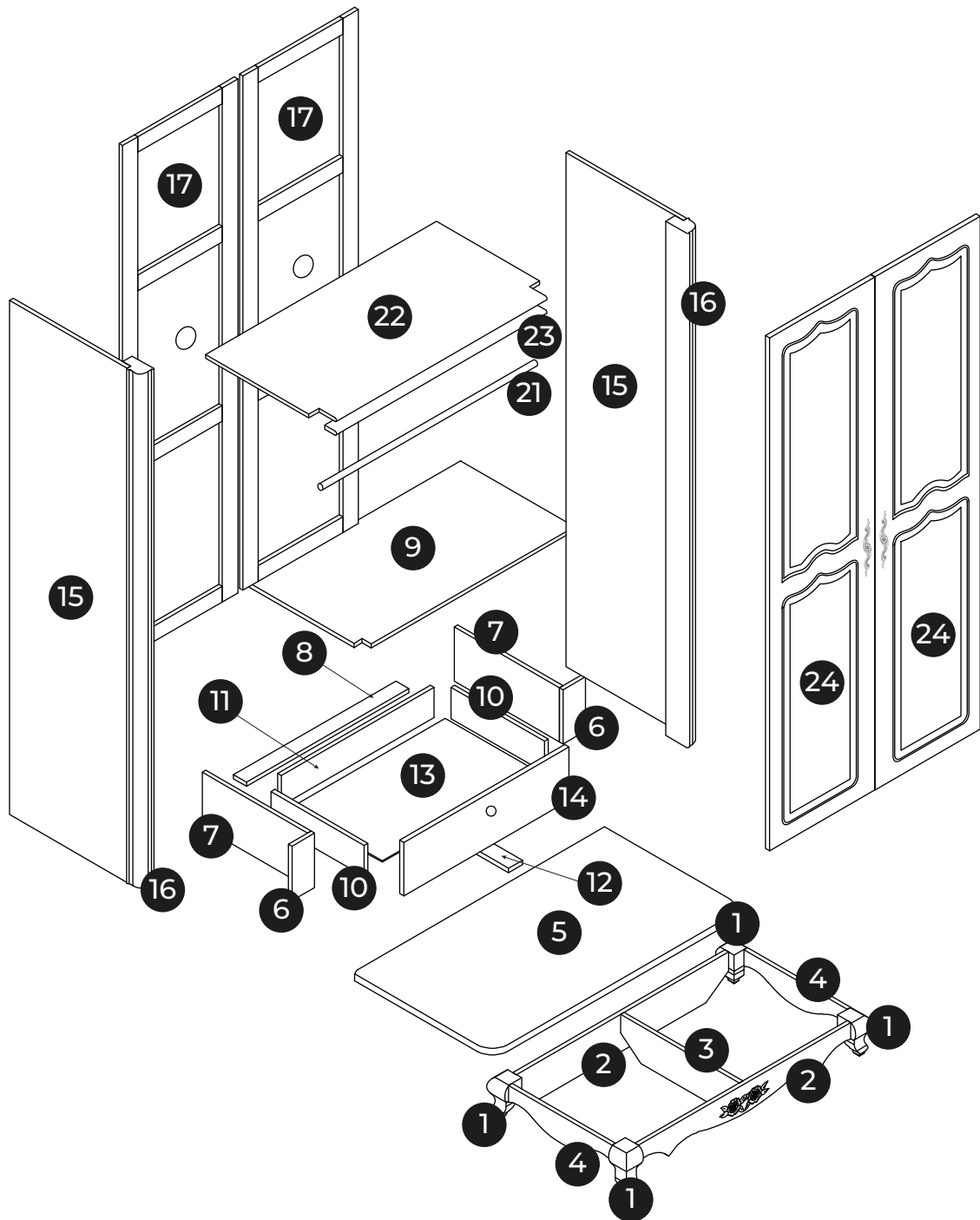
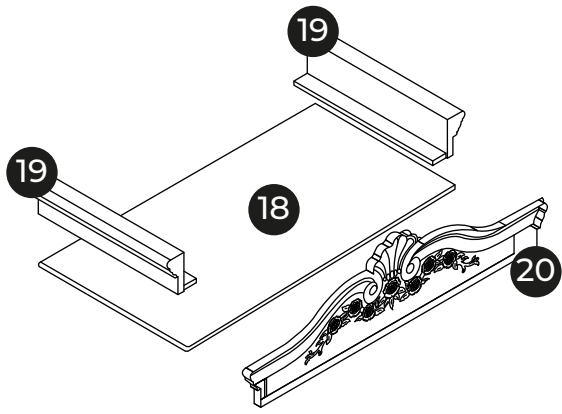


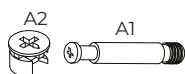
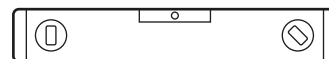
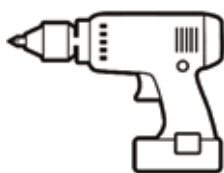
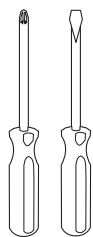
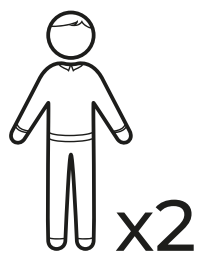
962-2

1120 x 590 x 2410 mm



BEMONDI





A x 67
Ø 15 mm



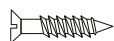
B x 18
Ø 8 x 30 mm



C x 24
Ø 3.5 x 15 mm



D x 6
Ø 3.5 x 35 mm



E x 6
Ø 3.5 x 25 mm



F x 2



G x 4
Ø 4 x 18 mm



H x 2
Ø 4 x 25 mm



I x 32
Ø 4 x 10 mm



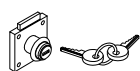
J x 4
Ø 20 mm



K x 2
Ø 60 mm



L x 2



M x 1



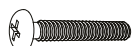
N x 8



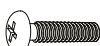
O x 2
17 x 17 x 26 mm



P x 4
Ø 8 x 50 mm



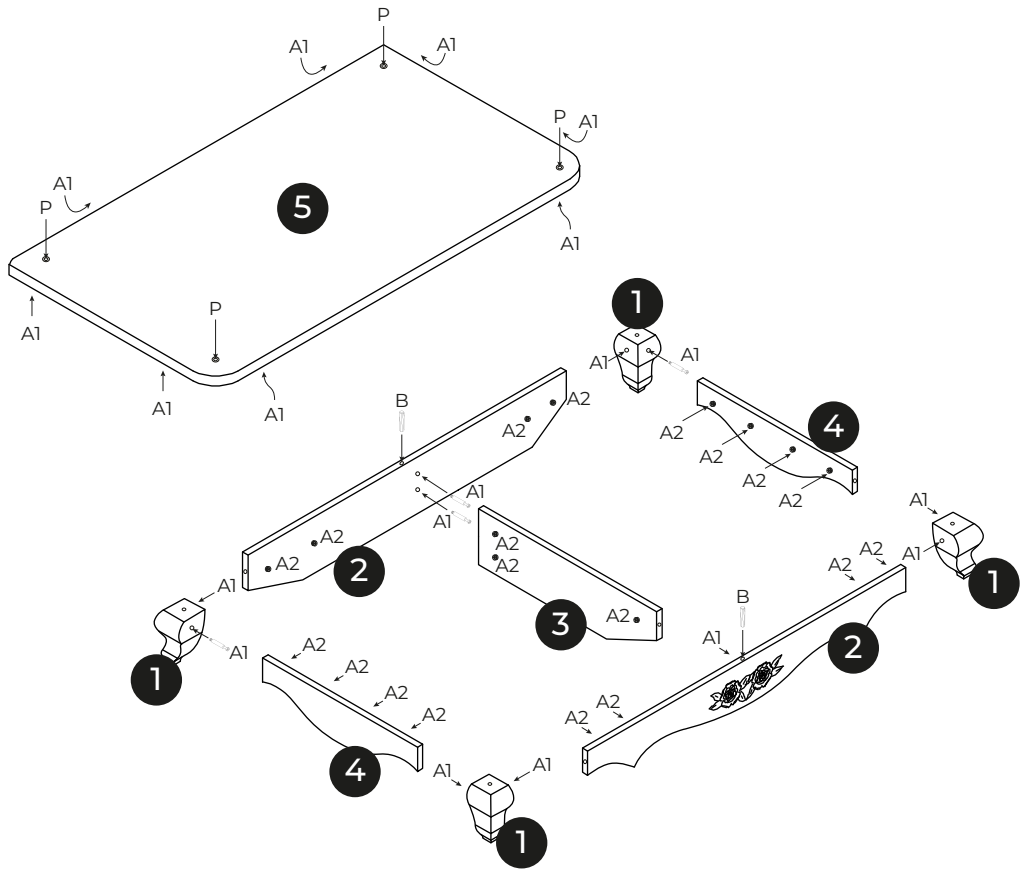
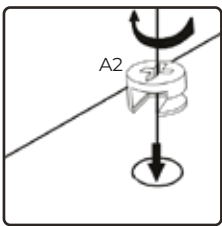
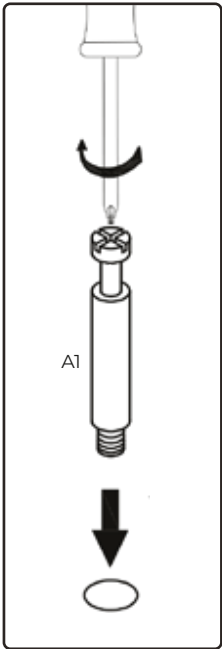
Q x 8
Ø 6 x 45 mm


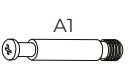


R x 3
Ø 6 x 20 mm



S x 2
300 x 35 mm

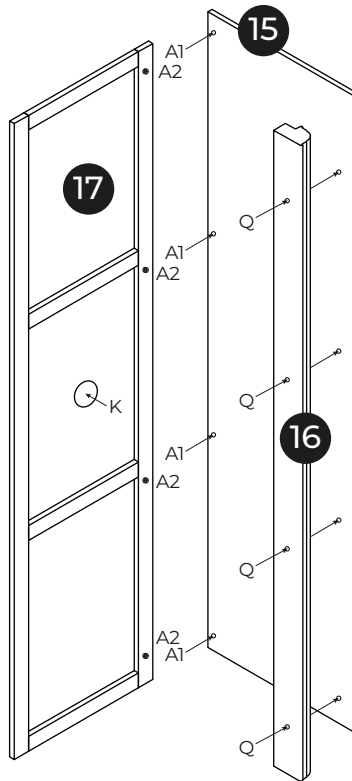


A   x19

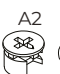
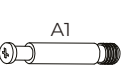
B  x2

P  x4

1



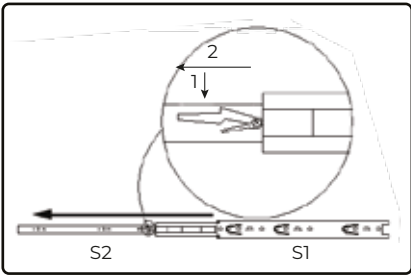
x2

A   x8

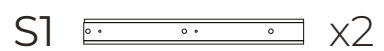
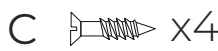
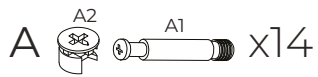
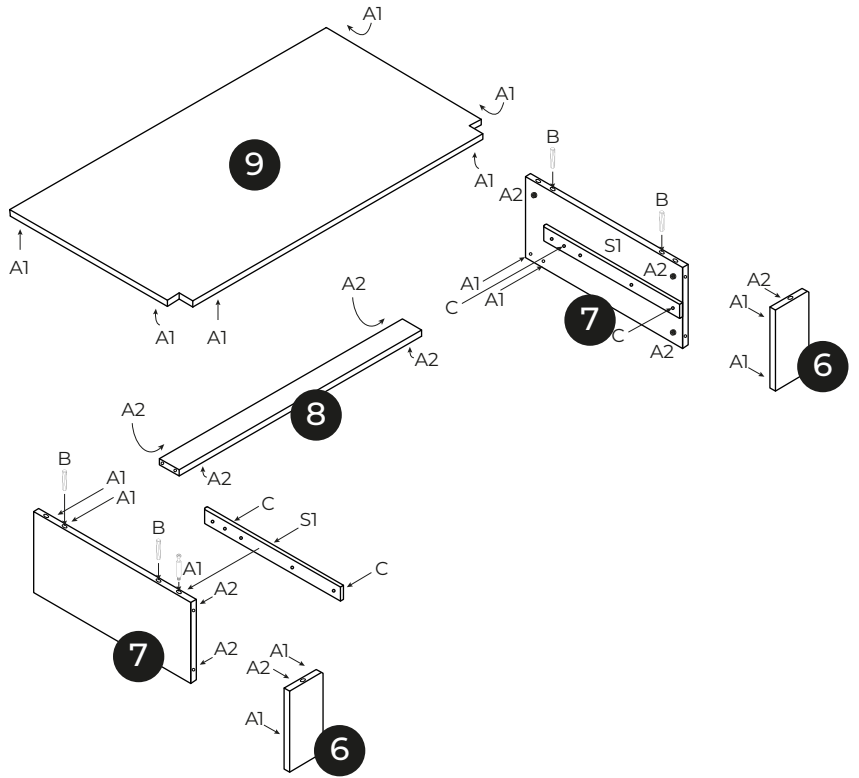
K  x2

Q  x8

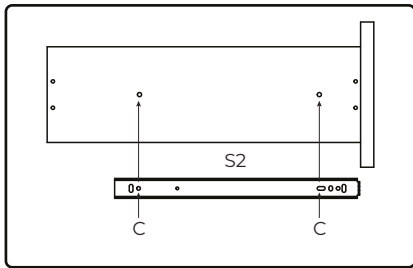
2



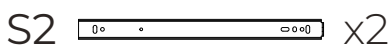
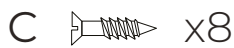
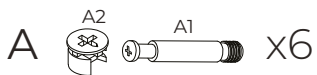
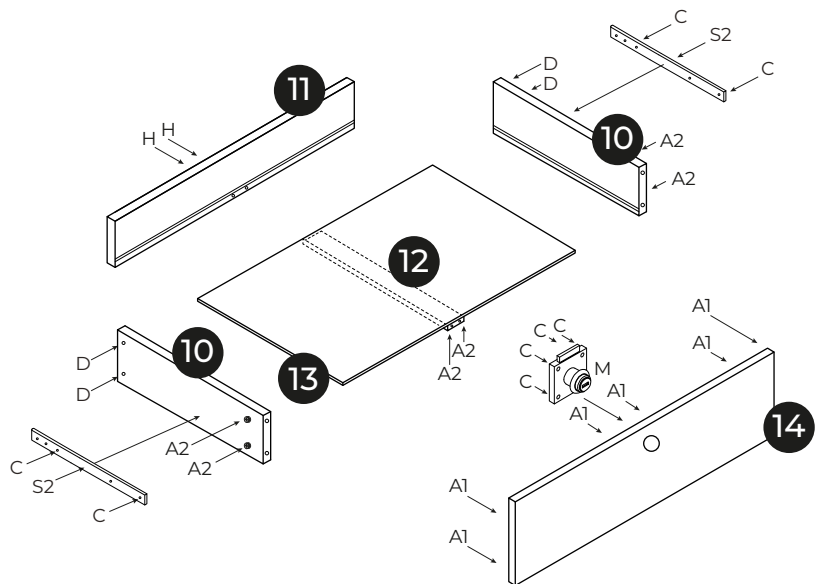
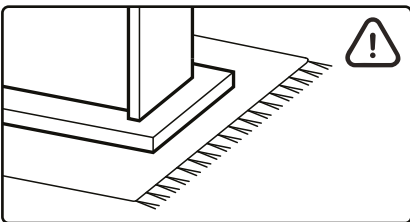
x2



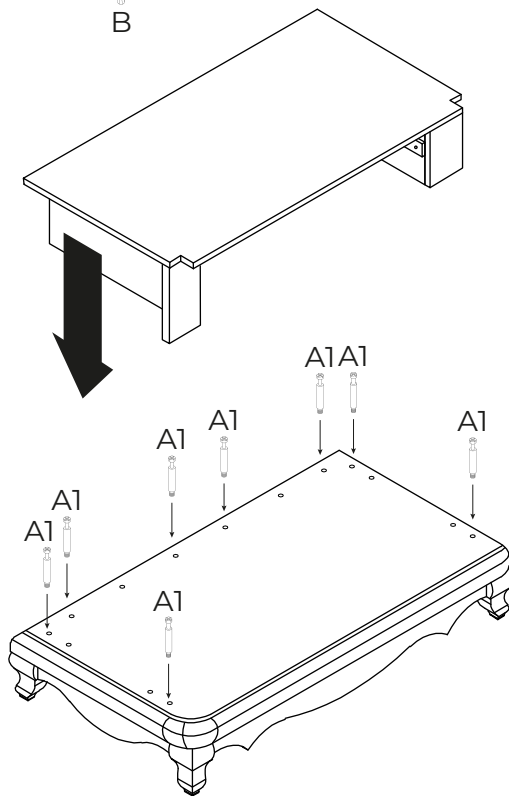
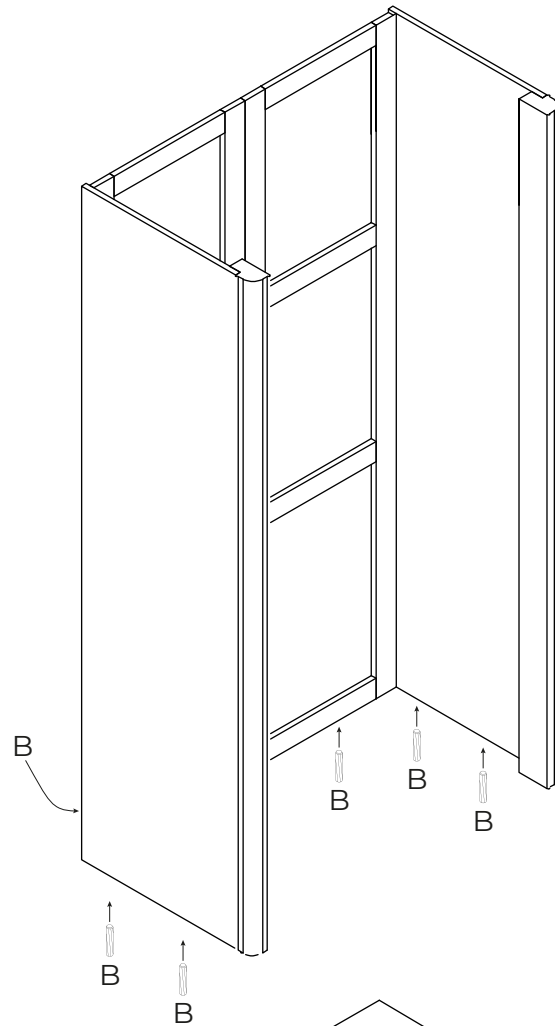
3


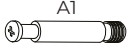


x2

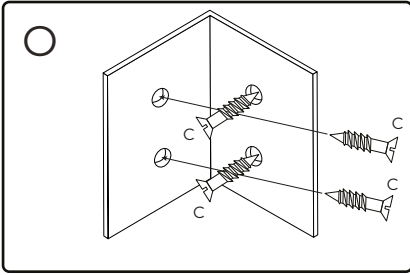


4

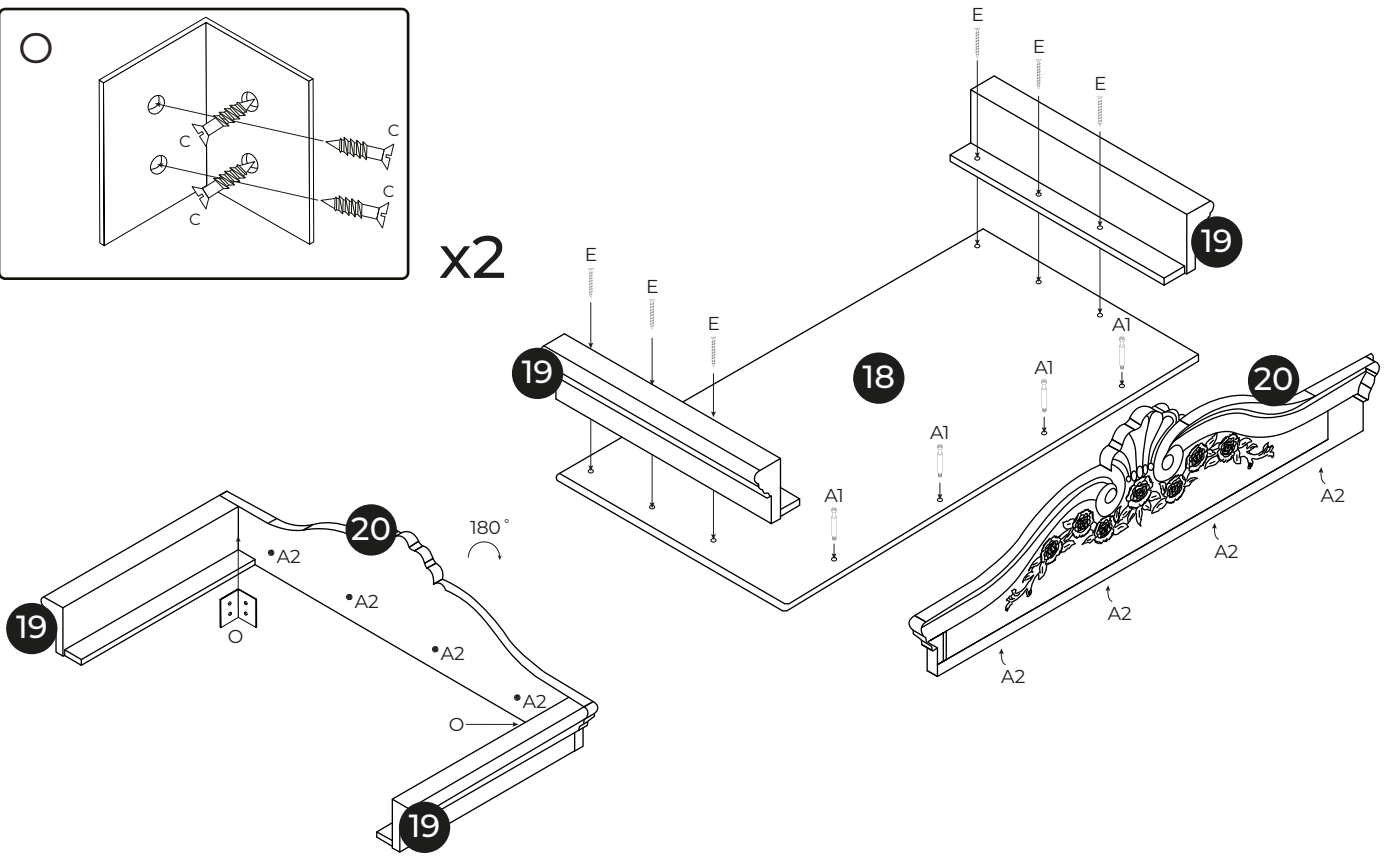



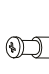
A   x8

B  x6



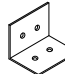
x2



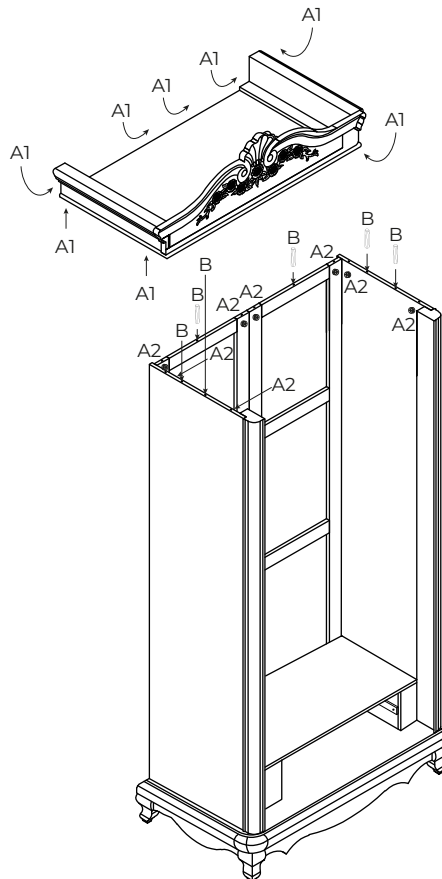
A   x4



C  x8

E  x6

O  x2

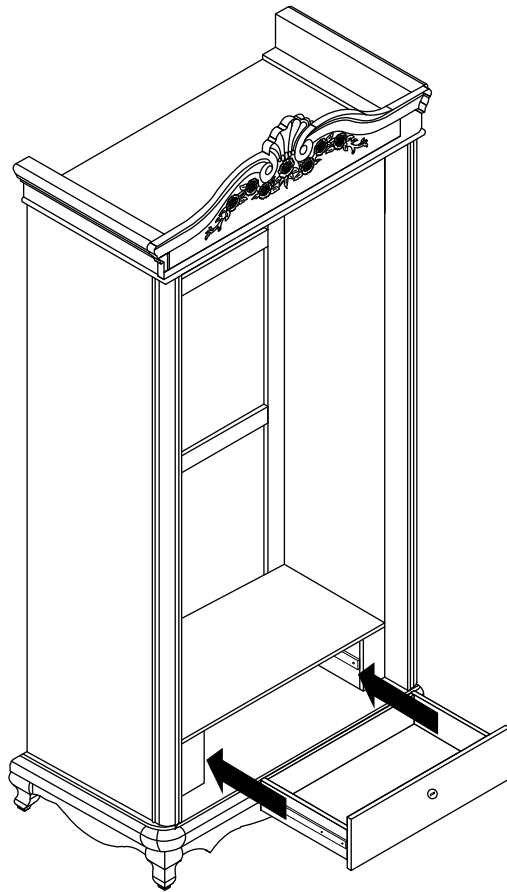
6



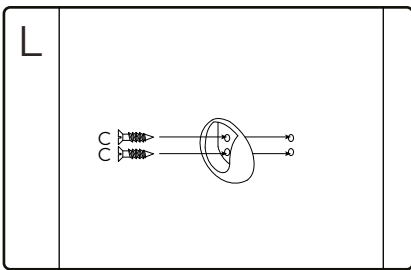
A   x8

B  x6

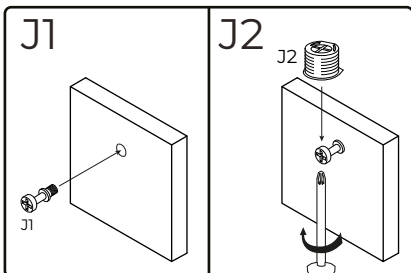
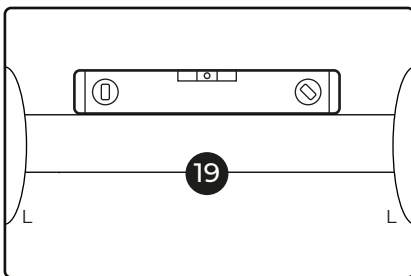
7



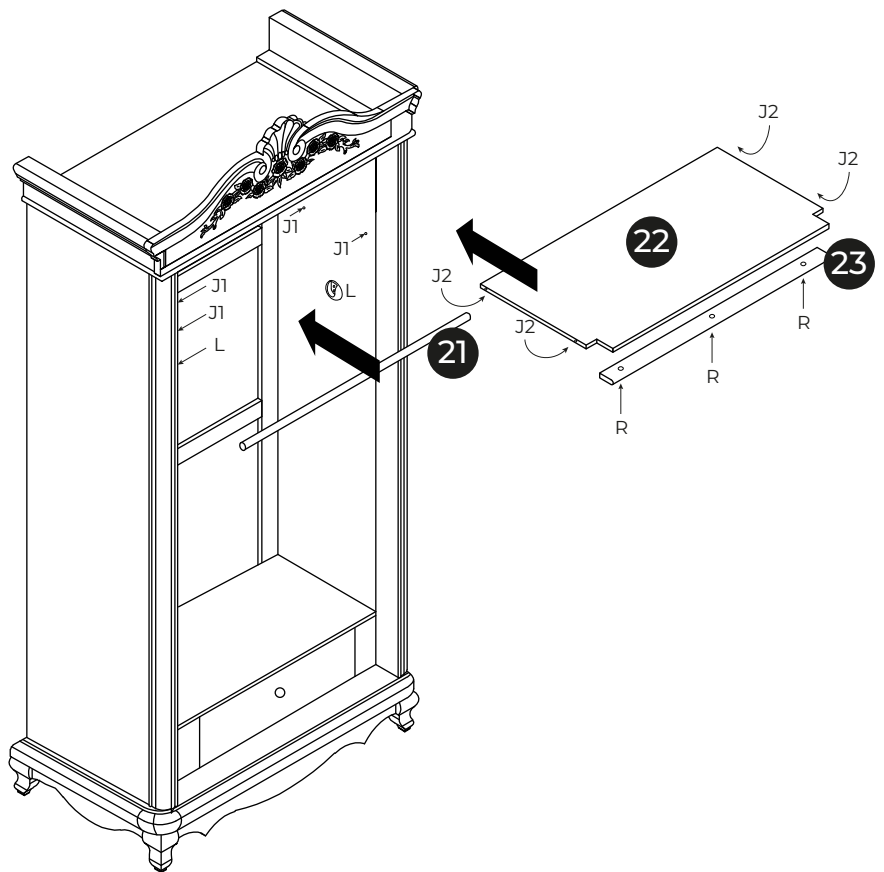
8

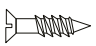




x2



x4



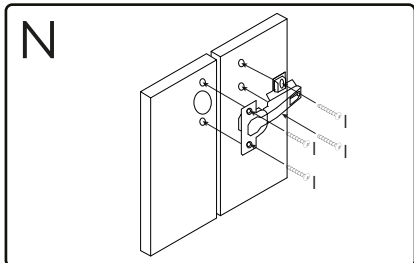
C  x4

J   x4

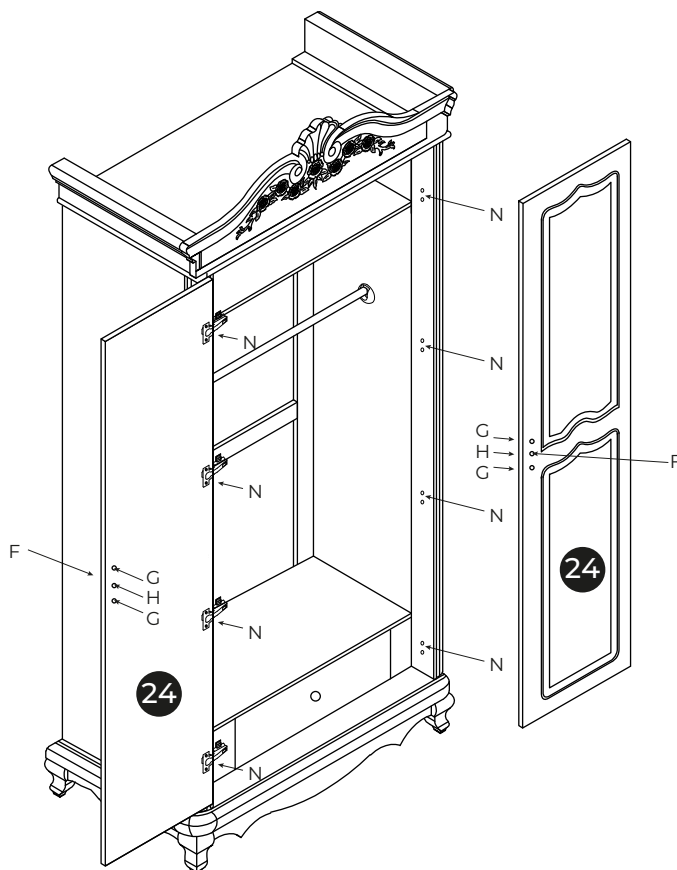
L  x2

R  x3


9




x8



F  x2

G  x4

H  x2

I  x32

N  x8

10

