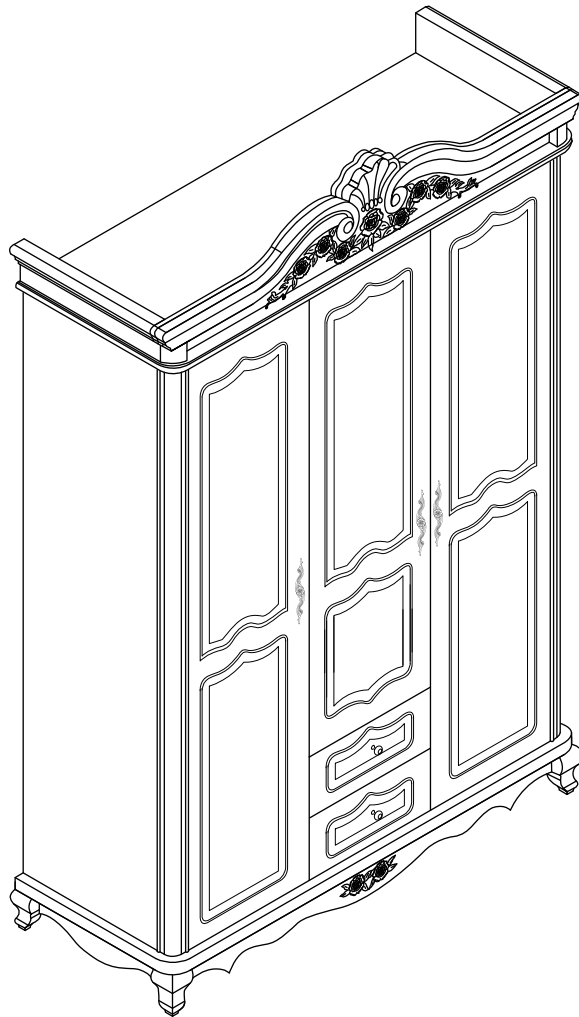
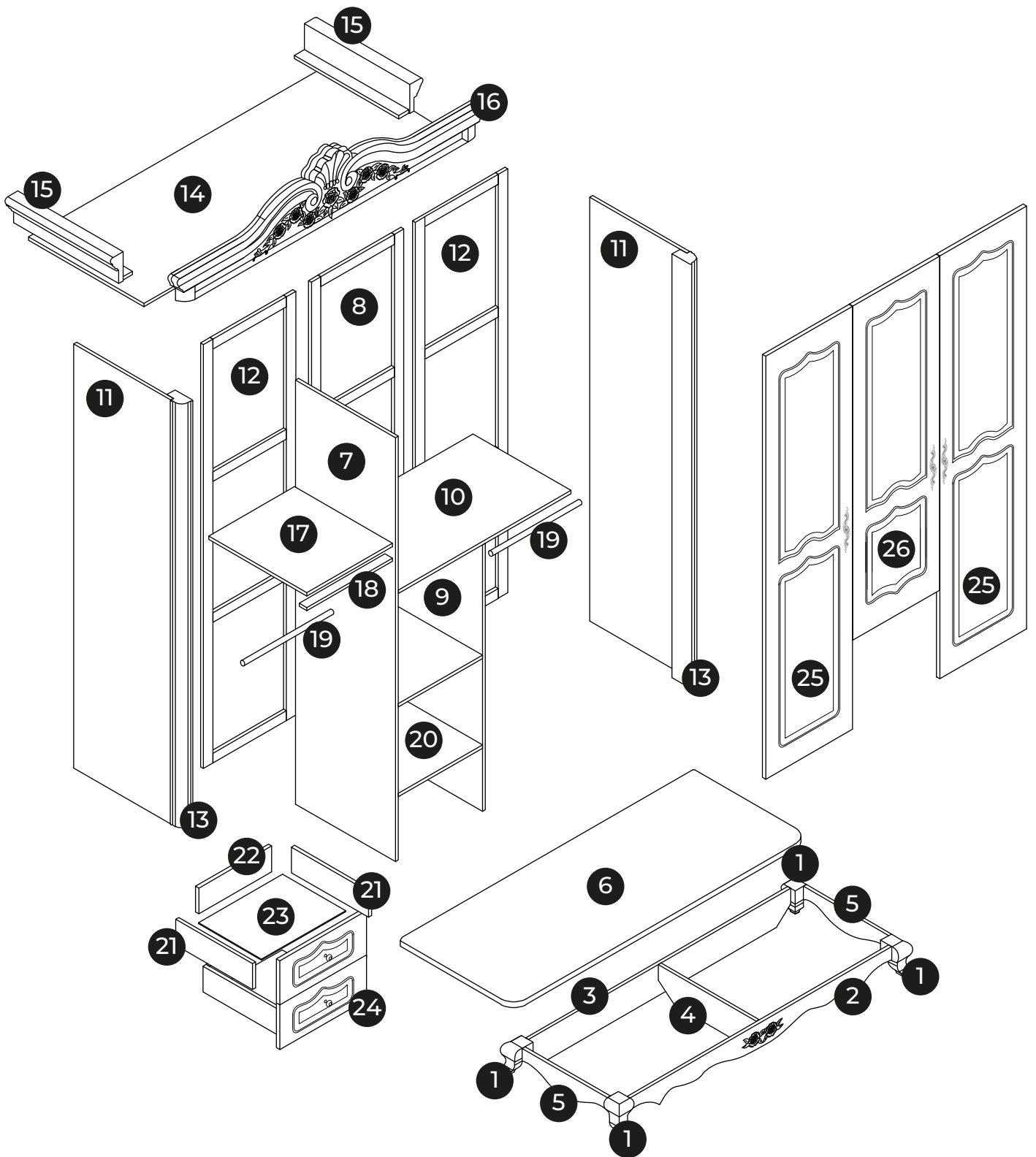


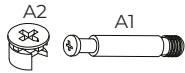
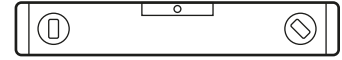
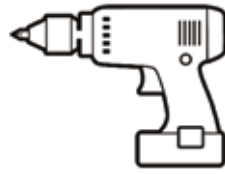
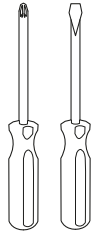
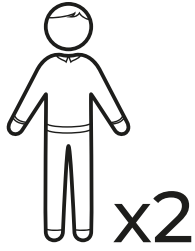
# 962-3

1569 x 590 x 2410 mm



**BEMONDI**





**A x 69**  
Ø 15 mm



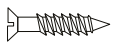
**B x 26**  
Ø 8 x 30 mm



**C x 32**  
Ø 3.5 x 15 mm



**D x 8**  
Ø 3.5 x 35 mm



**E x 6**  
Ø 3.5 x 25 mm



**F x 3**



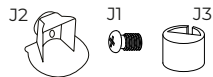
**G x 2**



**H x 5**  
Ø 4 x 25 mm



**I x 44**  
Ø 4 x 10 mm



**J x 16**



**K x 3**  
Ø 60 mm



**L x 4**



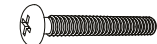
**M x 3**



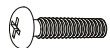
**N x 8**



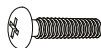
**O x 2**  
17 x 17 x 26 mm



**P x 4**  
Ø 8 x 45 mm



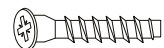
**Q x 8**  
Ø 6 x 45 mm



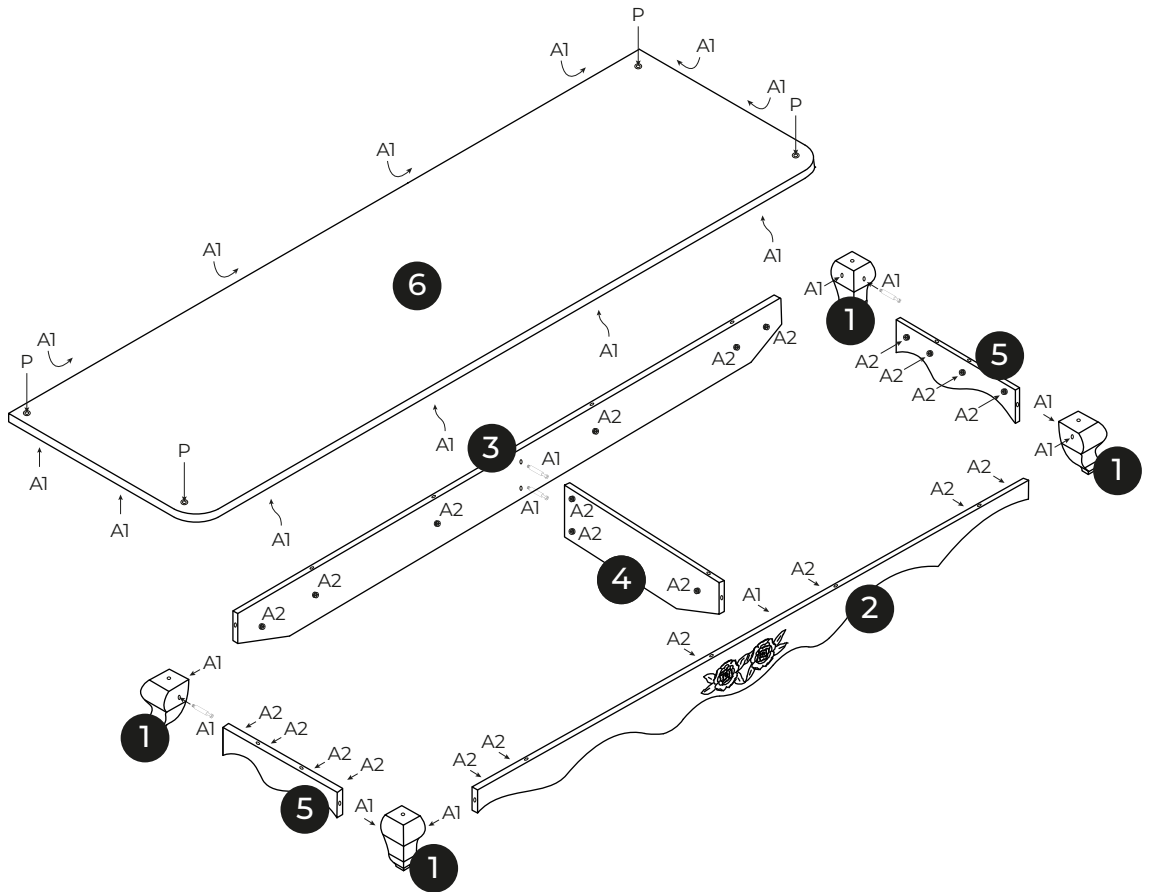
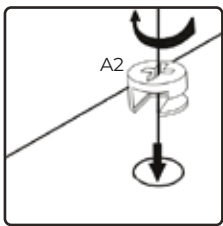
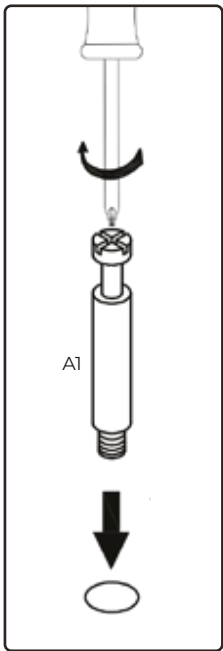
**R x 2**  
Ø 6 x 20 mm


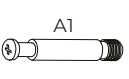


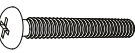
**S x 4**  
300 x 35 mm



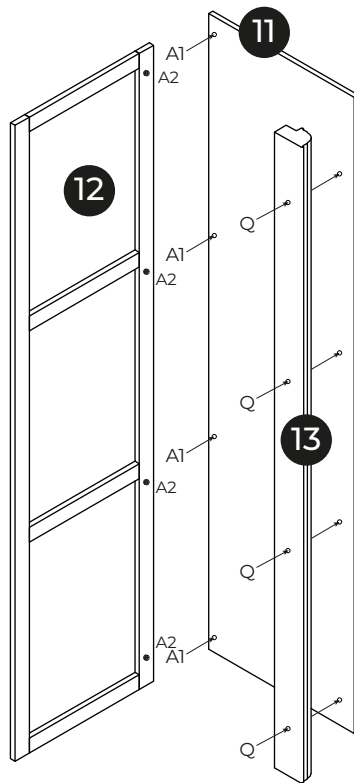
**T x 3**  
Ø 7 x 38 mm



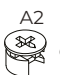
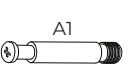
A   x23

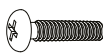
P  x4

1

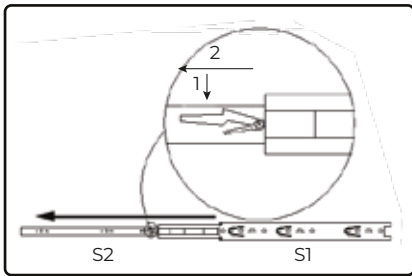


x2

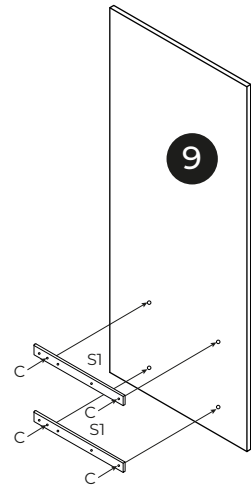
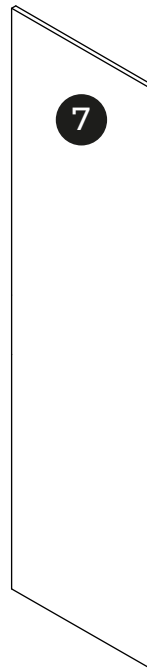
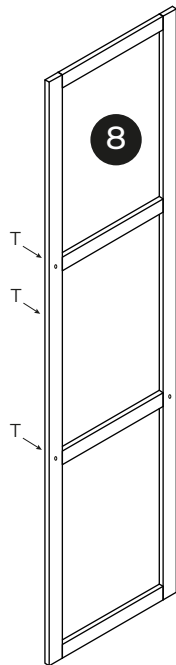
A   x8

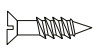
Q  x8

2



x4

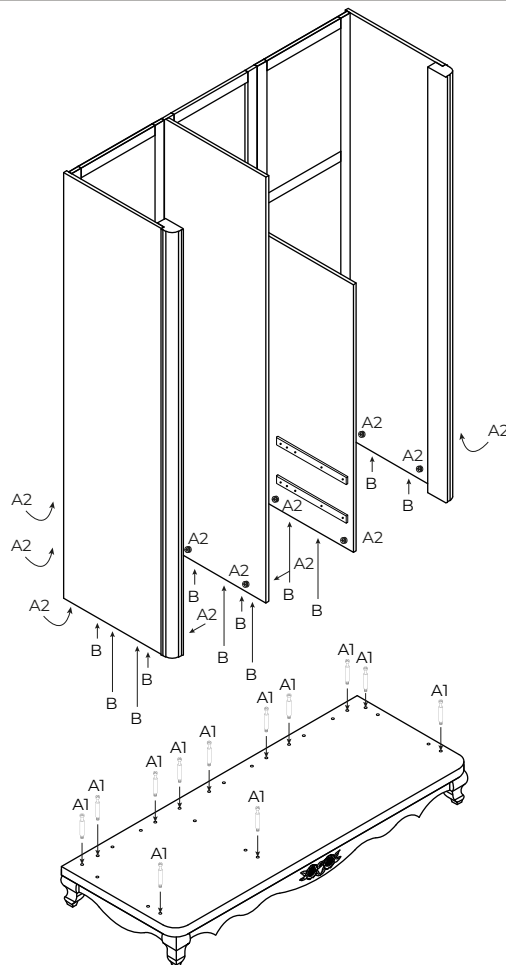




C  x8

T  x3

S1  x4

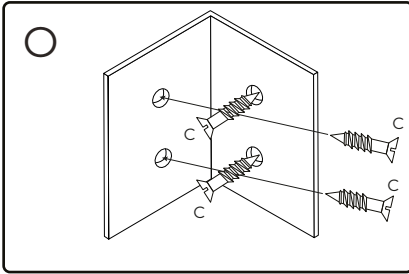
3



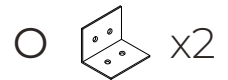
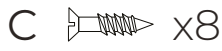
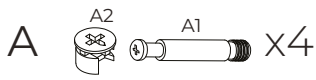
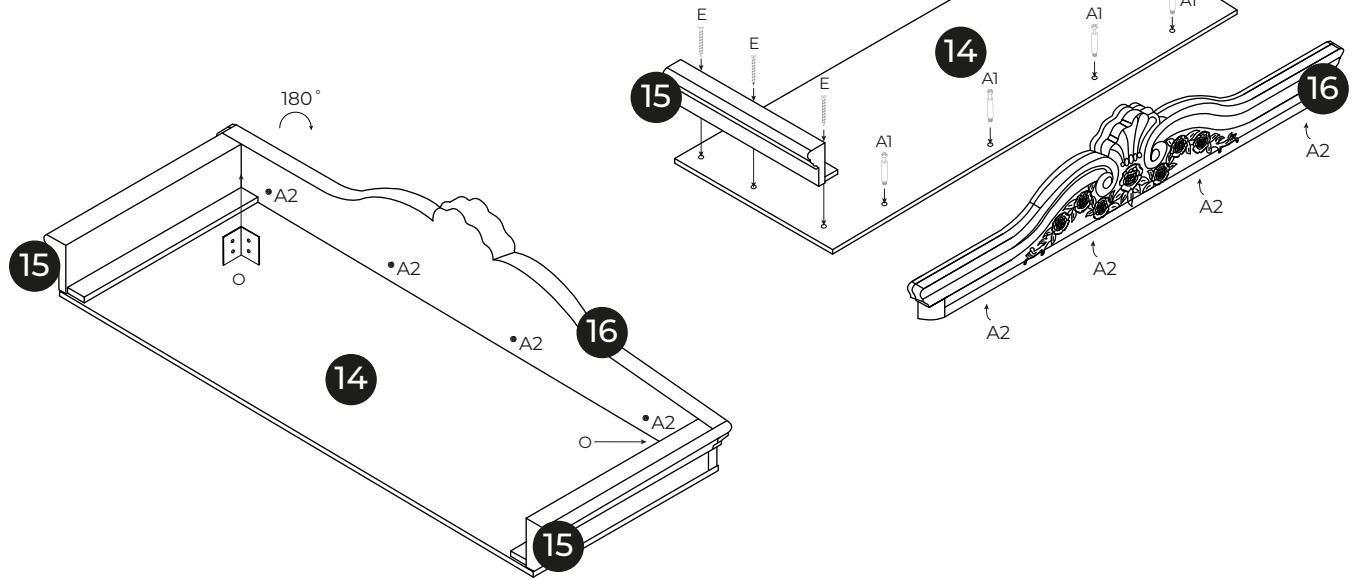
A  A2  A1 x12

B  x12

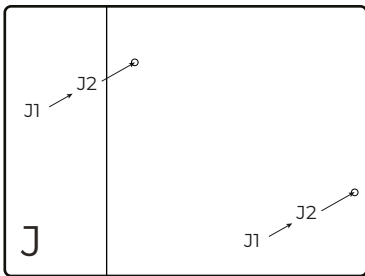
4



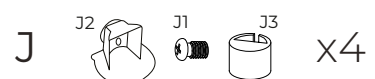
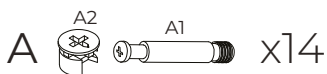
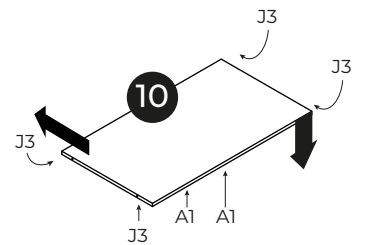
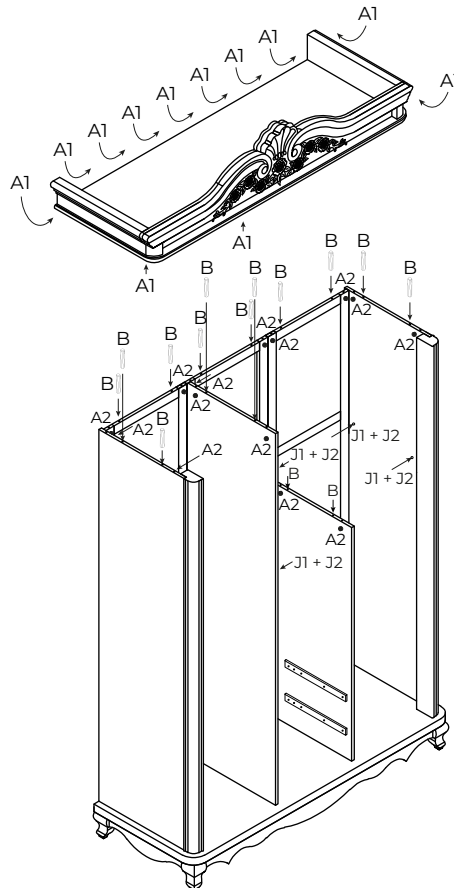
x2



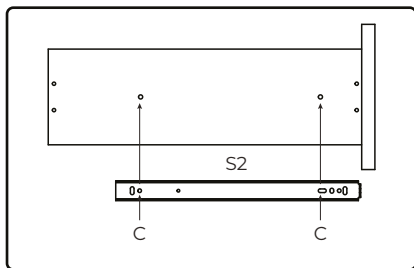
5



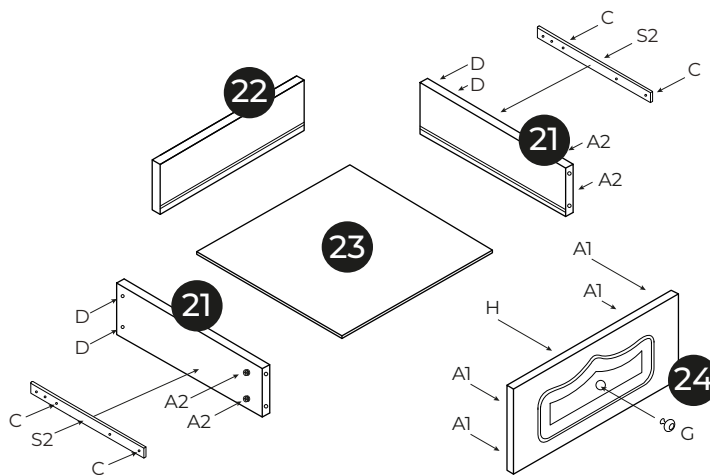
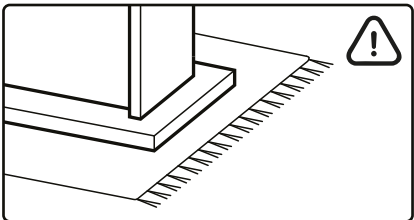
x20



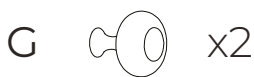
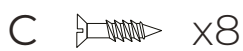
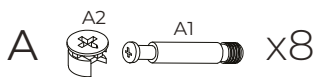
6



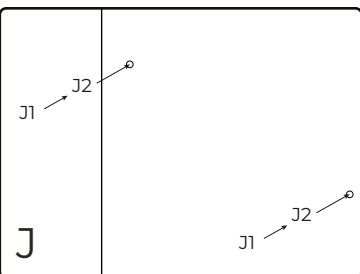
x2



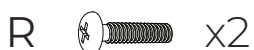
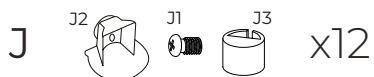
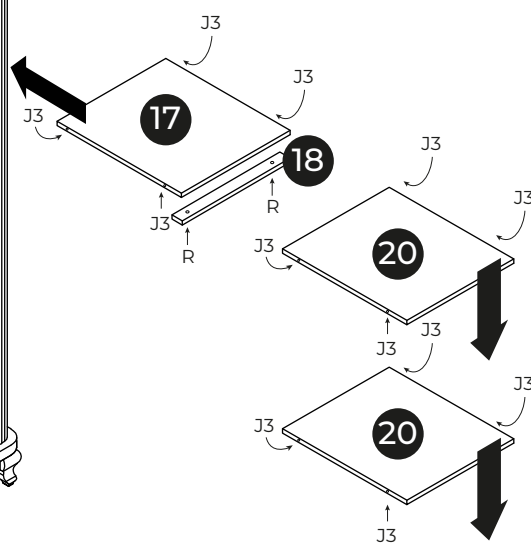
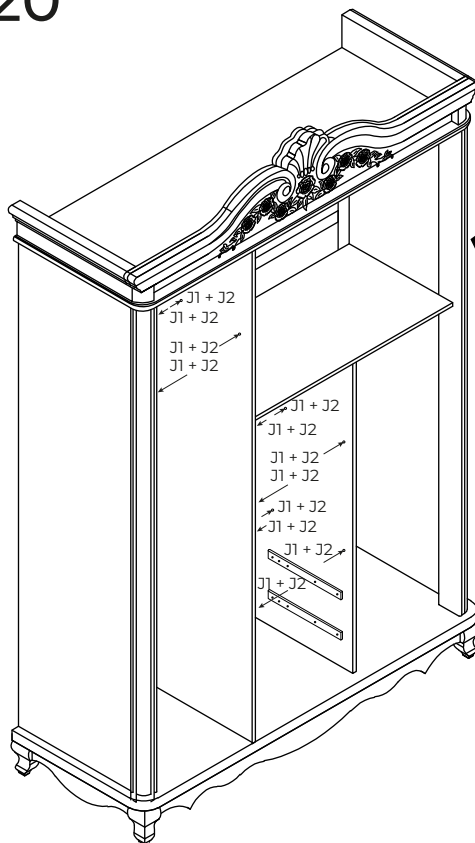
x2



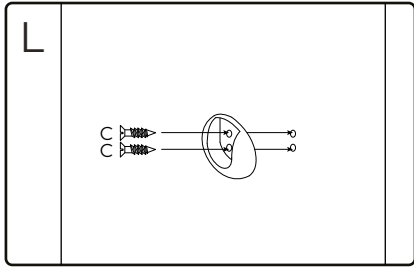
7



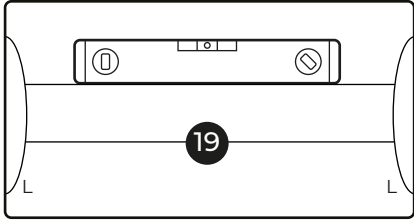
x20



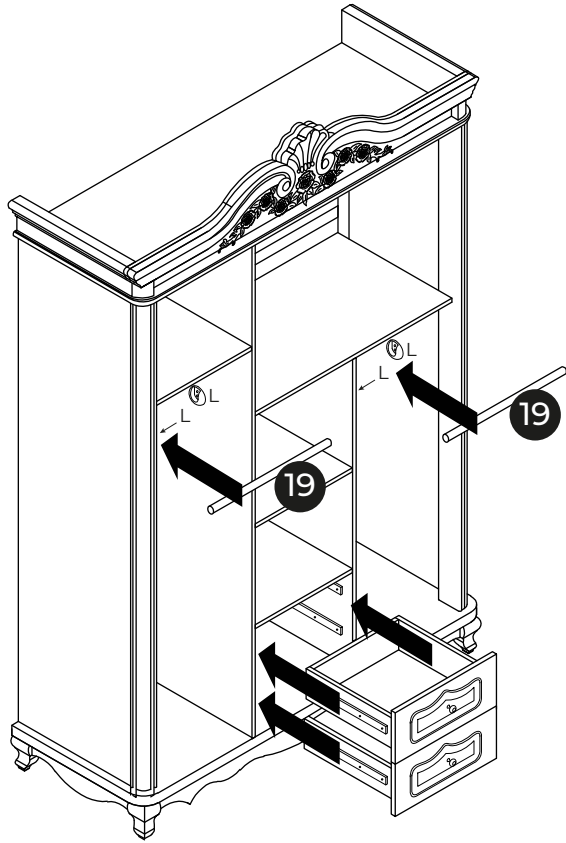
8

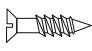


x4



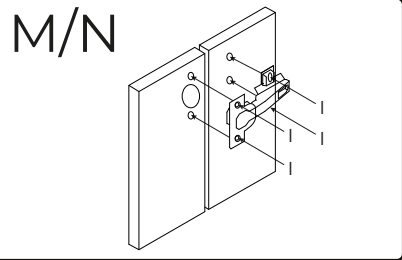
19



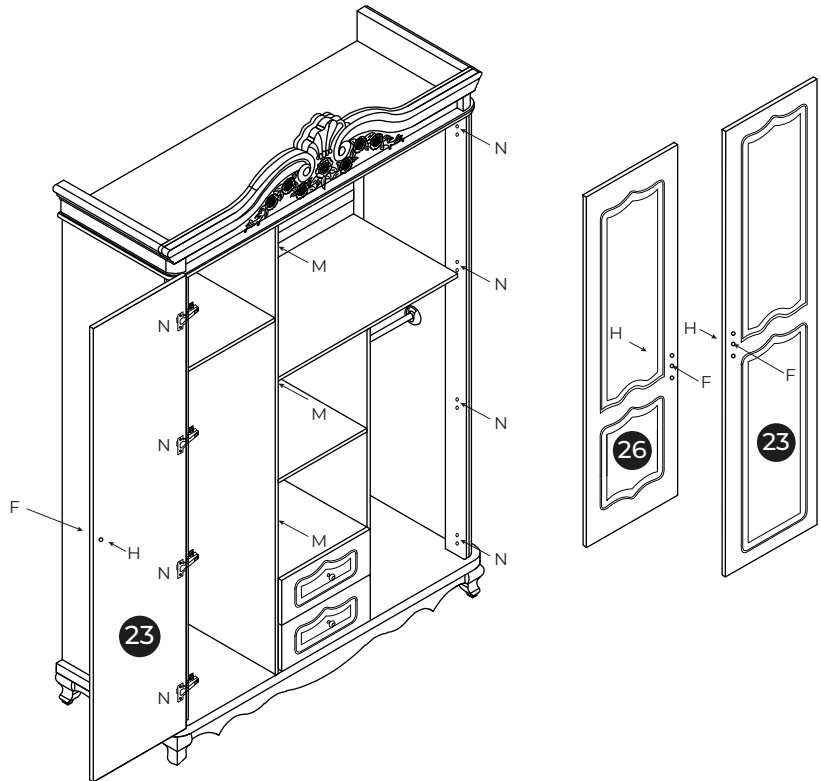
C  x8

L  x4

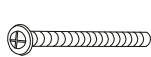
9




x11



F  x3

H  x3

I  x44

M  x3

N  x8

10



