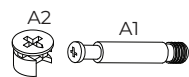
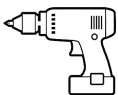
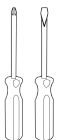
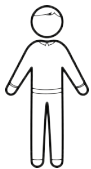
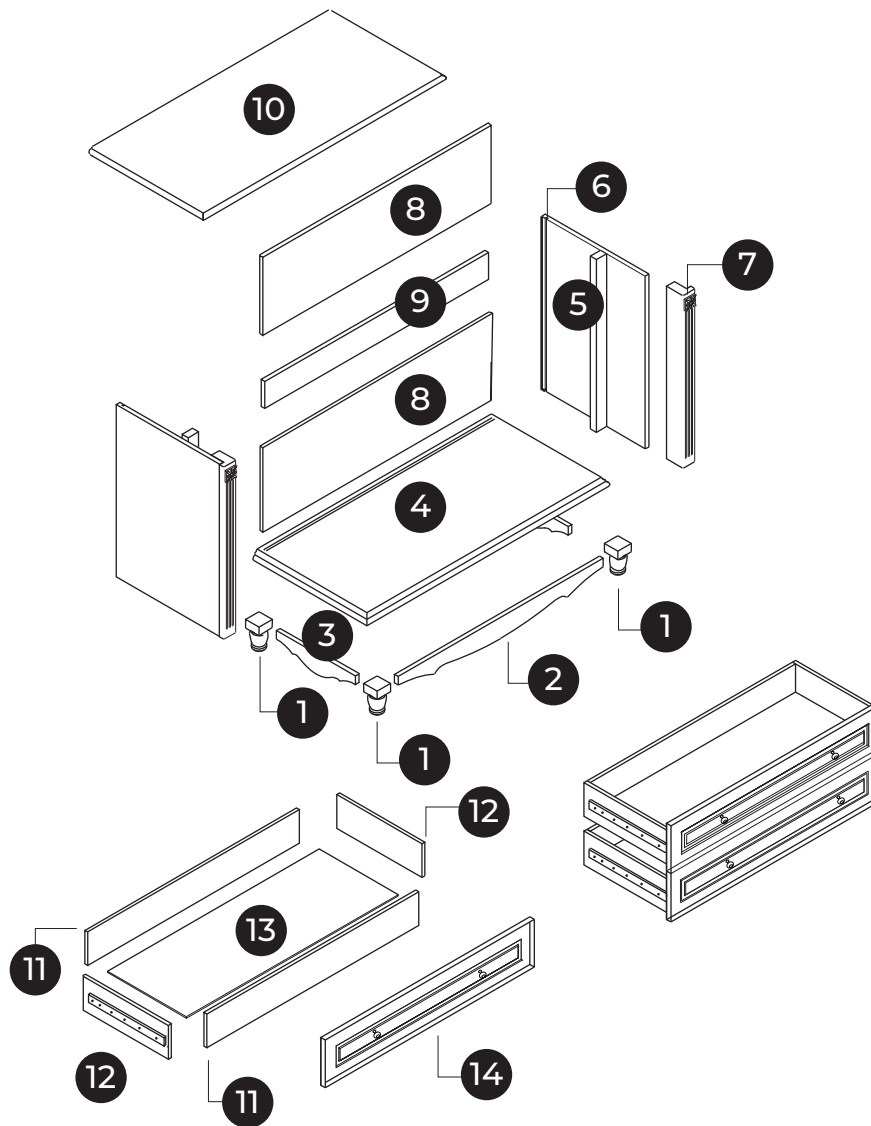


# 836-3

1000 x 470 x 780 mm



**BEMONDI**



**A** x25  
 Ø 15 mm



**B** x8  
 Ø 8 x 30 mm



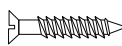
**C** x12  
 Ø 3,5 x 12 mm



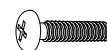
**D** x6  
 Ø 4 x 22 mm



**E** x8  
 Ø 6 x 45 mm



**F** x24  
 Ø 3,5 x 30 mm



**G** x9  
 Ø 6 x 20 mm



**H** x12  
 Ø 3,5 x 15 mm



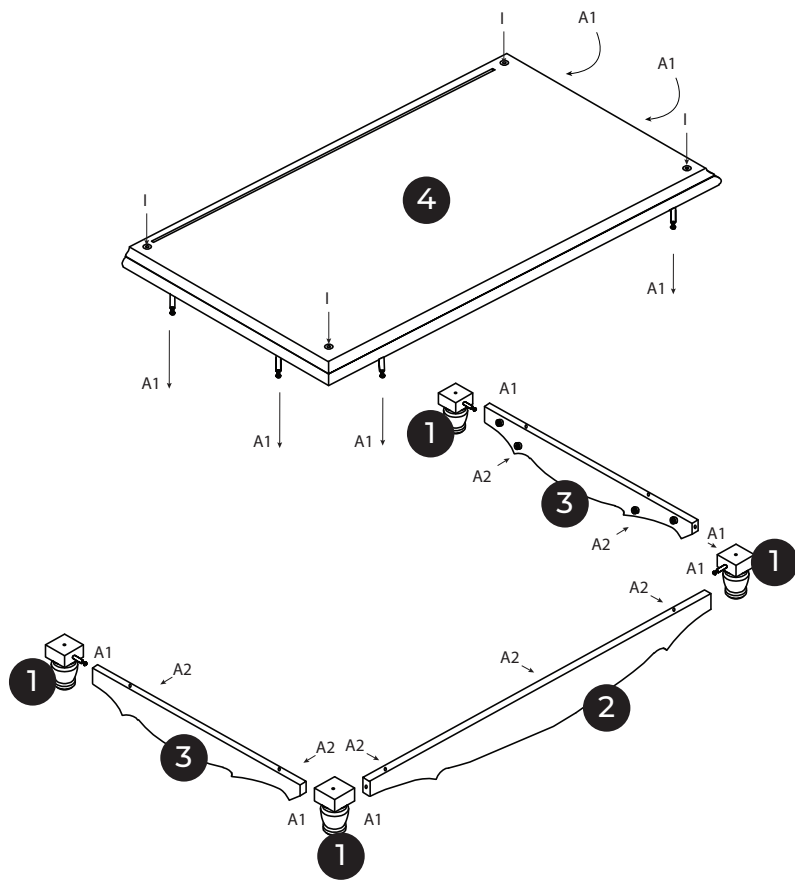
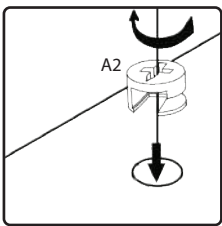
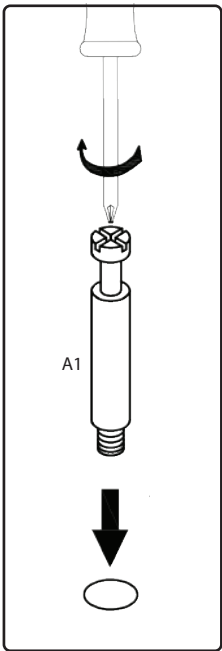
**I** x4  
 Ø 8 x 50 mm





**J** x6



**S** x6  
 300 x 35 mm

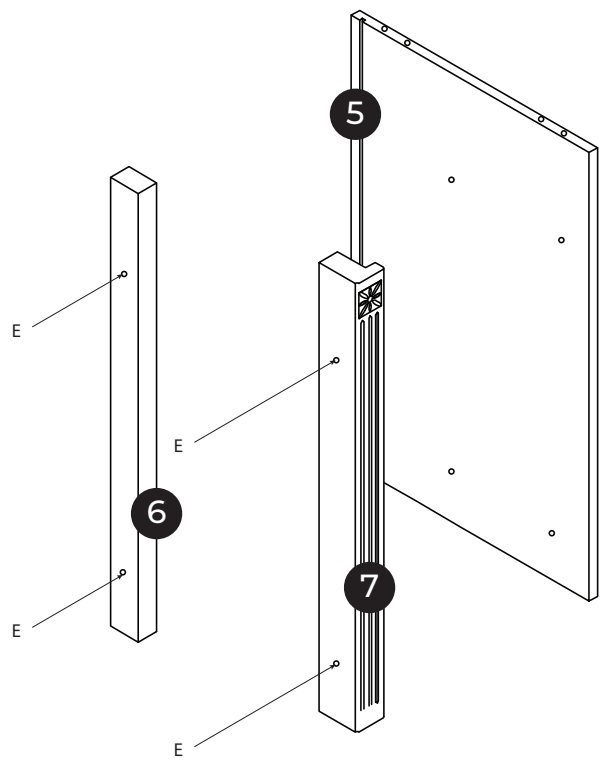


A   x13

I  x4

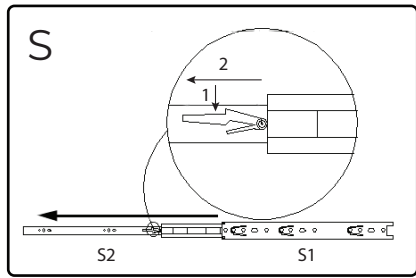
1

x2

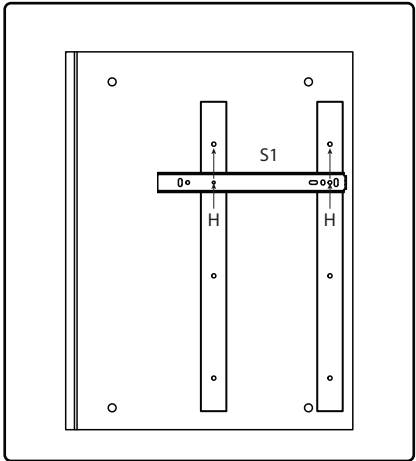


E  x8

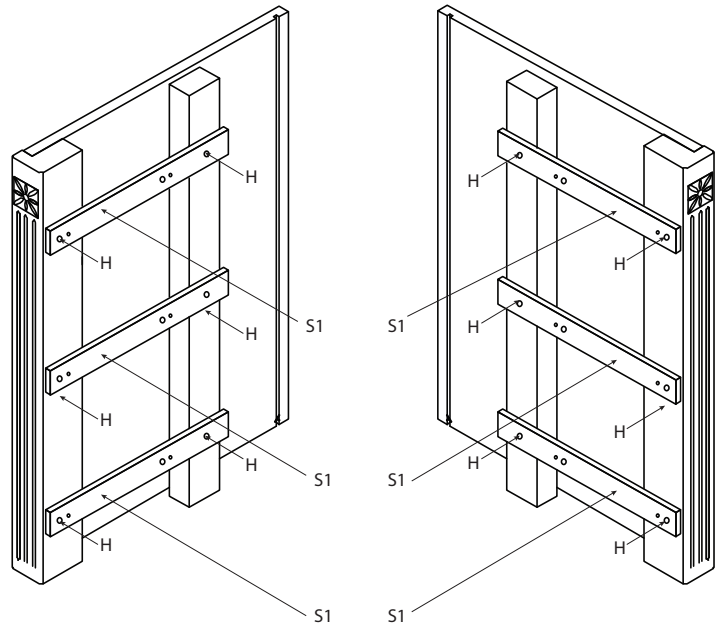
2

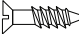


x6



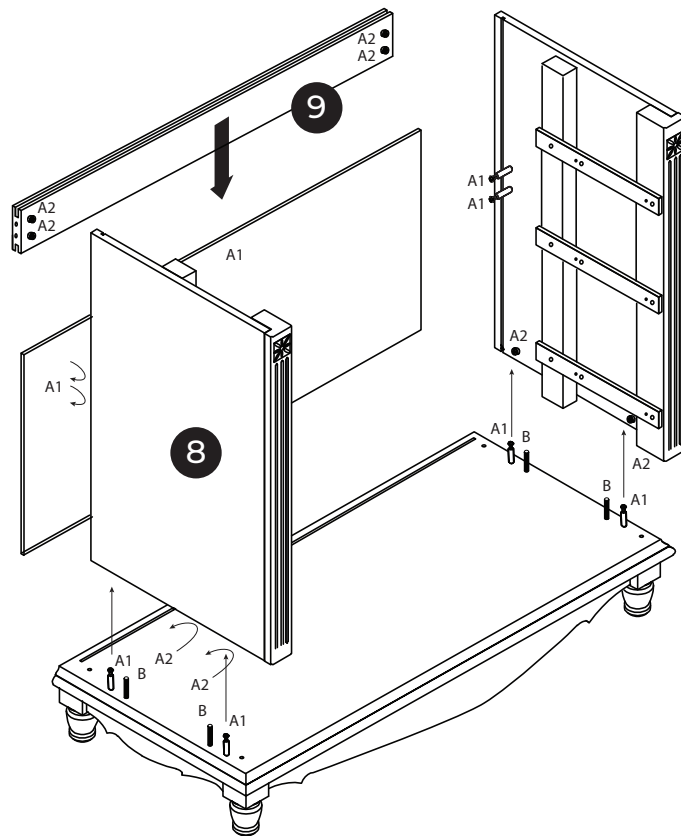
x6





H  x12

S1  x6

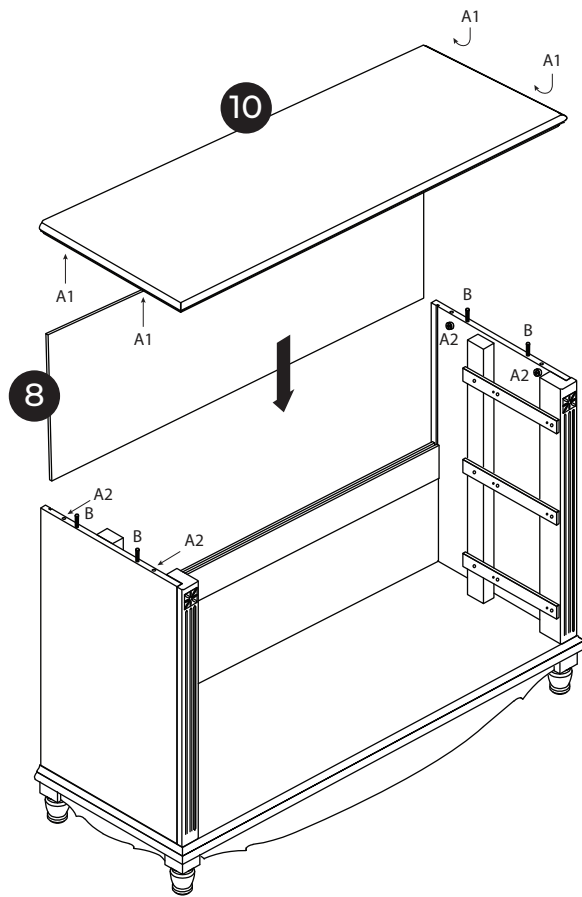
3





A   x8

B  x4

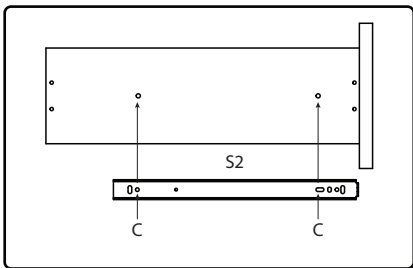
4



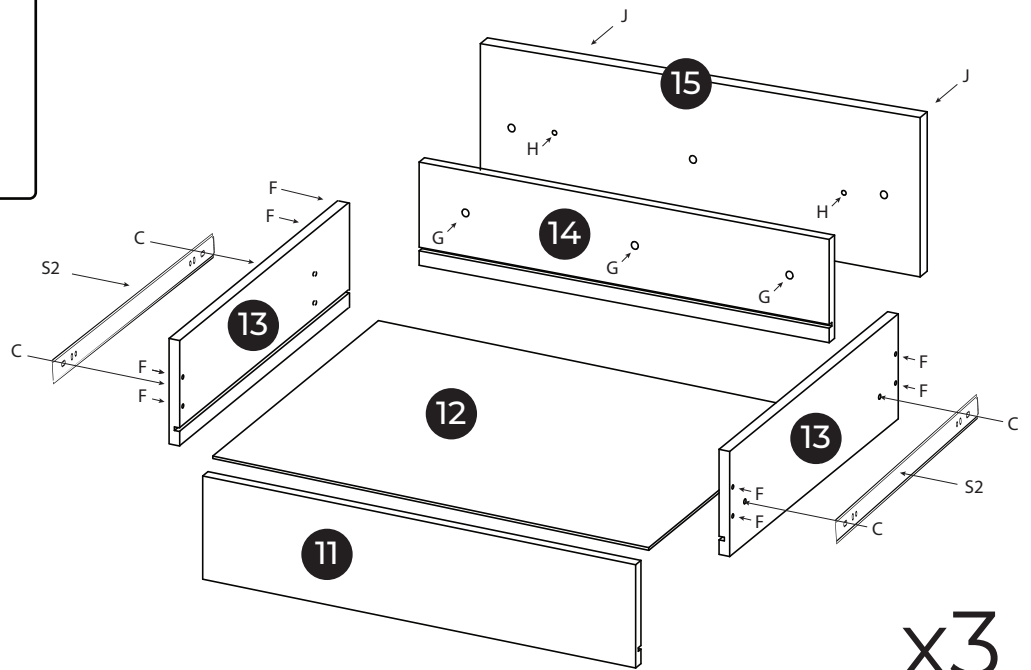
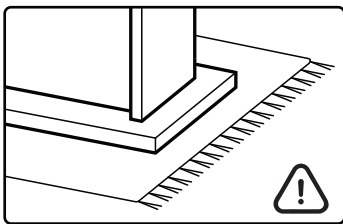
A   x4

B  x4

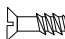
5




x6

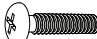


x3

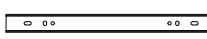
C  x12

D  x6

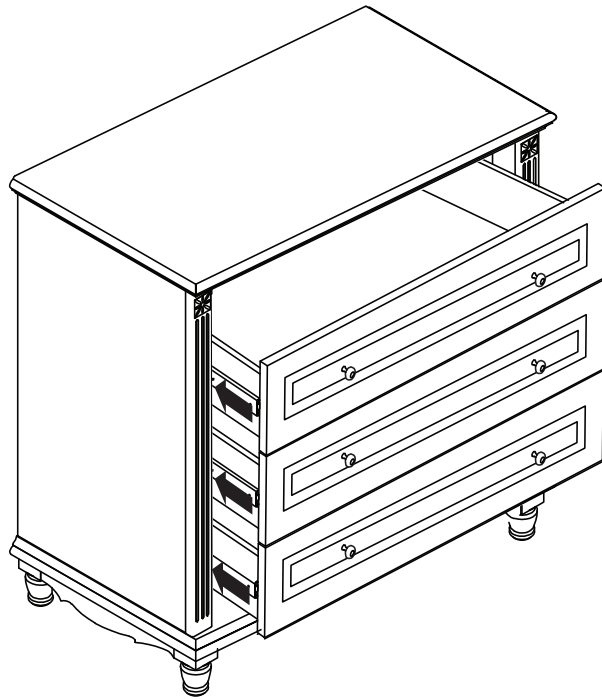
F  x24

G  x9

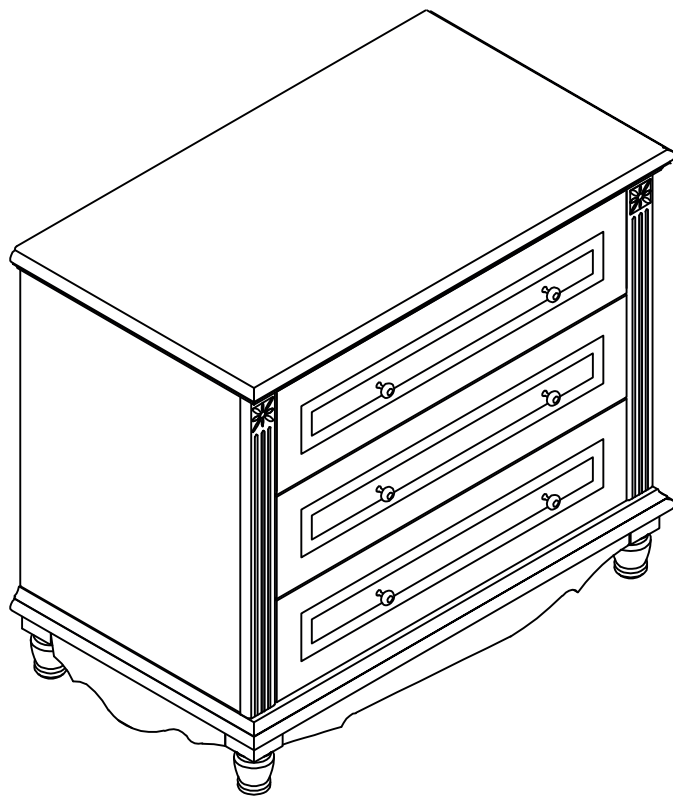
J  x6

S2  x6

6



7



8